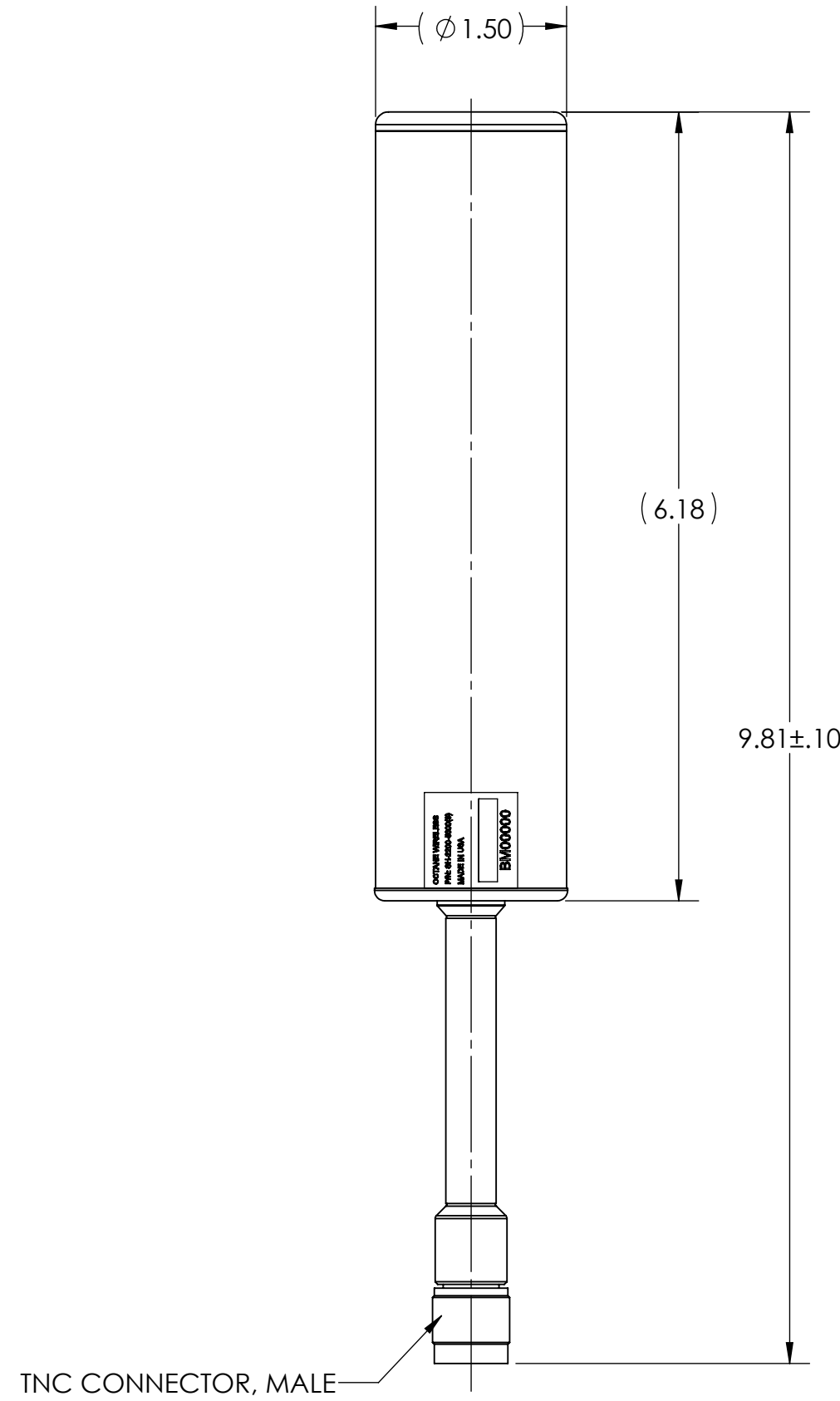


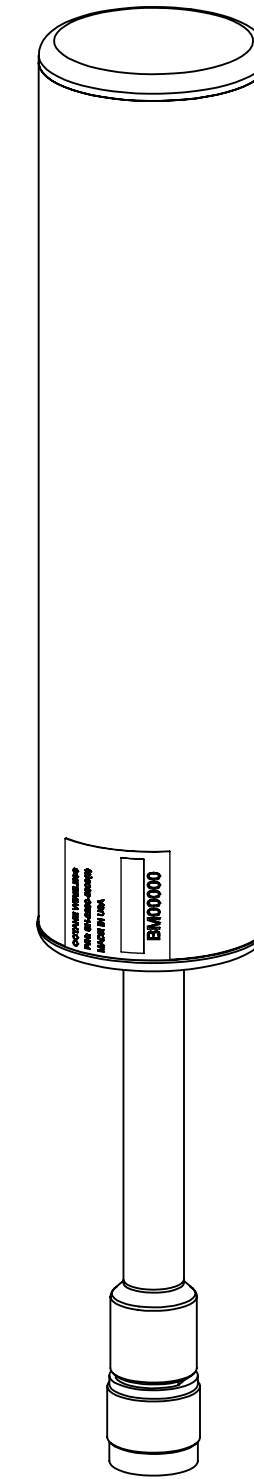
NOTES:

1. OCTANE P/N: 104112-001
2. TRACEABILITY: OCTANE S/N
3. ALL DIMENSIONS IN PARENTHESES ( ) ARE REFERENCE ONLY.
6. PART MARKING: OCTANE MODEL NUMBER LABEL
5. FREQUENCY RANGE: 2200-2500/4400-5000 MHz.
6. WEIGHT: 6.7 OZ

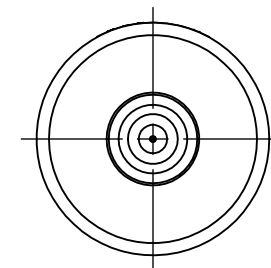
REVISIONS			
REV.	DESCRIPTION	DATE	DONE
A	INITIAL RELEASE	06/17/2025	YP
B	UPDATED	09/25/2025	YP



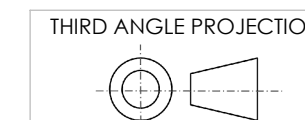
FRONT VIEW



ISO VIEW



BOTTOM VIEW



THIRD ANGLE PROJECTION

**PROPRIETARY AND CONFIDENTIAL**  
THE INFORMATION CONTAINED IN THIS DRAWING IS THE SOLE PROPERTY OF OCTANE WIRELESS. ANY REPRODUCTION IN PART OR AS A WHOLE WITHOUT THE WRITTEN PERMISSION OF OCTANE WIRELESS IS PROHIBITED.

UNLESS OTHERWISE SPECIFIED:	NAME	DATE
DIMENSIONS ARE IN INCHES	DRAWN YP	06/17/2025
TOLERANCES:	CHECKED AR	10/13/2025
TWO PLACE DECIMAL ±.010	ENG APPR. DN	10/13/2025
THREE PLACE DECIMAL ±.005	MFG APPR. AF	10/13/2025
ANGULAR ±1°	COMMENTS:	
MATERIAL	SEE NOTES	
FINISH	SEE NOTES	
DO NOT SCALE DRAWING		

OCTANE WIRELESS 1340 CHARWOOD ROAD, SUITE L HANOVER, MD 21076		
TITLE: ASSEMBLY, SPRING BASE ANTENNA, DUAL BAND, 2200-2500/4400-5000 MHz, H-POL, 3 dBi, TNC MALE CONNECTOR		
SIZE	DWG. NO.	REV
<b>C</b>	SH-2200-5000(3)	<b>B</b>
SHEET SCALE 4:5		SHEET 1 OF 1