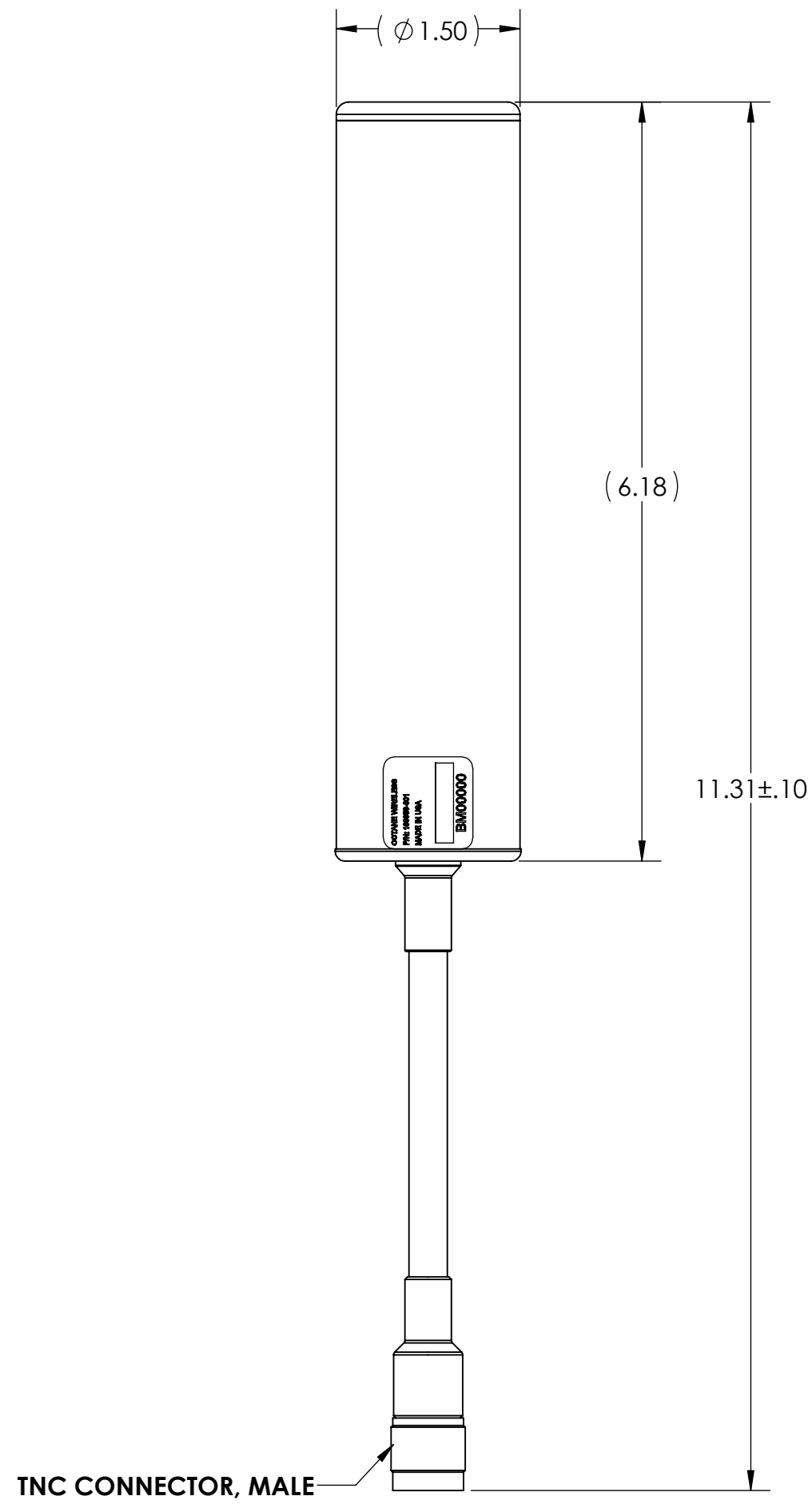


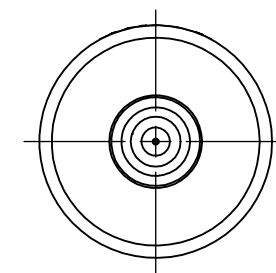
NOTES:

1. OCTANE P/N: 104113-001
2. TRACEABILITY: OCTANE S/N
3. ALL DIMENSIONS IN PARENTHESES ( ) ARE REFERENCE ONLY.
6. PART MARKING: OCTANE MODEL NUMBER LABEL
5. FREQUENCY RANGE: 2200-2500/4400-5000 MHz.
6. WEIGHT: 7.1 OZ

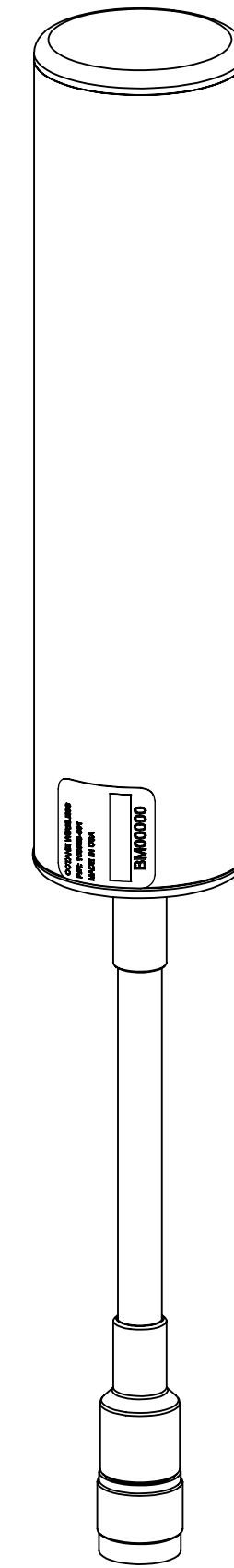
REVISIONS			
REV.	DESCRIPTION	DATE	DONE
A	INITIAL RELEASE	06/19/2025	YP
B	UPDATED	09/20/2025	YP



FRONT VIEW



BOTTOM VIEW



ISO VIEW

THIRD ANGLE PROJECTION

**PROPRIETARY AND CONFIDENTIAL**  
 THE INFORMATION CONTAINED IN THIS DRAWING IS THE SOLE PROPERTY OF OCTANE WIRELESS. ANY REPRODUCTION IN PART OR AS A WHOLE WITHOUT THE WRITTEN PERMISSION OF OCTANE WIRELESS IS PROHIBITED.

UNLESS OTHERWISE SPECIFIED:	NAME	DATE
DIMENSIONS ARE IN INCHES	DRAWN YP	09/20/2025
TOLERANCES:	ME CHECKED JA	01/23/2026
TWO PLACE DECIMAL ±.010	ENG CHECKED AF	02/03/2026
THREE PLACE DECIMAL ±.005	ENG APPR. DN	01/04/2026
ANGULAR ±1°	MFG APPR. AR	01/24/2026
MATERIAL	COMMENTS:	
SEE NOTES		
FINISH		
SEE NOTES		
DO NOT SCALE DRAWING		

OCTANE WIRELESS 1340 CHARWOOD ROAD, SUITE L HANOVER, MD 21076		
TITLE: ASSEMBLY, GOOSENECK ANTENNA, DUAL BAND, 2200-2500/4400-5000 MHz, H-POL, 3 dBi, TNC MALE CONNECTOR		
SIZE	DWG. NO.	REV
<b>C</b>	GH-2200-5000(3)	<b>B</b>
SHEET SCALE 4:5		SHEET 1 OF 1