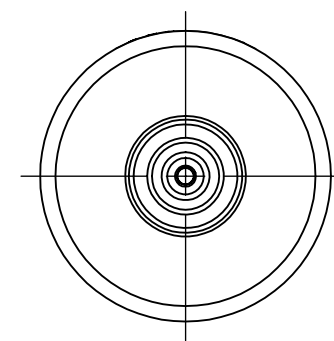
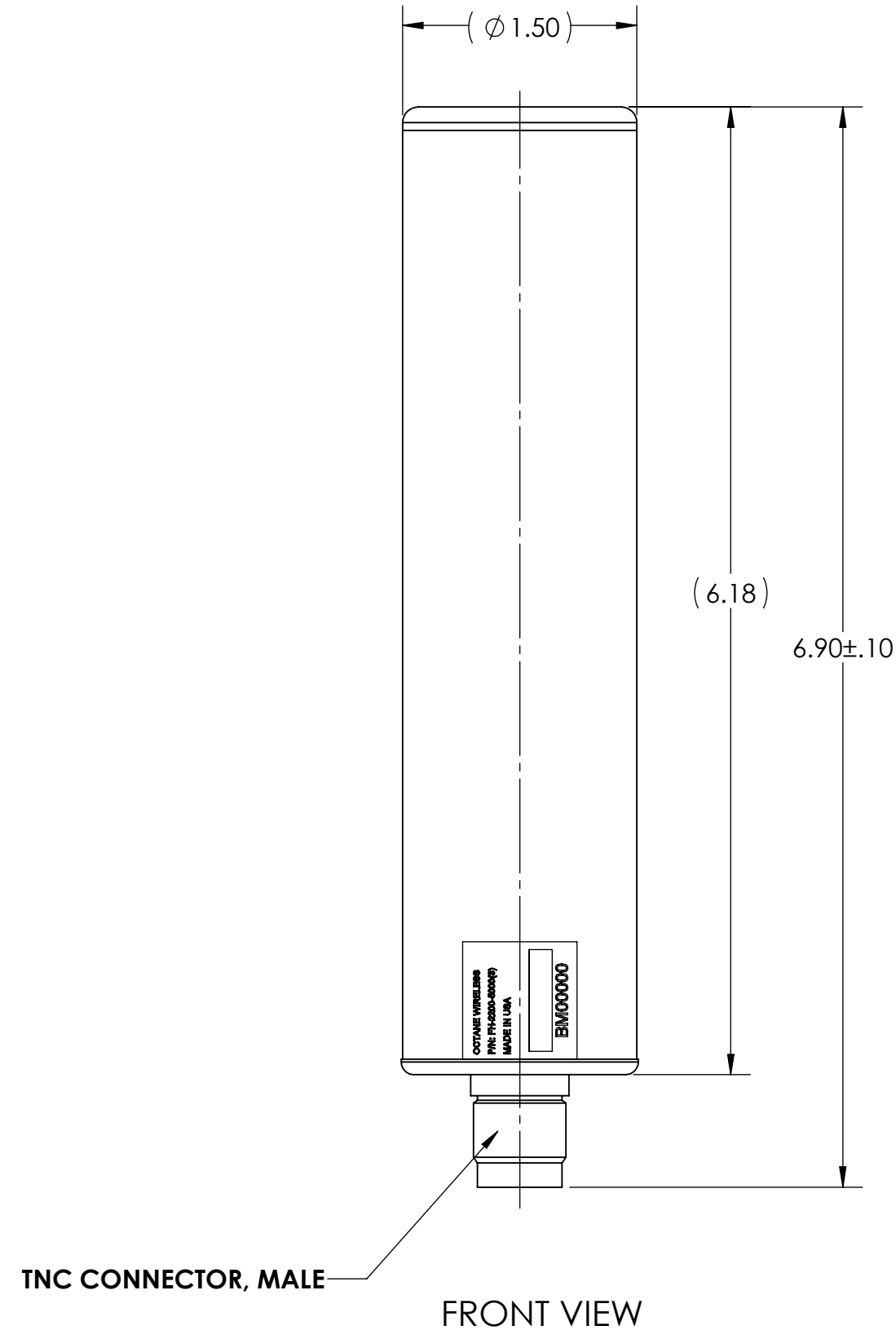


NOTES:

1. OCTANE P/N: 104015-001
2. TRACEABILITY: OCTANE S/N
3. ALL DIMENSIONS IN PARENTHESES () ARE REFERENCE ONLY.
4. PART MARKING: OCTANE MODEL NUMBER LABEL
5. FREQUENCY RANGE: 2200-2500/4400-5000 MHz
6. WEIGHT: 6.6 OZ

REVISIONS			
REV.	DESCRIPTION	DATE	DONE
A	INITIAL RELEASE	10/29/2024	DJD
B	UPDATED TO 104015-001	05/28/2025	YP
C	UPDATED	09/20/2025	YP



<p>THIRD ANGLE PROJECTION</p> <p>PROPRIETARY AND CONFIDENTIAL THE INFORMATION CONTAINED IN THIS DRAWING IS THE SOLE PROPERTY OF OCTANE WIRELESS. ANY REPRODUCTION IN PART OR AS A WHOLE WITHOUT THE WRITTEN PERMISSION OF OCTANE WIRELESS IS PROHIBITED.</p>	UNLESS OTHERWISE SPECIFIED:	NAME	DATE	<p>OCTANE WIRELESS 1340 CHARWOOD ROAD, SUITE L HANOVER, MD 21076</p> <p>TITLE: ASSEMBLY, FIXED ANTENNA, DUAL BAND, 2200-2500/4400-5000 MHz, H-POL, TNC MALE CONNECTOR</p>	
	DIMENSIONS ARE IN INCHES	DRAWN	DJD		12/17/24
	TOLERANCES: TWO PLACE DECIMAL $\pm .010$ THREE PLACE DECIMAL $\pm .005$ ANGULAR $\pm 1^\circ$	CHECKED	AR		10/13/2025
	MATERIAL	ENG APPR.	DN		10/13/2025
FINISH	MFG APPR.	AF	10/13/2025	COMMENTS:	
DO NOT SCALE DRAWING	SEE NOTES				
				<p>SIZE DWG. NO. REV</p> <p>C FH-2200-5000(3) C</p>	
				<p>SHEET SCALE 1:2 SHEET 1 OF 1</p>	