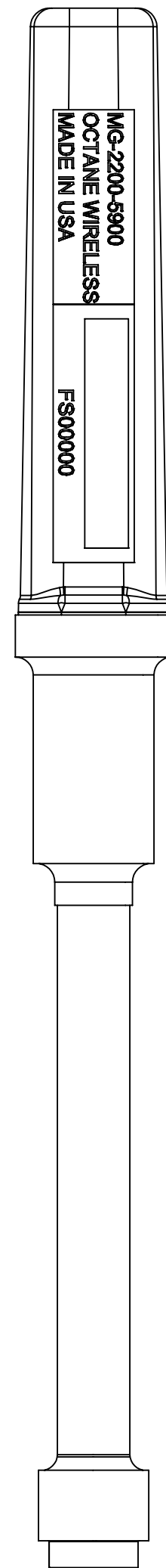


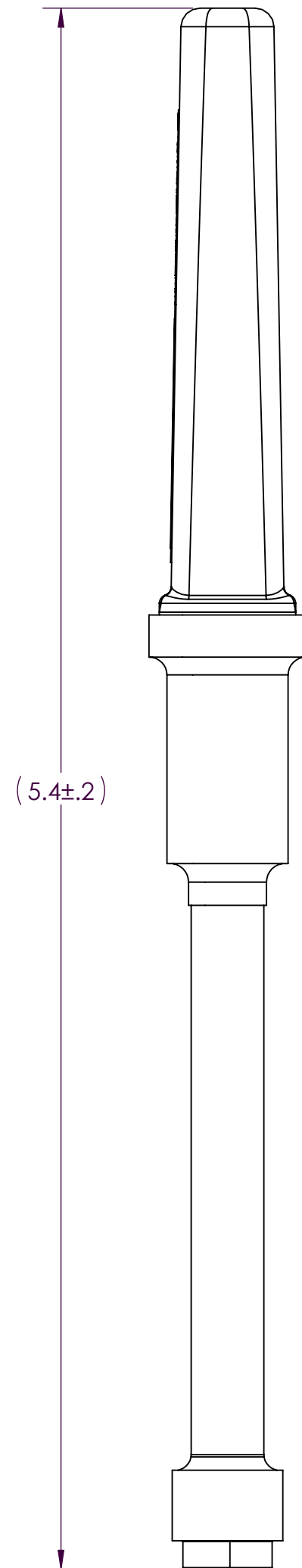
NOTES:

1. OCTANE P/N: 103955
2. TRACEABILITY: OCTANE S/N
3. ALL DIMENSIONS IN PARENTHESES ( ) ARE REFERENCE ONLY.
6. PART MARKING: OCTANE MODEL NUMBER LABEL
5. FREQUENCY RANGE: 2200-5900 MHz
6. WEIGHT: 0.5 OZ

REVISIONS				
ZONE	REV.	DESCRIPTION	DATE	APPROVED
N/A	A	INITIAL RELEASE	03/20/2024	DJD

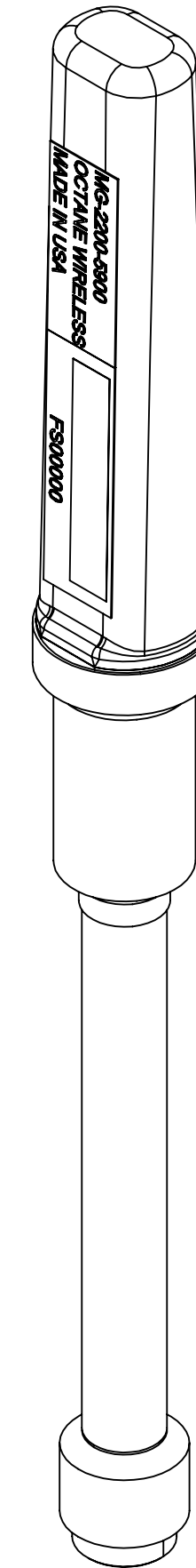


**FRONT VIEW**

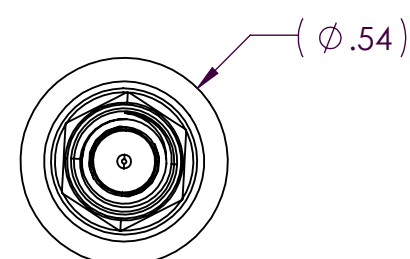


**RIGHT VIEW**

SMA CONNECTOR, MALE



**ISO VIEW**



**BOTTOM VIEW**

THIRD ANGLE PROJECTION

PROPRIETARY AND CONFIDENTIAL  
THE INFORMATION CONTAINED IN THIS DRAWING IS THE SOLE PROPERTY OF OCTANE WIRELESS. ANY REPRODUCTION IN PART OR AS A WHOLE WITHOUT THE WRITTEN PERMISSION OF OCTANE WIRELESS IS PROHIBITED.

UNLESS OTHERWISE SPECIFIED:	NAME	DATE
DIMENSIONS ARE IN INCHES	DRAWN DJD	03/20/24
TOLERANCES:	CHECKED AR	03/20/24
TWO PLACE DECIMAL ±.010	ENG APPR. DN	03/20/24
THREE PLACE DECIMAL ±.005	MFG APPR. AF	03/20/24
ANGULAR ±1°	COMMENTS:	
MATERIAL	SEE NOTES	
FINISH	SEE NOTES	
DO NOT SCALE DRAWING		

OCTANE WIRELESS 1340 CHARWOOD ROAD, SUITE L HANOVER, MD 21076		
TITLE: ASSEMBLY, MINI-GOOSENECK ANTENNA, 2200-5900 MHz, SMA MALE CONNECTOR		
SIZE	DWG. NO.	REV
<b>C</b>	MG-2200-5900	<b>A</b>
SHEET SCALE 2:1		SHEET 1 OF 1