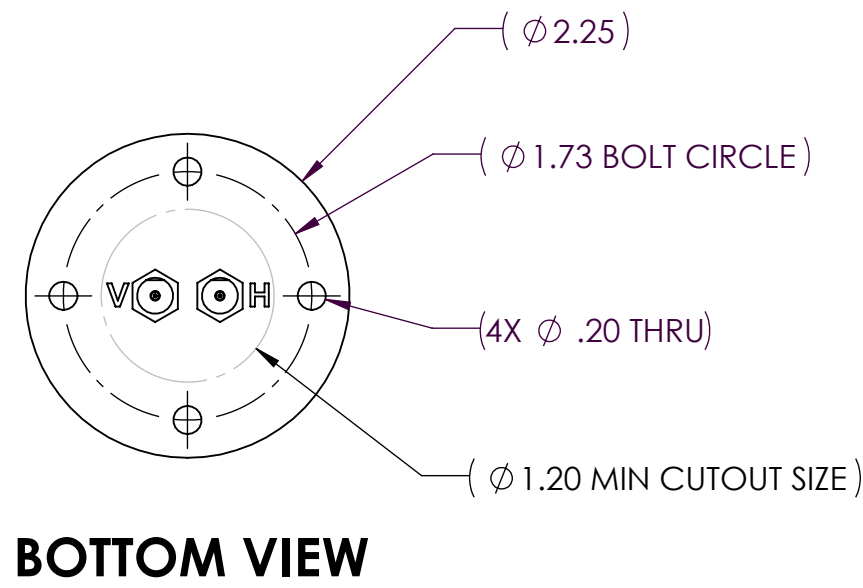


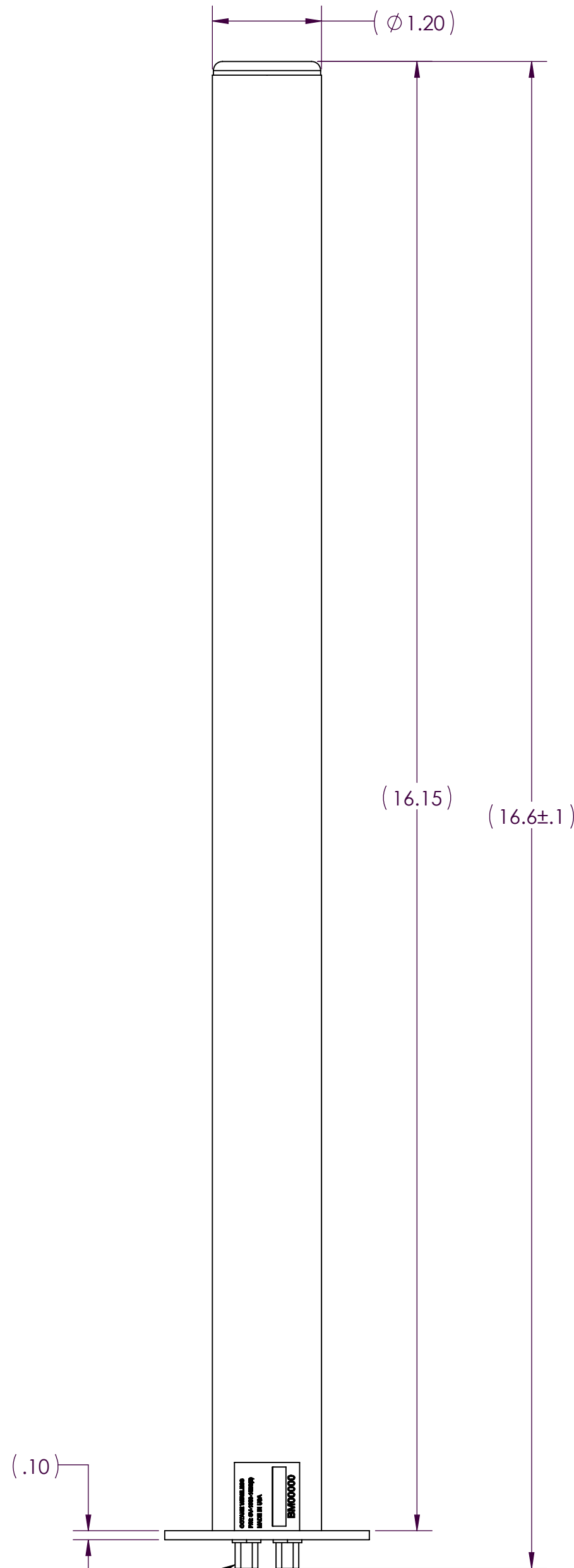
NOTES:

1. OCTANE P/N: 103779
2. TRACEABILITY: OCTANE S/N
3. ALL DIMENSIONS IN PARENTHESES ( ) ARE REFERENCE ONLY.
4. PART MARKING: OCTANE MODEL NUMBER LABEL
5. FREQUENCY RANGE: 2200-2500 MHz
6. WEIGHT: 7.5 OZ

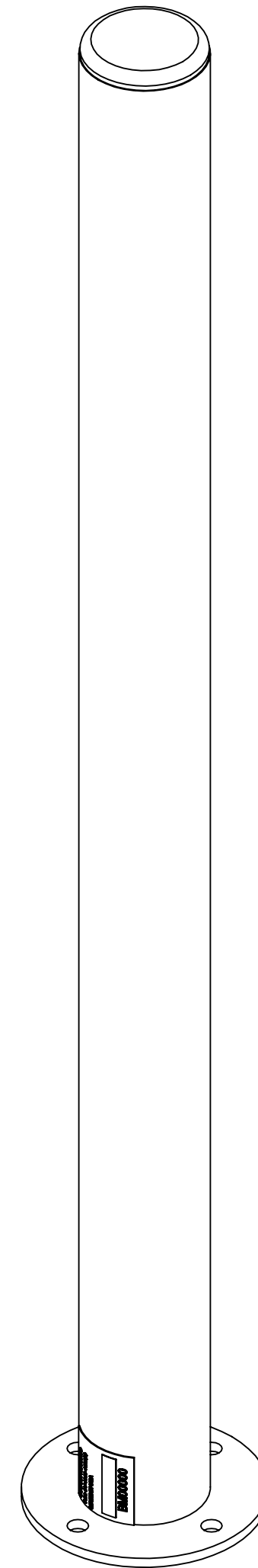
REVISIONS				
ZONE	REV.	DESCRIPTION	DATE	APPROVED
N/A	A	INITIAL RELEASE	2/13/2024	DJD



**BOTTOM VIEW**



**FRONT VIEW**



**ISO VIEW**

**THIRD ANGLE PROJECTION**

**PROPRIETARY AND CONFIDENTIAL**  
 THE INFORMATION CONTAINED IN THIS DRAWING IS THE SOLE PROPERTY OF OCTANE WIRELESS. ANY REPRODUCTION IN PART OR AS A WHOLE WITHOUT THE WRITTEN PERMISSION OF OCTANE WIRELESS IS PROHIBITED.

UNLESS OTHERWISE SPECIFIED:	NAME	DATE
DIMENSIONS ARE IN INCHES	DRAWN DJD	2/13/24
TOLERANCES:	CHECKED AR	2/13/24
TWO PLACE DECIMAL ±.010	ENG APPR. DN	2/13/24
THREE PLACE DECIMAL ±.005	MFG APPR. AF	2/13/24
ANGULAR ±1°	COMMENTS:	
MATERIAL		
SEE NOTES		
FINISH		
SEE NOTES		
DO NOT SCALE DRAWING		

OCTANE WIRELESS 1340 CHARWOOD ROAD, SUITE L HANOVER, MD 21076		
TITLE: VEHICLE ANTENNA, FLANGE BASE, OMNI, DUAL POL, 5 dBi, 2.2-2.5 GHz, DUAL SMA FEMALE CONNECTOR		
SIZE	DWG. NO.	REV
<b>C</b>	VMVH-2200-2500	<b>A</b>
SHEET SCALE 3:4		SHEET 1 OF 1