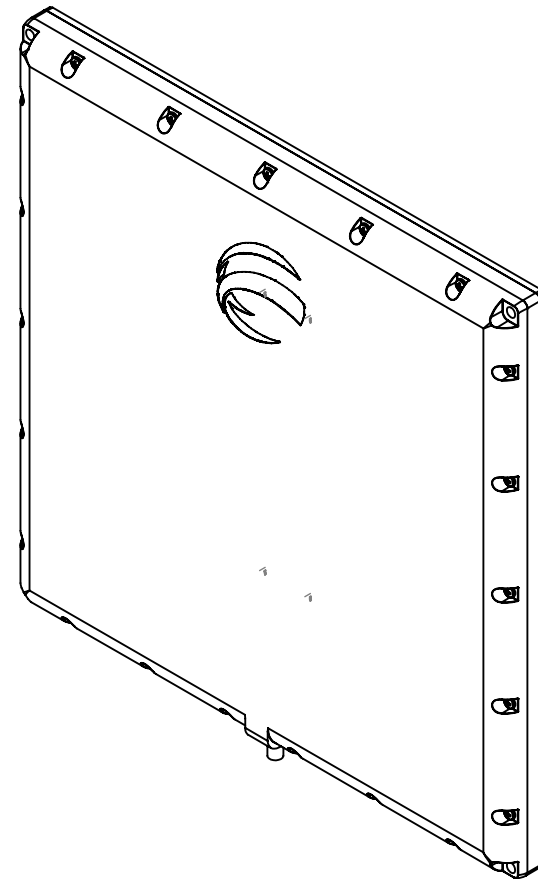


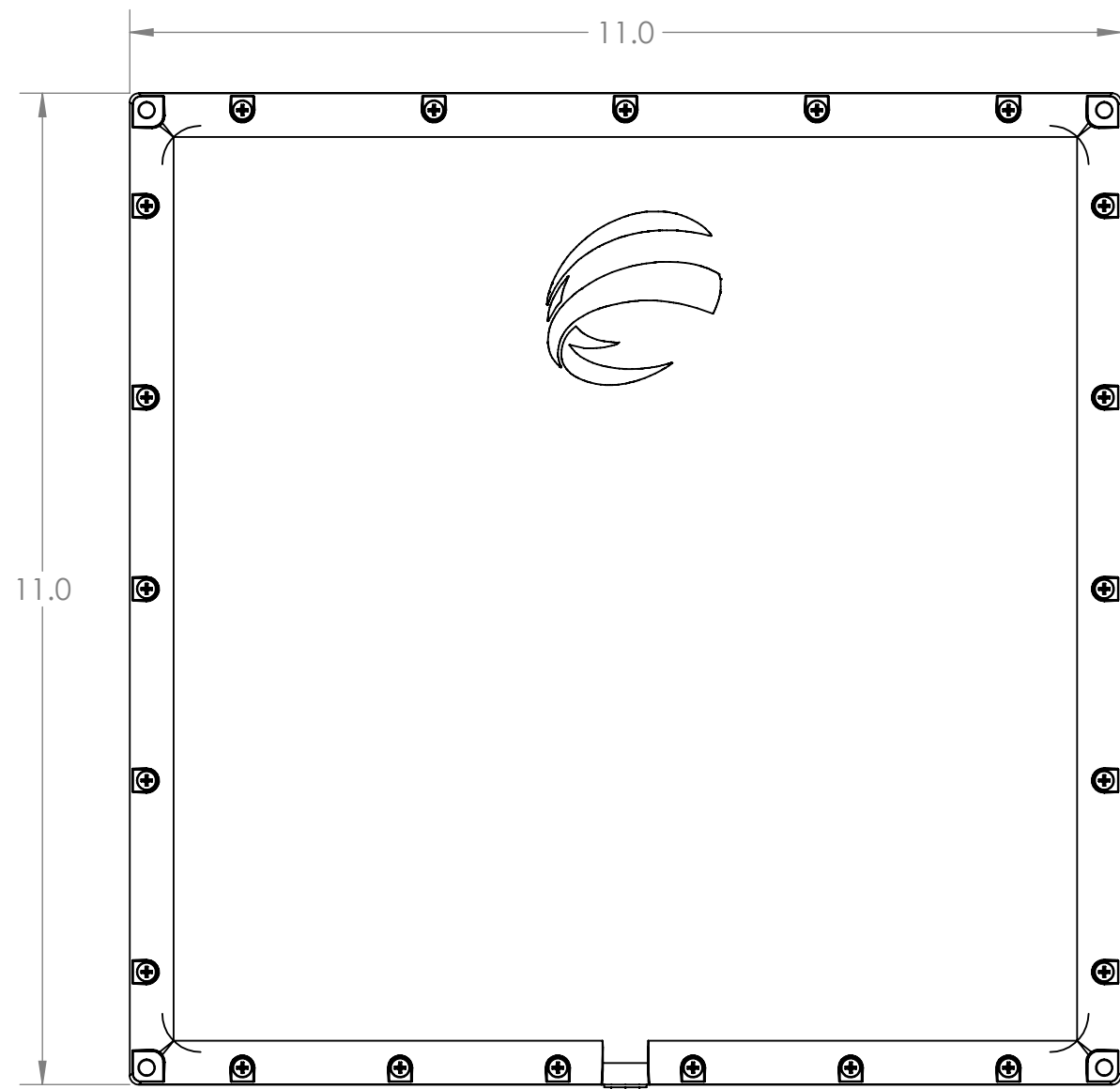
NOTES:

1. OCTANE P/N: 103695
2. TRACEABILITY: OCTANE S/N
3. ALL DIMENSIONS IN PARENTHESES ( ) ARE REFERENCE ONLY.
4. PART MARKING: OCTANE MODEL NUMBER LABEL
5. FREQUENCY RANGE: 600-4200 MHz
6. WEIGHT: 2 LBS 9.5 OZ

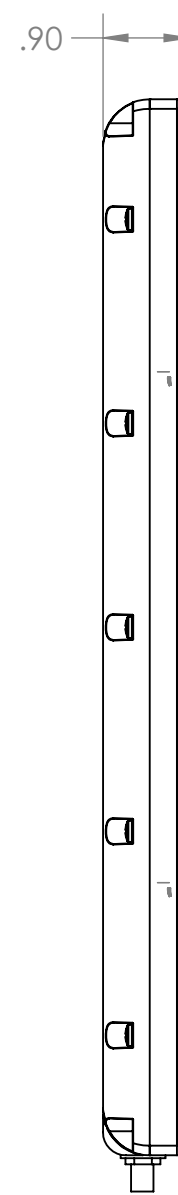
REVISIONS				
ZONE	REV.	DESCRIPTION	DATE	APPROVED
N/A	A	DWG RELEASE	12/9/2022	CLQ



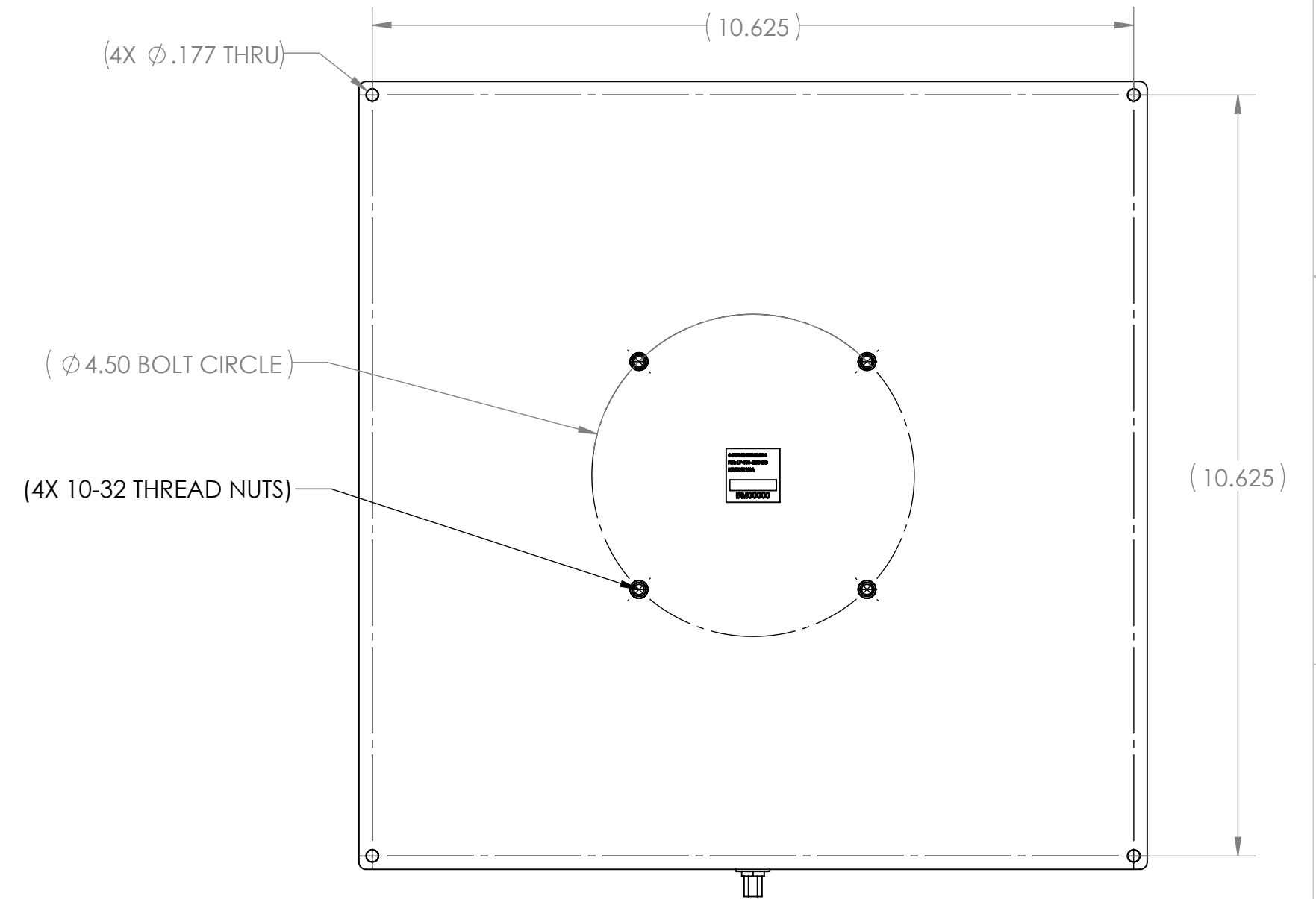
ISO VIEW  
SCALE 1:3



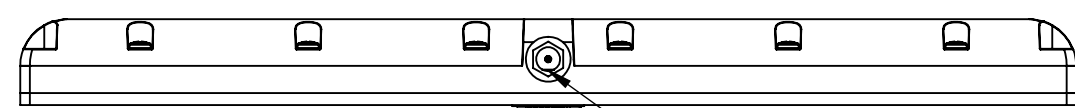
SMA CONNECTOR, FEMALE  
FRONT VIEW



RIGHT VIEW



BACK VIEW



BOTTOM VIEW  
FLAT ON CONNECTOR

THIRD ANGLE PROJECTION

PROPRIETARY AND CONFIDENTIAL  
THE INFORMATION CONTAINED IN THIS DRAWING IS THE SOLE PROPERTY OF OCTANE WIRELESS. ANY REPRODUCTION IN PART OR AS A WHOLE WITHOUT THE WRITTEN PERMISSION OF OCTANE WIRELESS IS PROHIBITED.

UNLESS OTHERWISE SPECIFIED: DIMENSIONS ARE IN INCHES	NAME	DATE
TOLERANCES: TWO PLACE DECIMAL ±.010 THREE PLACE DECIMAL ±.005 ANGULAR ±1°	DRAWN CLQ	07/20/22
MATERIAL SEE NOTES	CHECKED AF	12/09/22
FINISH SEE NOTES	ENG APPR. DN	12/09/22
DO NOT SCALE DRAWING	MFG APPR. AF	12/09/22

OCTANE WIRELESS 1340 CHARWOOD ROAD, SUITE L HANOVER, MD 21076		
TITLE: ASSEMBLY, 600-4200 MHz, LOW PROFILE LTE ANTENNA, ENHANCED GAIN, SMA FEMALE CONNECTOR		
SIZE <b>C</b>	DWG. NO. LP-600-4200-EG	REV A
SHEET SCALE 1:2		SHEET 1 OF 1