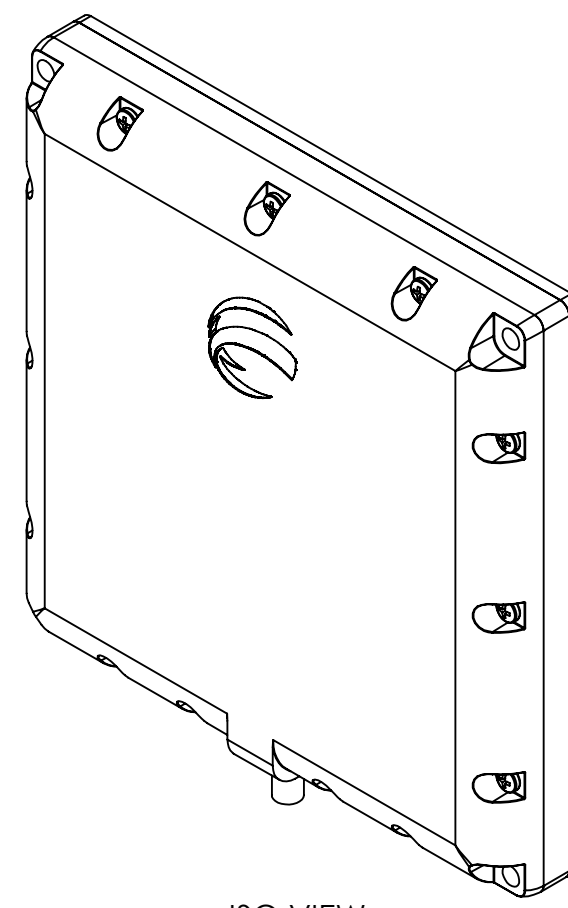


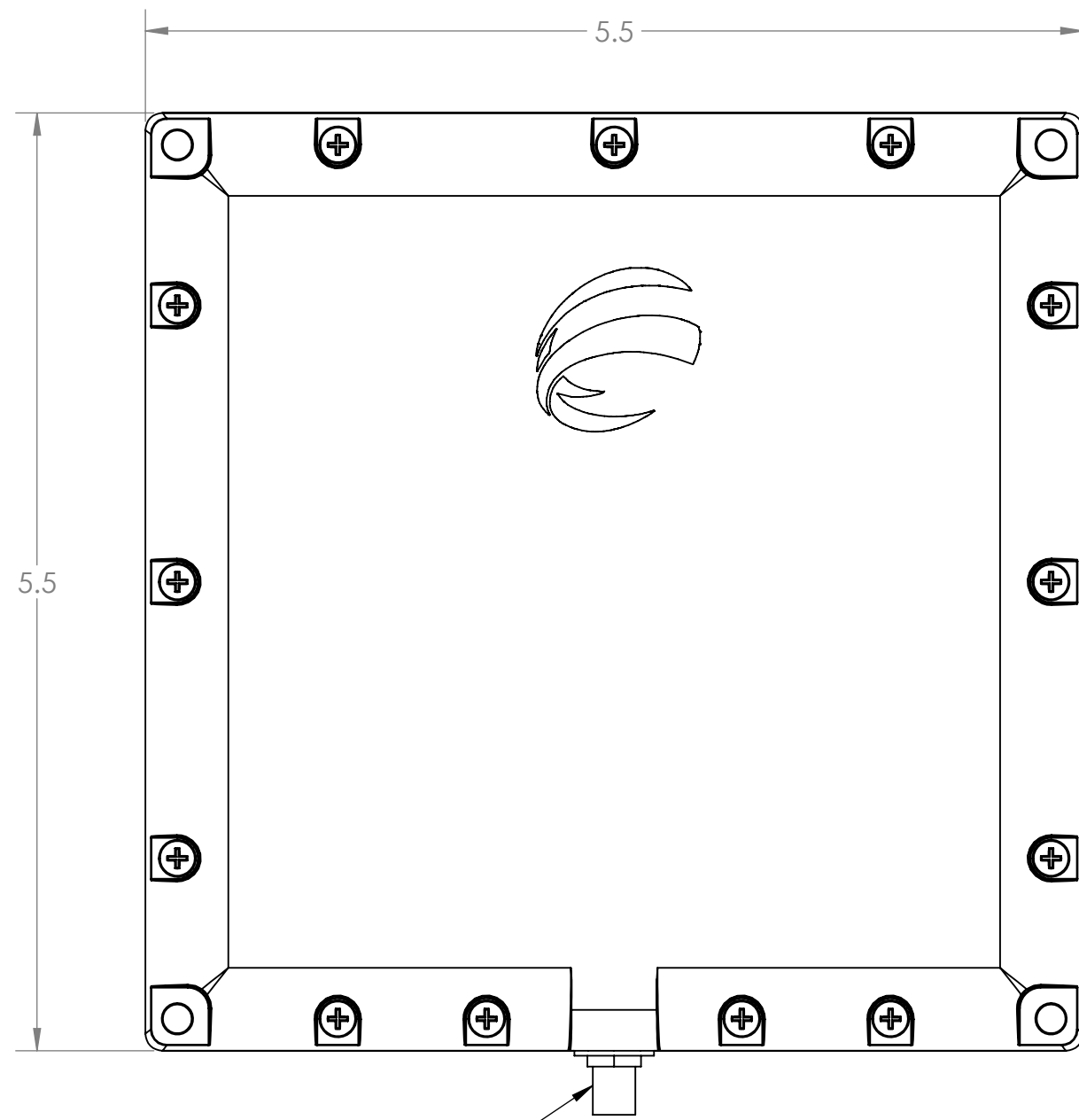
NOTES:

- OCTANE P/N: 103769
- TRACEABILITY: OCTANE S/N
- ALL DIMENSIONS IN PARENTHESES () ARE REFERENCE ONLY.
- PART MARKING: OCTANE MODEL NUMBER LABEL
- FREQUENCY RANGE: 2400-6000 MHz
- WEIGHT: 11.9 OZ

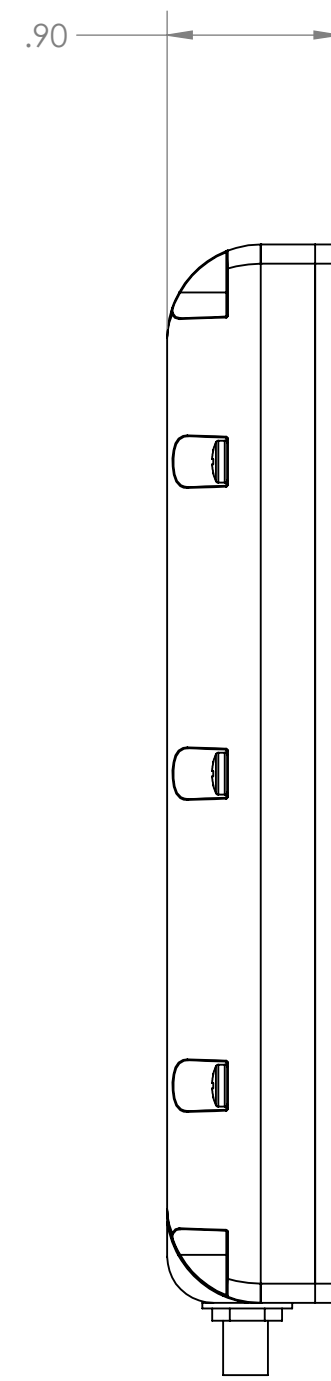
REVISIONS				
ZONE	REV.	DESCRIPTION	DATE	APPROVED
N/A	A	DWG RELEASE	12/9/2022	CLQ



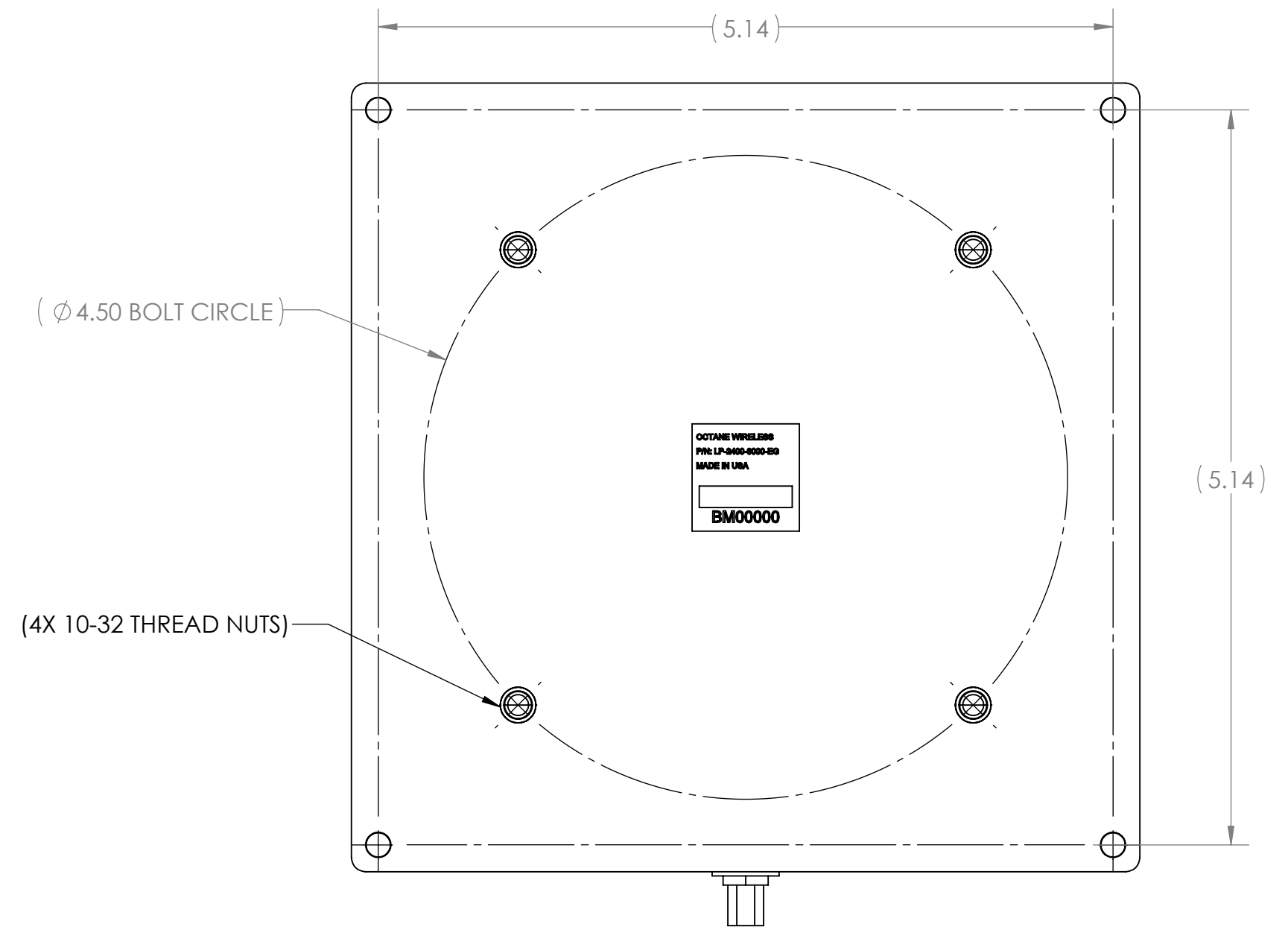
ISO VIEW
SCALE 2:3



SMA CONNECTOR, FEMALE
FRONT VIEW



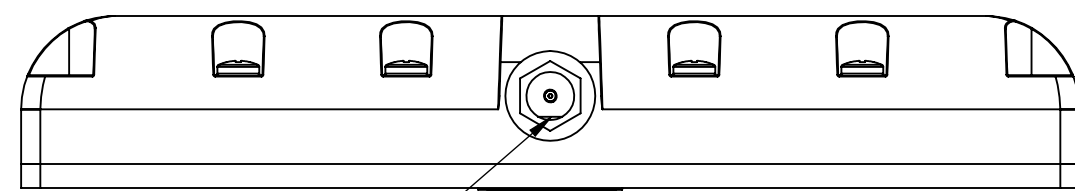
RIGHT VIEW



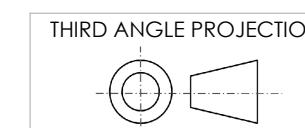
(Ø 4.50 BOLT CIRCLE)

(4X 10-32 THREAD NUTS)

BACK VIEW



FLAT ON CONNECTOR
BOTTOM VIEW



THIRD ANGLE PROJECTION
PROPRIETARY AND CONFIDENTIAL
THE INFORMATION CONTAINED IN THIS DRAWING IS THE SOLE PROPERTY OF OCTANE WIRELESS. ANY REPRODUCTION IN PART OR AS A WHOLE WITHOUT THE WRITTEN PERMISSION OF OCTANE WIRELESS IS PROHIBITED.

UNLESS OTHERWISE SPECIFIED: DIMENSIONS ARE IN INCHES TOLERANCES: TWO PLACE DECIMAL ±.010 THREE PLACE DECIMAL ±.005 ANGULAR ±1°	MATERIAL SEE NOTES	FINISH SEE NOTES	DO NOT SCALE DRAWING	NAME DRAWN CLQ CHECKED AF ENG APPR. DN MFG APPR. AF	DATE 07/27/22 12/09/22 12/09/22 12/09/22	COMMENTS:
---	-----------------------	---------------------	----------------------	---	--	-----------

OCTANE WIRELESS 1340 CHARWOOD ROAD, SUITE L HANOVER, MD 21076		
TITLE: ASSEMBLY, 2400-6000 MHz, LOW PROFILE ANTENNA, ENHANCED GAIN, SMA FEMALE CONNECTOR		
SIZE C	DWG. NO. LP-2400-6000-EG	REV A
SHEET SCALE 1:1		SHEET 1 OF 1