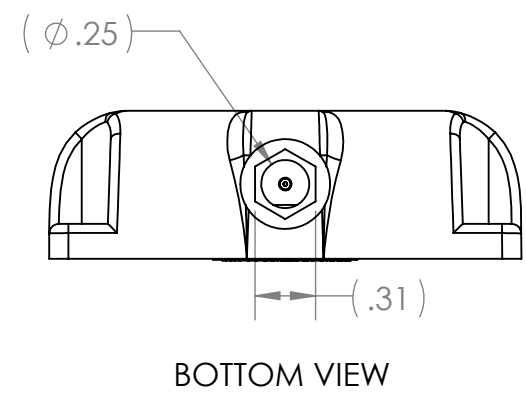
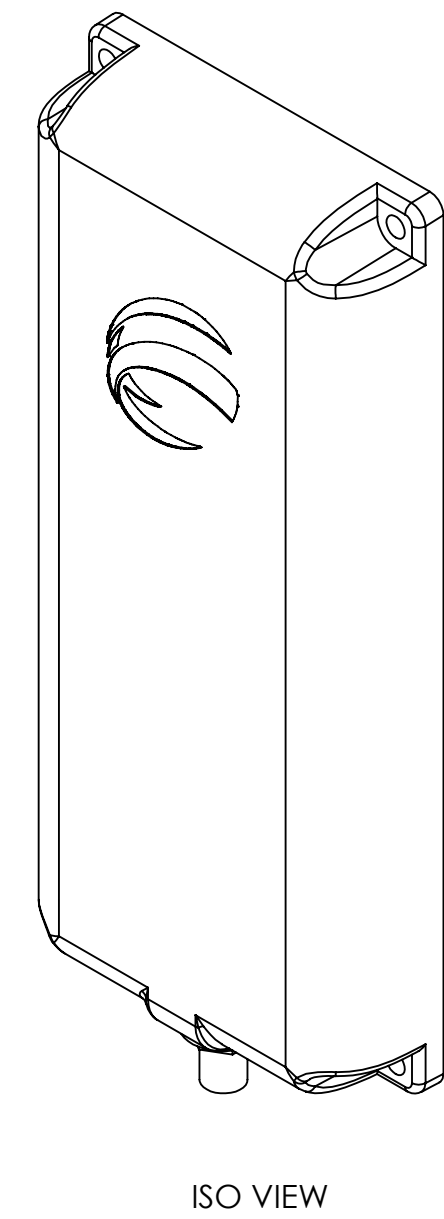
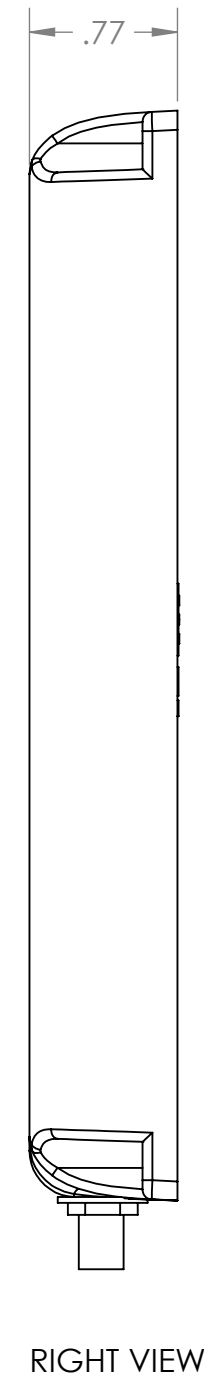
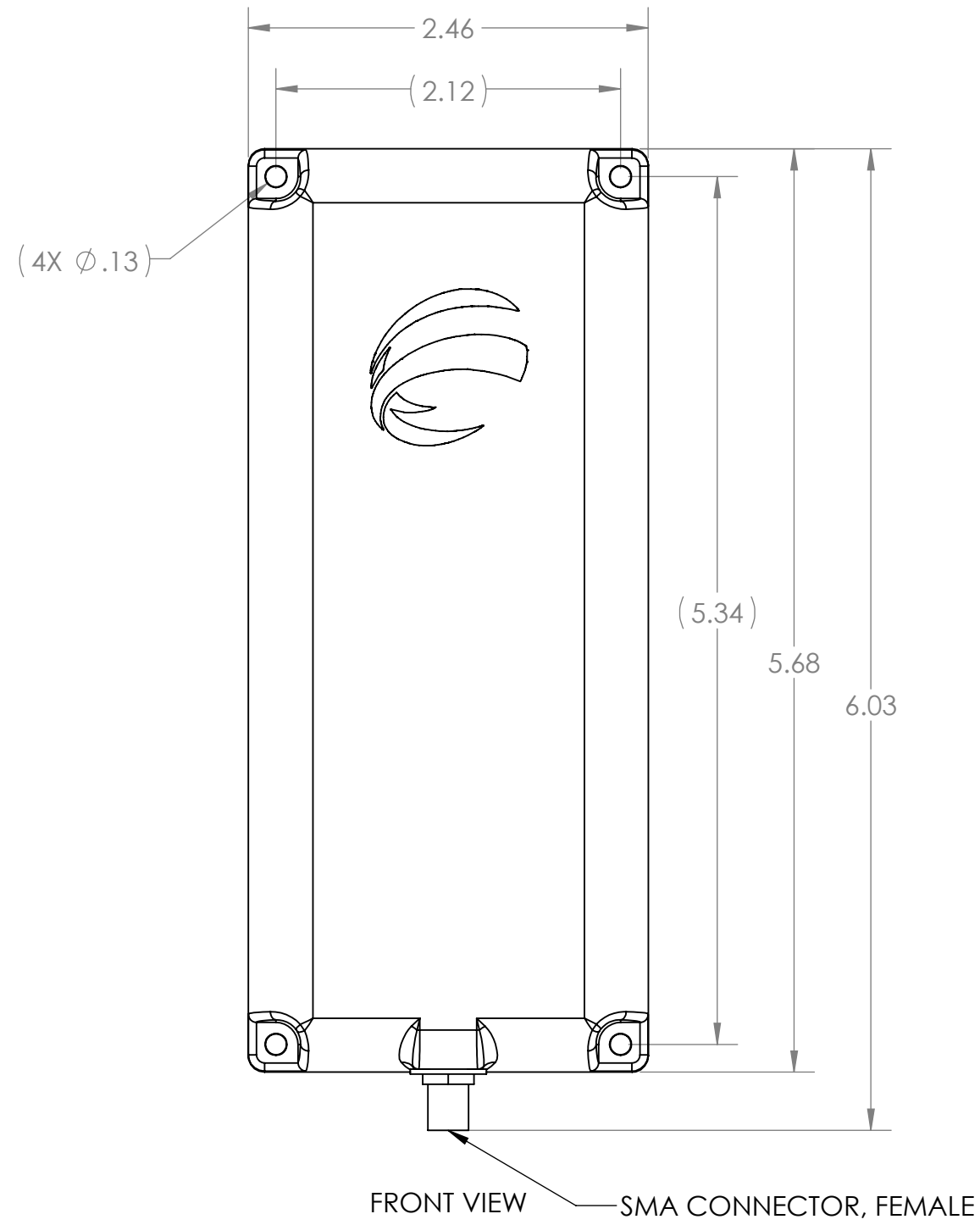


NOTES:

1. OCTANE P/N: 103383
2. TRACEABILITY: OCTANE S/N
3. ALL DIMENSIONS IN PARENTHESES ( ) ARE REFERENCE ONLY.
6. PART MARKING: OCTANE MODEL NUMBER LABEL
5. FREQUENCY RANGE: 600-4200 MHz
6. WEIGHT: 3.4 OZ

REVISIONS				
ZONE	REV.	DESCRIPTION	DATE	APPROVED
N/A	A	DWG RELEASE	8/20/2020	BZG
N/A	C	REVISION LEVEL MATCH; DWG UPDATE	7/30/2021	CLQ



<p>THIRD ANGLE PROJECTION</p> <p>PROPRIETARY AND CONFIDENTIAL THE INFORMATION CONTAINED IN THIS DRAWING IS THE SOLE PROPERTY OF OCTANE WIRELESS. ANY REPRODUCTION IN PART OR AS A WHOLE WITHOUT THE WRITTEN PERMISSION OF OCTANE WIRELESS IS PROHIBITED.</p>	UNLESS OTHERWISE SPECIFIED:	NAME	DATE	<p>OCTANE WIRELESS 1340 CHARWOOD ROAD, SUITE L HANOVER, MD 21076</p> <p>TITLE: ASSEMBLY, 600- 4200 MHz, LOW PROFILE ANTENNA, SMA FEMALE CONNECTOR</p>
	DIMENSIONS ARE IN INCHES	DRAWN	BZG 08/20/20	
	TOLERANCES: TWO PLACE DECIMAL ±.010 THREE PLACE DECIMAL ±.005 ANGULAR ±1°	CHECKED	CLQ 07/30/21	
	MATERIAL	ENG APPR.	DN 08/20/20	
SEE NOTES	MFG APPR.	AF 08/20/20	COMMENTS:	
FINISH	<p>SIZE DWG. NO. REV</p> <p><b>C</b> LP-600-4200 <b>C</b></p>			
DO NOT SCALE DRAWING	<p>SHEET SCALE 1:1 SHEET 1 OF 1</p>			