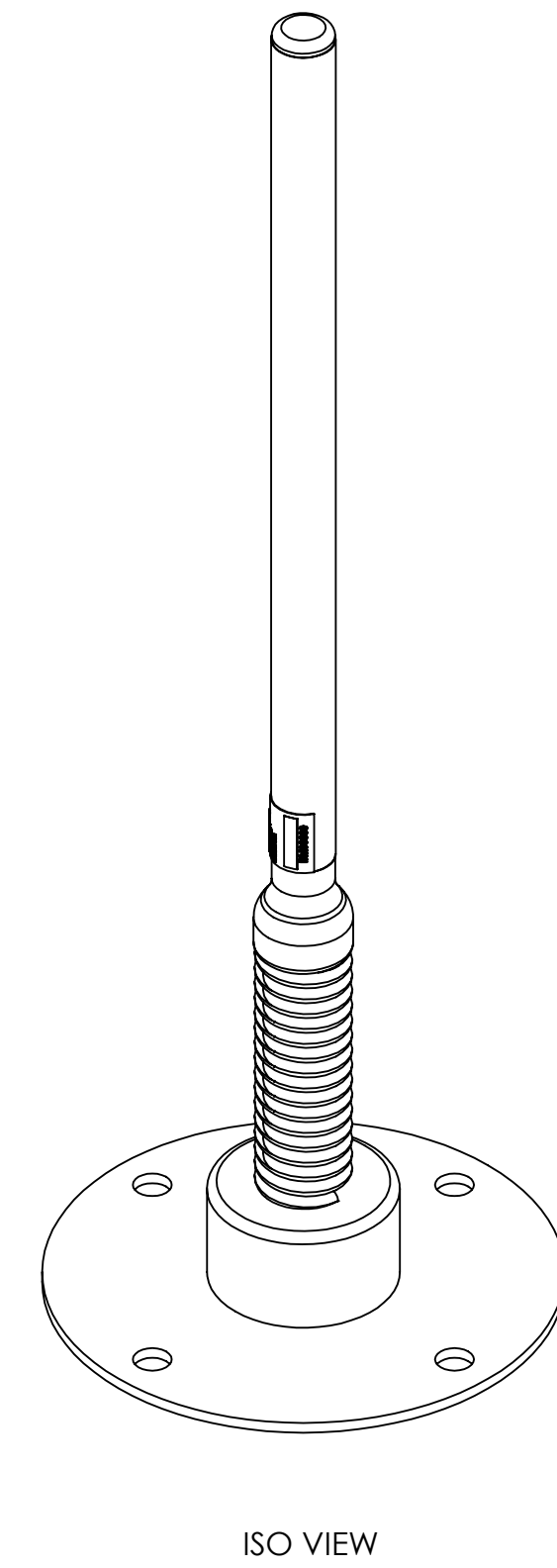
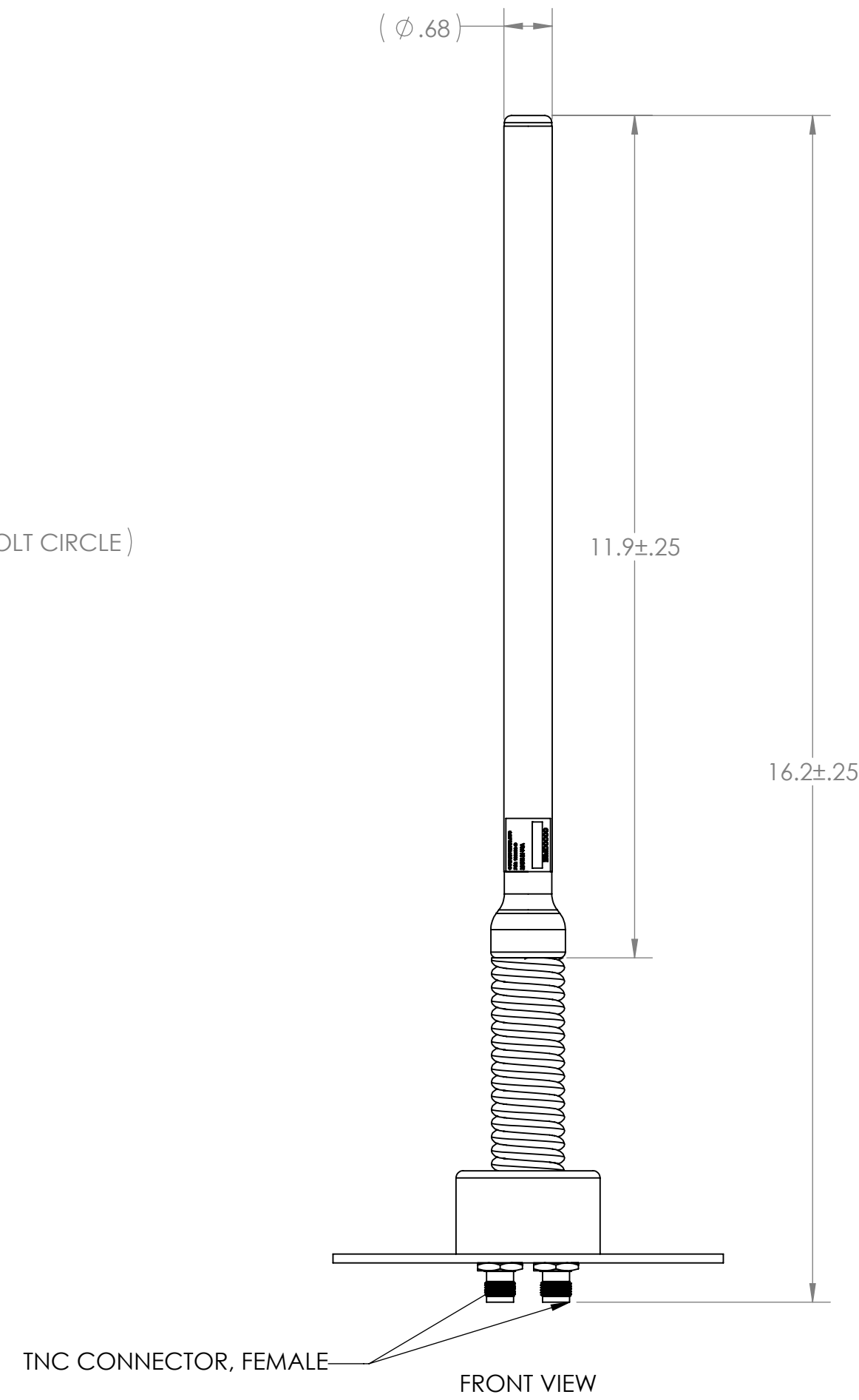
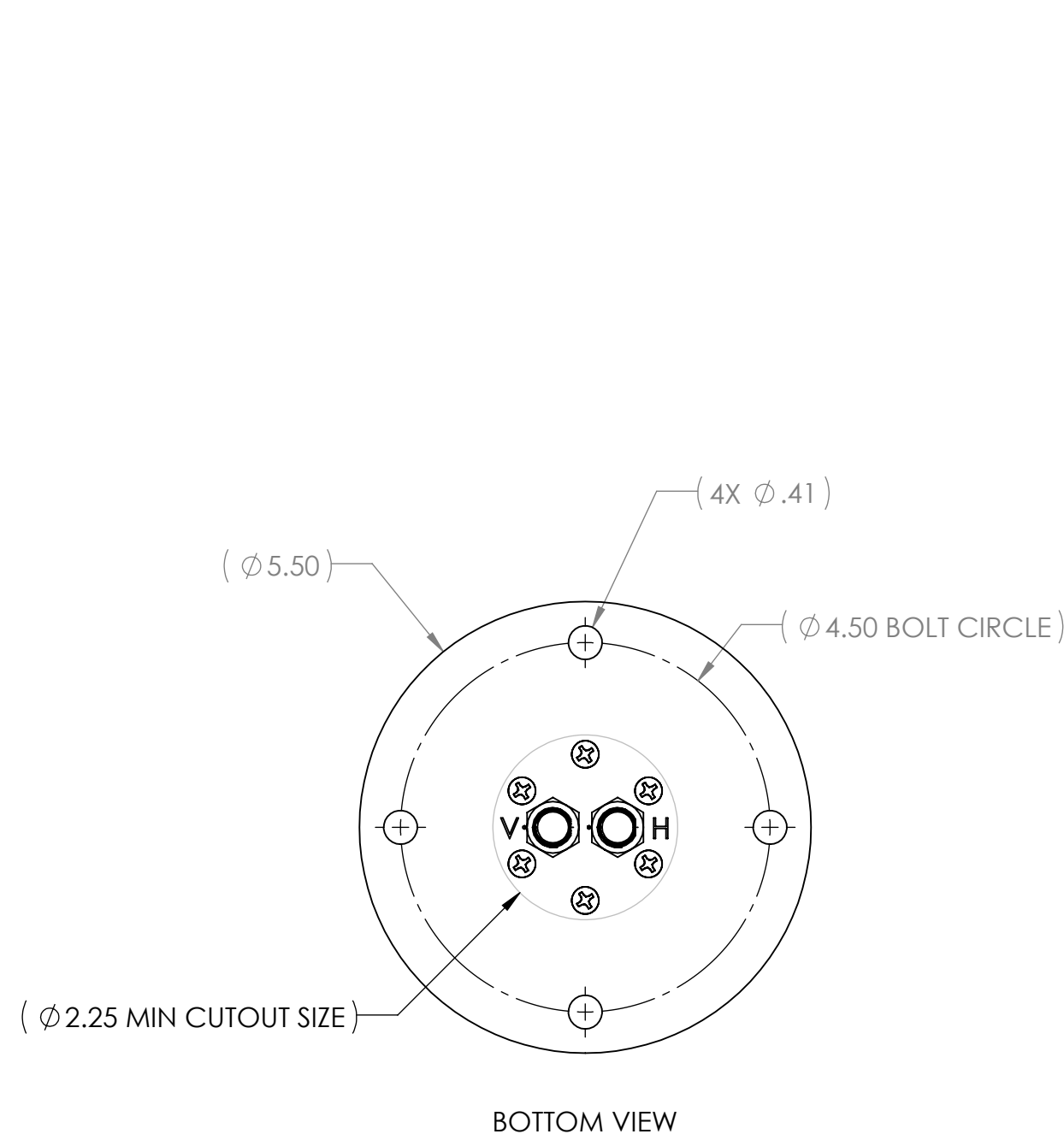


NOTES:

1. OCTANE P/N: 103571
2. TRACEABILITY: OCTANE S/N
3. ALL DIMENSIONS IN PARENTHESES ( ) ARE REFERENCE ONLY.
6. PART MARKING: OCTANE MODEL NUMBER LABEL
5. FREQUENCY RANGE: 4400-5000 MHz
6. WEIGHT: 26 OZ

REVISIONS				
ZONE	REV.	DESCRIPTION	DATE	APPROVED
N/A	A	DWG RELEASE	6/10/2021	CLQ
N/A	B	REVISION LEVEL MATCH	11/29/2021	CLQ



THIRD ANGLE PROJECTION

PROPRIETARY AND CONFIDENTIAL  
THE INFORMATION CONTAINED IN THIS DRAWING IS THE SOLE PROPERTY OF OCTANE WIRELESS. ANY REPRODUCTION IN PART OR AS A WHOLE WITHOUT THE WRITTEN PERMISSION OF OCTANE WIRELESS IS PROHIBITED.

UNLESS OTHERWISE SPECIFIED: DIMENSIONS ARE IN INCHES	NAME	DATE
TOLERANCES: TWO PLACE DECIMAL ±.010 THREE PLACE DECIMAL ±.005 ANGULAR ±1°	DRAWN	CLQ 06/04/21
MATERIAL	CHECKED	BZG 06/08/21
SEE NOTES	ENG APPR.	DN 06/09/21
FINISH	MFG APPR.	AF 06/09/21
DO NOT SCALE DRAWING	COMMENTS:	

OCTANE WIRELESS 1340 CHARWOOD ROAD, SUITE L HANOVER, MD 21076		
TITLE: ASSEMBLY, VEHICLE SPRING ANTENNA, 4.4-5.0 GHz, 5 dBi, DUAL POL, DUAL TNC FEMALE CONNECTOR		
SIZE	DWG. NO.	REV
<b>C</b>	VSVH-4400-5000	<b>B</b>
SHEET SCALE 1:2		SHEET 1 OF 1