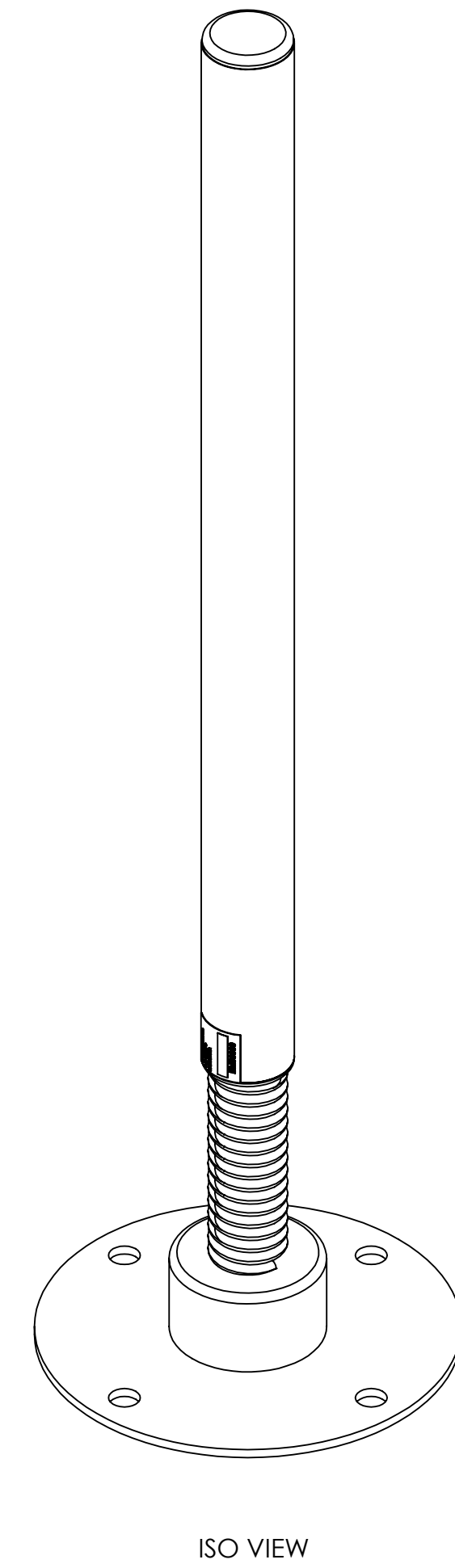
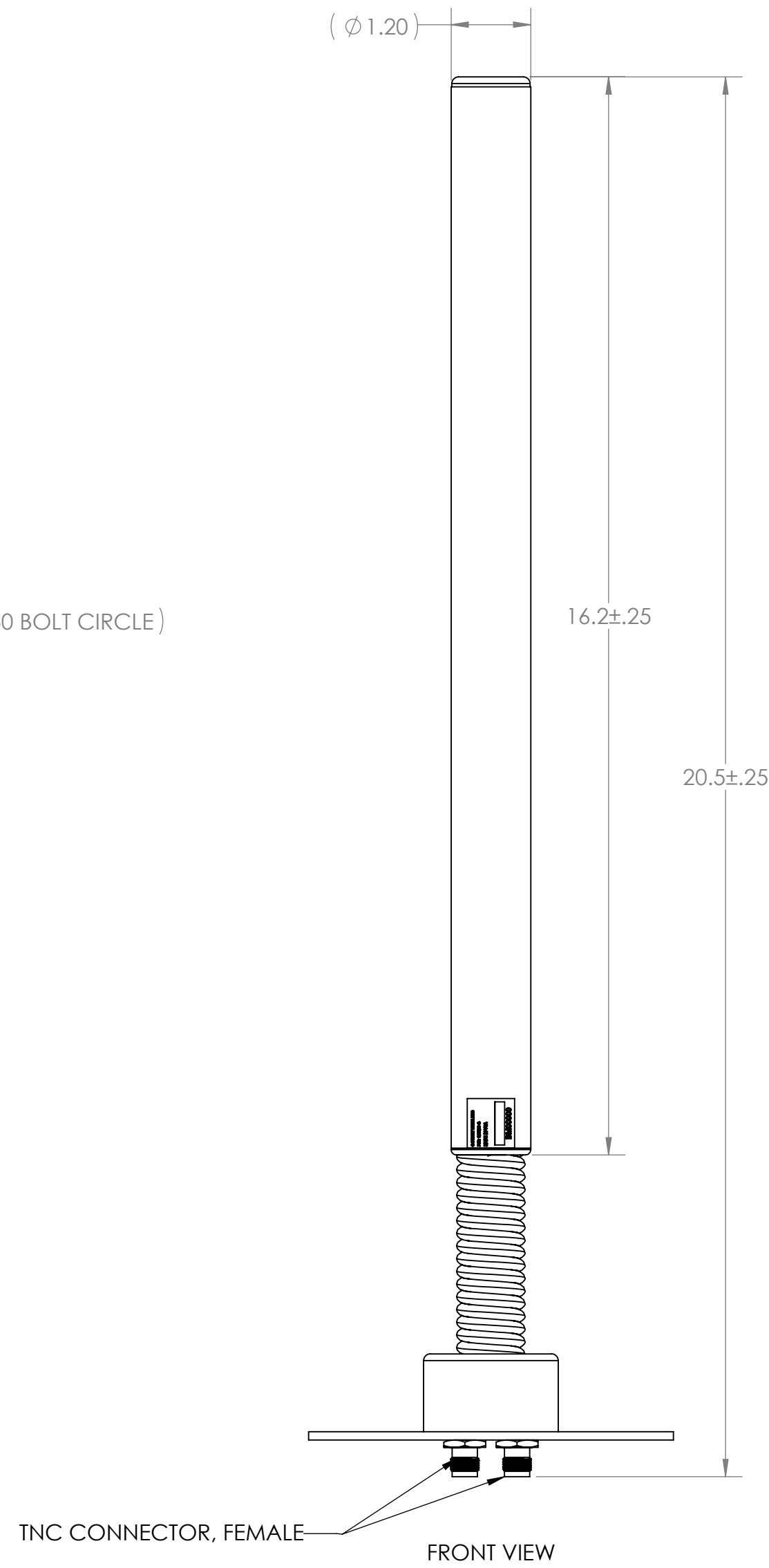
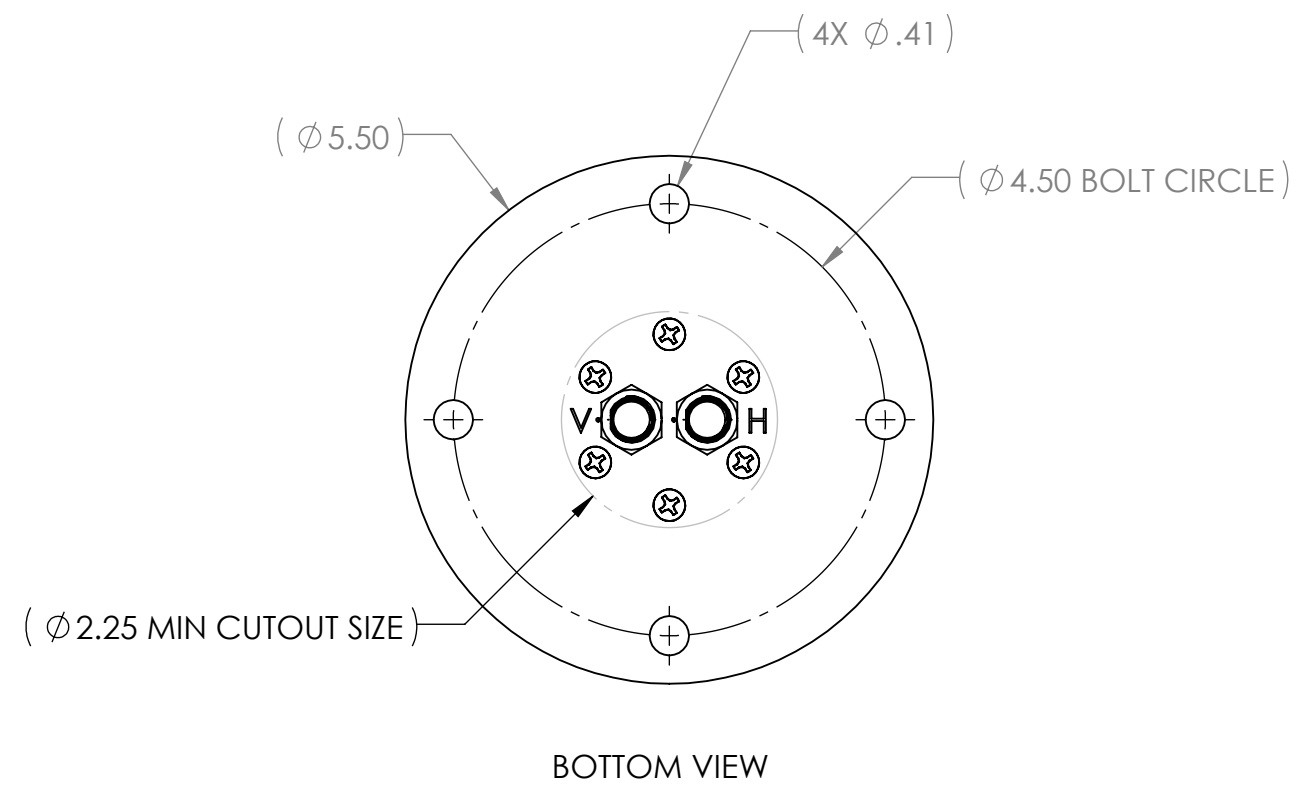


NOTES:

1. OCTANE P/N: 103570
2. TRACEABILITY: OCTANE S/N
3. ALL DIMENSIONS IN PARENTHESES () ARE REFERENCE ONLY.
6. PART MARKING: OCTANE MODEL NUMBER LABEL
5. FREQUENCY RANGE: 2200-2500 MHz
6. WEIGHT: 32 OZ

REVISIONS				
ZONE	REV.	DESCRIPTION	DATE	APPROVED
N/A	A	DWG RELEASE	6/9/2021	CLQ
N/A	B	REVISION LEVEL MATCH	11/24/2021	CLQ



THIRD ANGLE PROJECTION

PROPRIETARY AND CONFIDENTIAL
THE INFORMATION CONTAINED IN THIS DRAWING IS THE SOLE PROPERTY OF OCTANE WIRELESS. ANY REPRODUCTION IN PART OR AS A WHOLE WITHOUT THE WRITTEN PERMISSION OF OCTANE WIRELESS IS PROHIBITED.

UNLESS OTHERWISE SPECIFIED:	NAME	DATE
DIMENSIONS ARE IN INCHES	DRAWN CLQ	06/04/21
TOLERANCES:	CHECKED BZG	06/08/21
TWO PLACE DECIMAL ±.010	ENG APPR. DN	06/09/21
THREE PLACE DECIMAL ±.005	MFG APPR. AF	06/09/21
ANGULAR ±1°	MATERIAL	COMMENTS:
SEE NOTES	SEE NOTES	
FINISH	DO NOT SCALE DRAWING	
SEE NOTES		

OCTANE WIRELESS 1340 CHARWOOD ROAD, SUITE L HANOVER, MD 21076		
TITLE: ASSEMBLY, VEHICLE SPRING ANTENNA, 2.2-2.5 GHz, 5 dBi, DUAL POL, DUAL TNC FEMALE CONNECTOR		
SIZE	DWG. NO.	REV
C	VSVH-2200-2500	B
SHEET SCALE 1:2		SHEET 1 OF 1