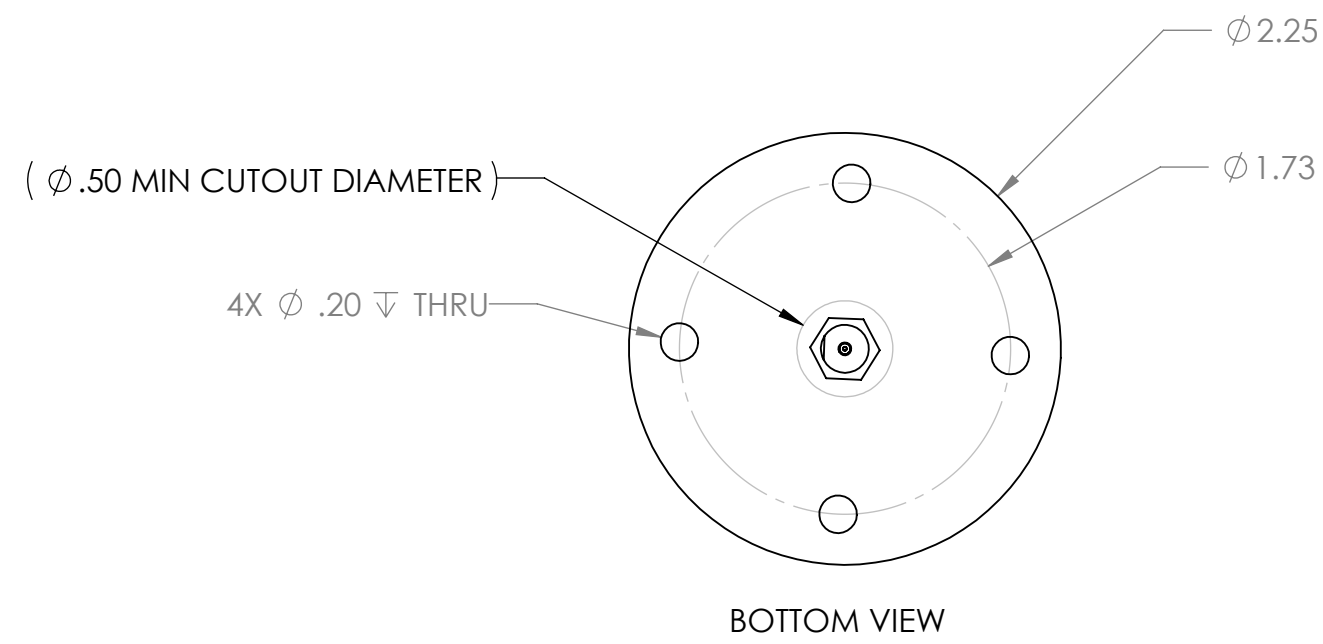
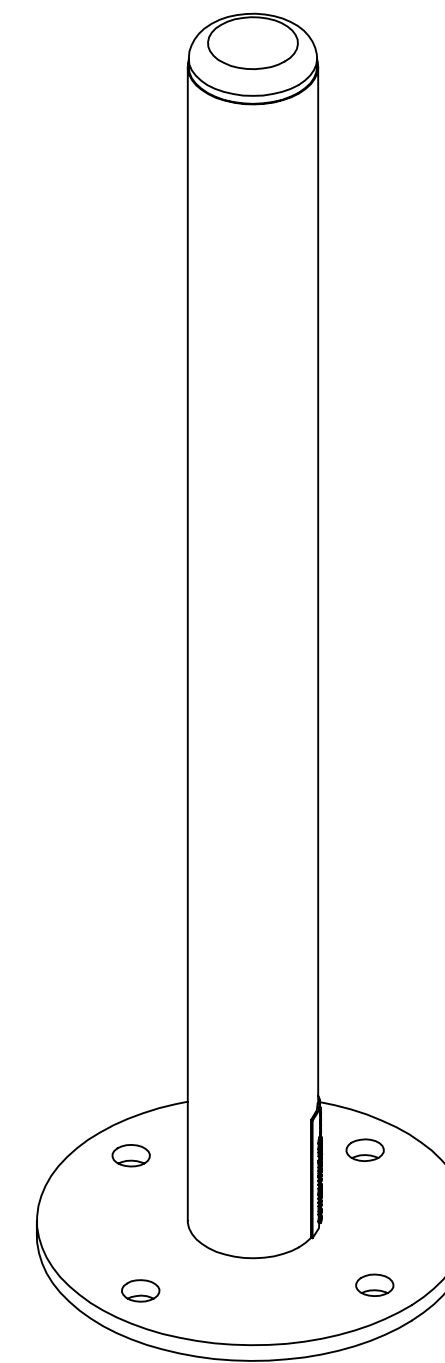
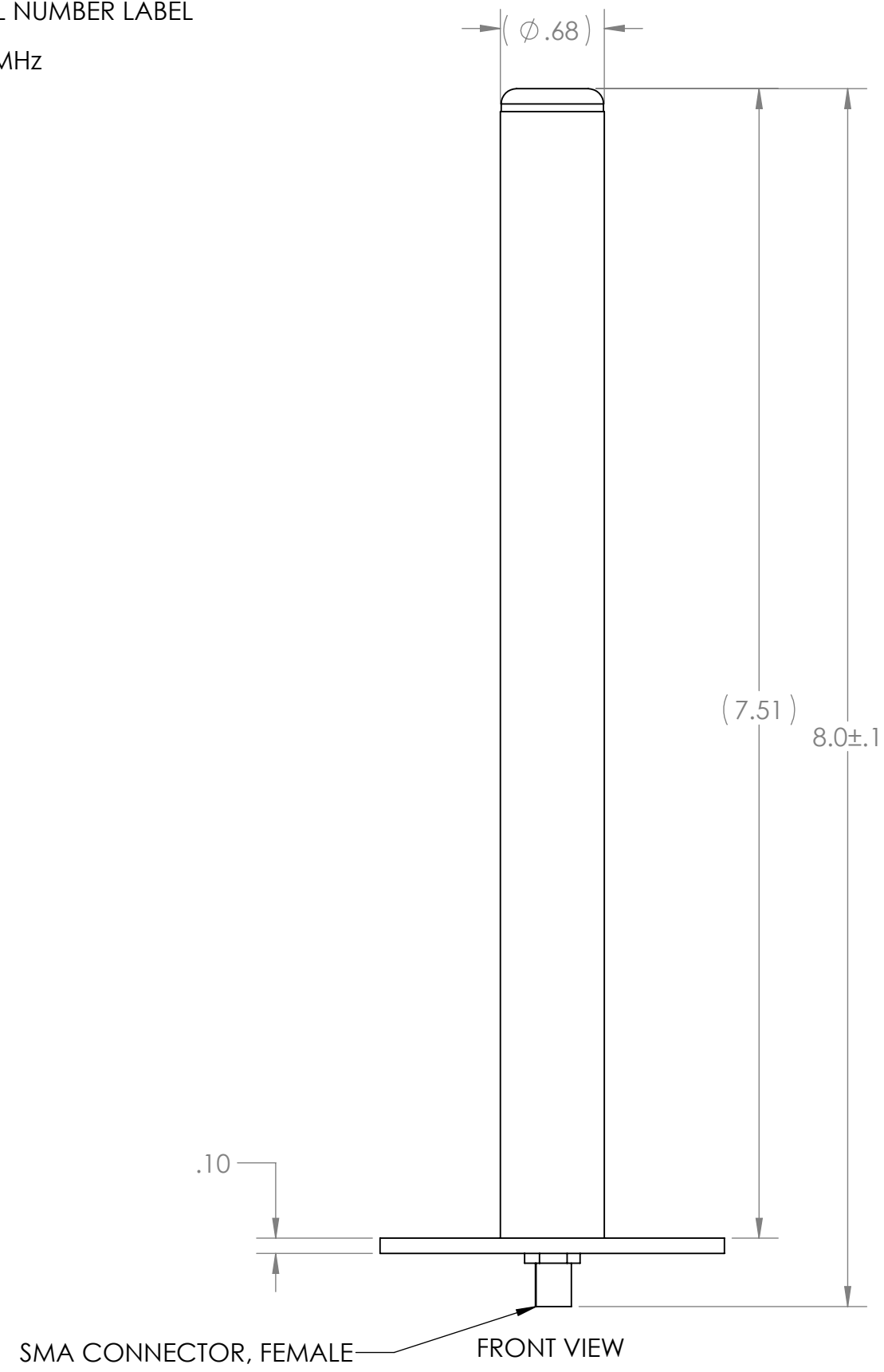


NOTES:

1. OCTANE P/N: 103578
2. TRACEABILITY: OCTANE S/N
3. ALL DIMENSIONS IN PARENTHESES () ARE REFERENCE ONLY.
6. PART MARKING: OCTANE MODEL NUMBER LABEL
5. FREQUENCY RANGE: 2200-2500 MHz
6. WEIGHT: 1.3 OZ

REVISIONS				
ZONE	REV.	DESCRIPTION	DATE	APPROVED
N/A	A	DWG RELEASE	6/25/2021	BZG



<p>THIRD ANGLE PROJECTION</p> <p>PROPRIETARY AND CONFIDENTIAL THE INFORMATION CONTAINED IN THIS DRAWING IS THE SOLE PROPERTY OF OCTANE WIRELESS. ANY REPRODUCTION IN PART OR AS A WHOLE WITHOUT THE WRITTEN PERMISSION OF OCTANE WIRELESS IS PROHIBITED.</p>	<p>UNLESS OTHERWISE SPECIFIED: DIMENSIONS ARE IN INCHES</p> <p>TOLERANCES: TWO PLACE DECIMAL ±.010 THREE PLACE DECIMAL ±.005 ANGULAR ±1°</p> <p>MATERIAL SEE NOTES</p> <p>FINISH SEE NOTES</p> <p>DO NOT SCALE DRAWING</p>	<table border="1"> <tr> <th>NAME</th> <th>DATE</th> </tr> <tr> <td>BZG</td> <td>6/25/2021</td> </tr> </table>	NAME	DATE	BZG	6/25/2021	<p>OCTANE WIRELESS 1340 CHARWOOD ROAD, SUITE L HANOVER, MD 21076</p> <p>TITLE: ASSEMBLY, VEHICLE MOUNT ANTENNA, 2200 - 2500 MHz, VP, SMA FEMALE</p>	
	NAME	DATE						
	BZG	6/25/2021						
	<p>DRAWN</p> <p>CHECKED</p> <p>ENG APPR.</p> <p>MFG APPR.</p>	<p>COMMENTS:</p>	<table border="1"> <tr> <th>SIZE</th> <th>DWG. NO.</th> <th>REV</th> </tr> <tr> <td>C</td> <td>VMV-2200-2500</td> <td>A</td> </tr> </table>	SIZE	DWG. NO.	REV	C	VMV-2200-2500
SIZE	DWG. NO.	REV						
C	VMV-2200-2500	A						
SHEET SCALE 1:1		SHEET 1 OF 1						