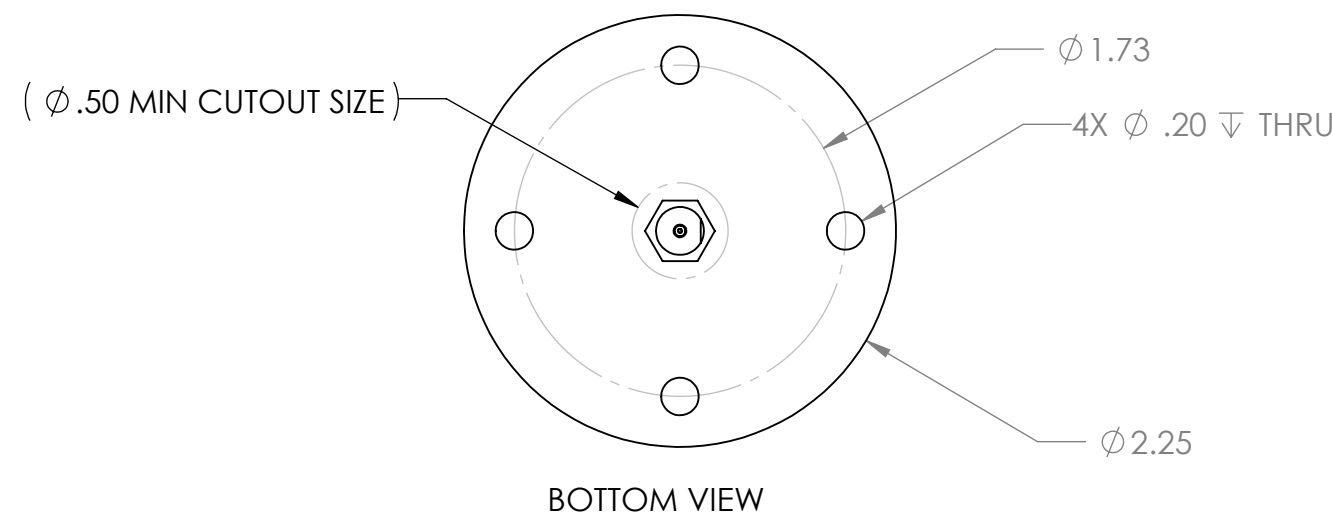
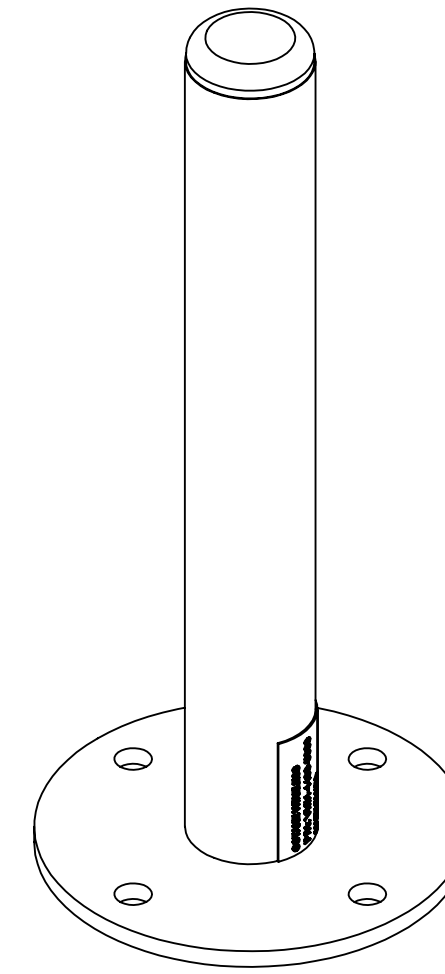
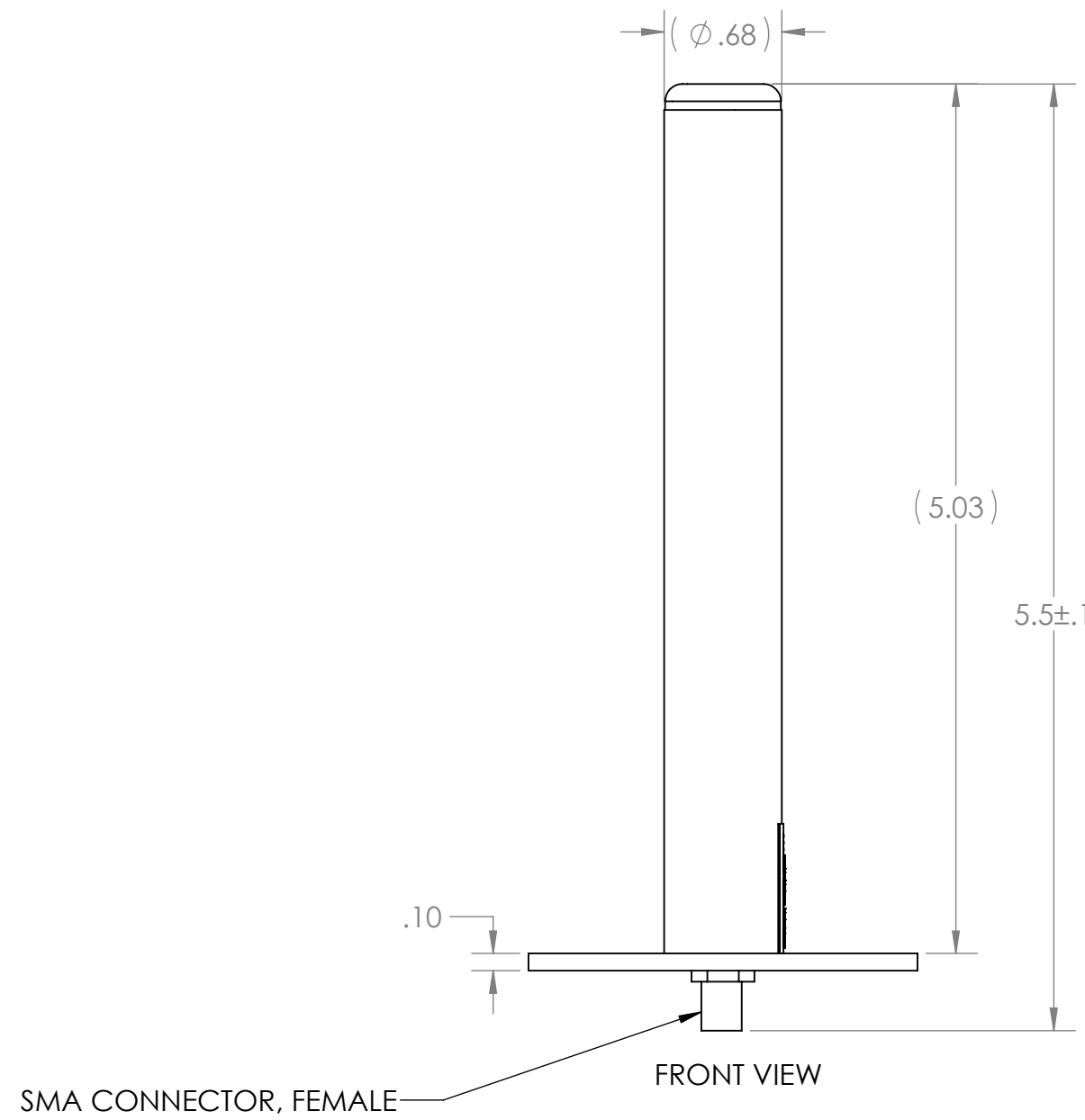


NOTES:

1. OCTANE P/N: 103581
2. TRACEABILITY: OCTANE S/N
3. ALL DIMENSIONS IN PARENTHESES () ARE REFERENCE ONLY.
6. PART MARKING: OCTANE MODEL NUMBER LABEL
5. FREQUENCY RANGE: 4400-5000 MHz
6. WEIGHT: 1.2 OZ

REVISIONS				
ZONE	REV.	DESCRIPTION	DATE	APPROVED
N/A	A	DWG RELEASE	6/25/2021	BZG



THIRD ANGLE PROJECTION

PROPRIETARY AND CONFIDENTIAL
THE INFORMATION CONTAINED IN THIS DRAWING IS THE SOLE PROPERTY OF OCTANE WIRELESS. ANY REPRODUCTION IN PART OR AS A WHOLE WITHOUT THE WRITTEN PERMISSION OF OCTANE WIRELESS IS PROHIBITED.

UNLESS OTHERWISE SPECIFIED: DIMENSIONS ARE IN INCHES	NAME	DATE	OCTANE WIRELESS 1340 CHARWOOD ROAD, SUITE L HANOVER, MD 21076	
TOLERANCES: TWO PLACE DECIMAL ±.010 THREE PLACE DECIMAL ±.005 ANGULAR ±1°	DRAWN	BZG		6/25/2021
MATERIAL	CHECKED			
FINISH	ENG APPR.			
DO NOT SCALE DRAWING	MFG APPR.			

TITLE:
ASSEMBLY, VEHICLE MOUNT
ANTENNA, 4400-5000 MHz, HP,
SMA FEMALE

SIZE	DWG. NO.	REV
C	VMH-4400-5000	A
SHEET SCALE 1:1		SHEET 1 OF 1