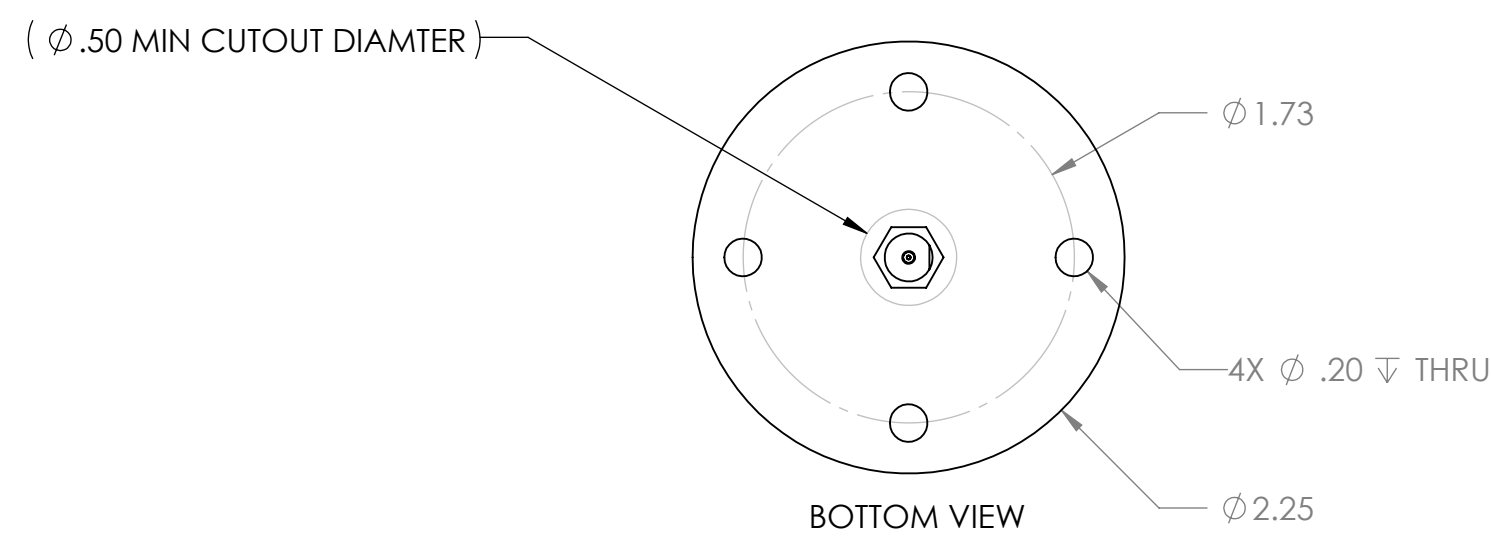
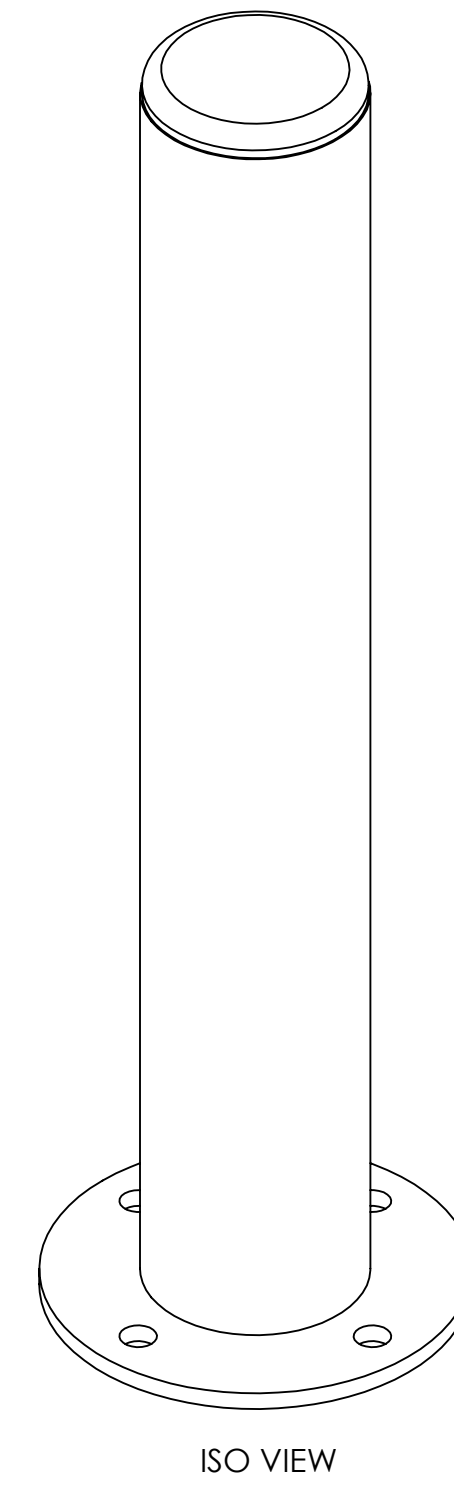
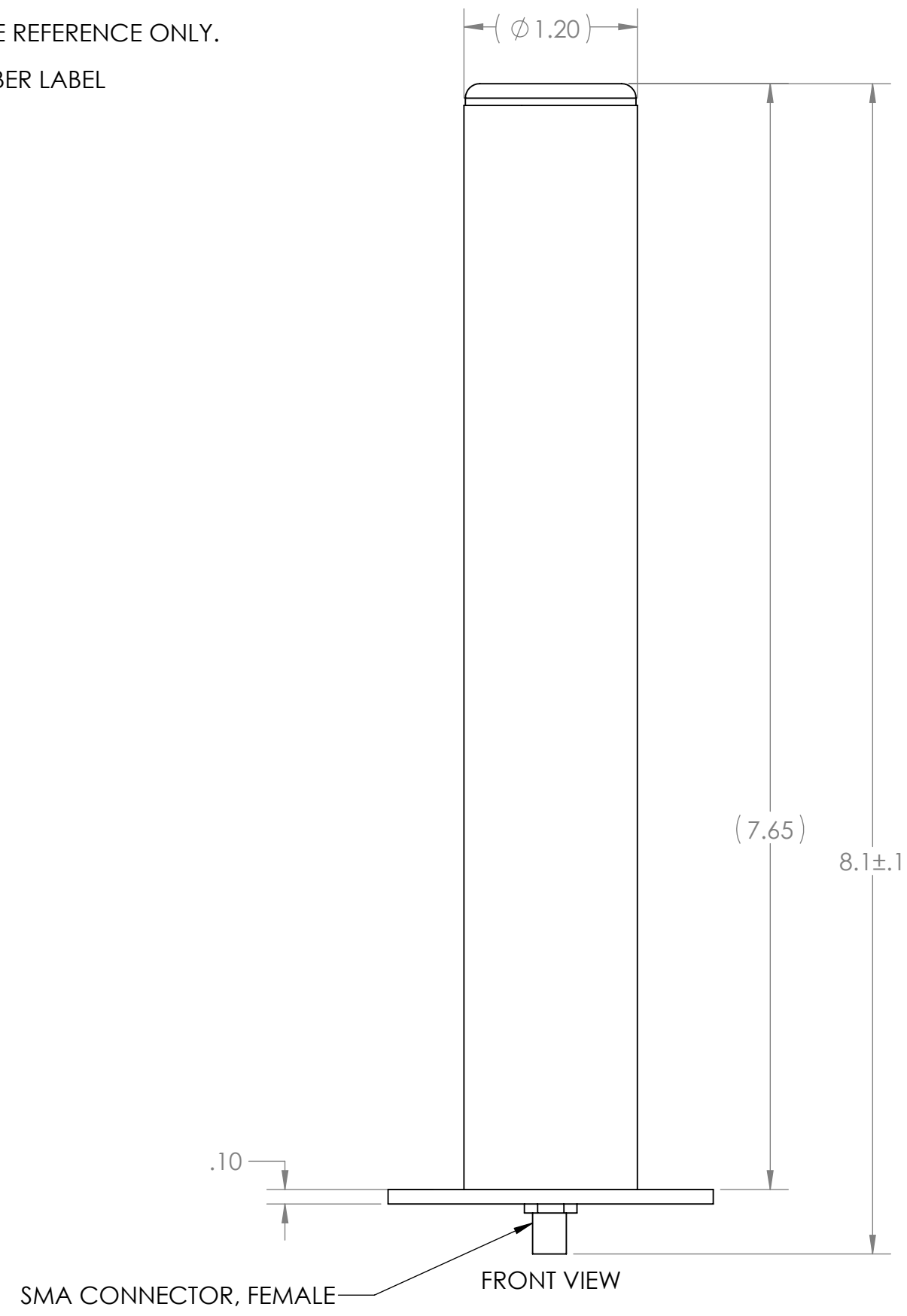


NOTES:

1. OCTANE P/N: 103579
2. TRACEABILITY: OCTANE S/N
3. ALL DIMENSIONS IN PARENTHESES () ARE REFERENCE ONLY.
6. PART MARKING: OCTANE MODEL NUMBER LABEL
5. FREQUENCY RANGE: 2200-2500 MHz
6. WEIGHT: 2.8 OZ

REVISIONS				
ZONE	REV.	DESCRIPTION	DATE	APPROVED
N/A	A	DWG RELEASE	6/25/2021	BZG



THIRD ANGLE PROJECTION

PROPRIETARY AND CONFIDENTIAL
THE INFORMATION CONTAINED IN THIS DRAWING IS THE SOLE PROPERTY OF OCTANE WIRELESS. ANY REPRODUCTION IN PART OR AS A WHOLE WITHOUT THE WRITTEN PERMISSION OF OCTANE WIRELESS IS PROHIBITED.

UNLESS OTHERWISE SPECIFIED:	NAME	DATE
DIMENSIONS ARE IN INCHES	BZG	6/25/2021
TOLERANCES:	DRAWN	
TWO PLACE DECIMAL ±.010	CHECKED	
THREE PLACE DECIMAL ±.005	ENG APPR.	
ANGULAR ±1°	MFG APPR.	
MATERIAL	COMMENTS:	
SEE NOTES		
FINISH		
SEE NOTES		
DO NOT SCALE DRAWING		

OCTANE WIRELESS 1340 CHARWOOD ROAD, SUITE L HANOVER, MD 21076		
TITLE: ASSEMBLY, VEHICLE MOUNT ANTENNA, 2200 - 2500 MHz, HP, SMA FEMALE		
SIZE	DWG. NO.	REV
C	VMH-2200-2500	A
SHEET SCALE 1:1		SHEET 1 OF 1