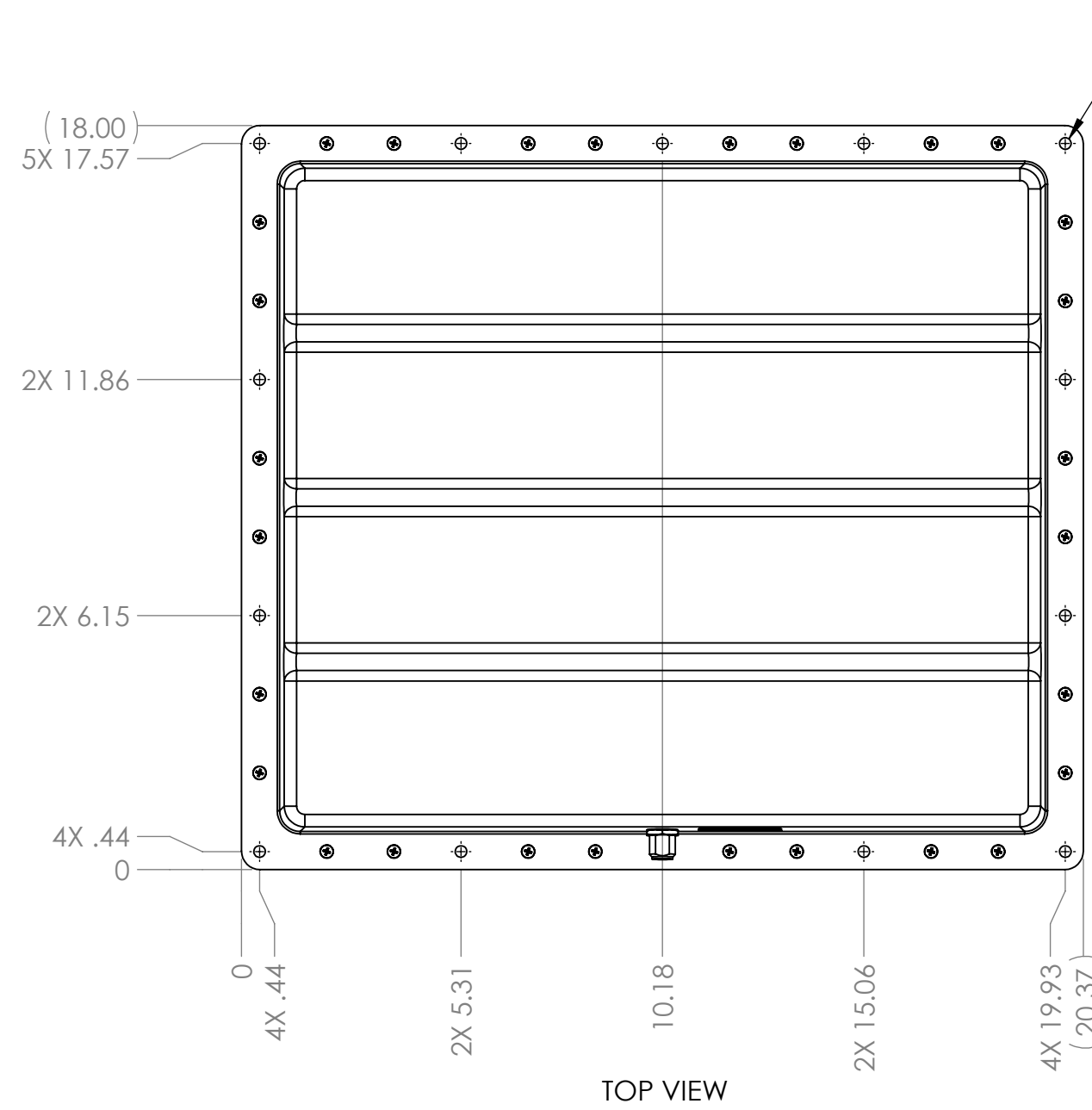


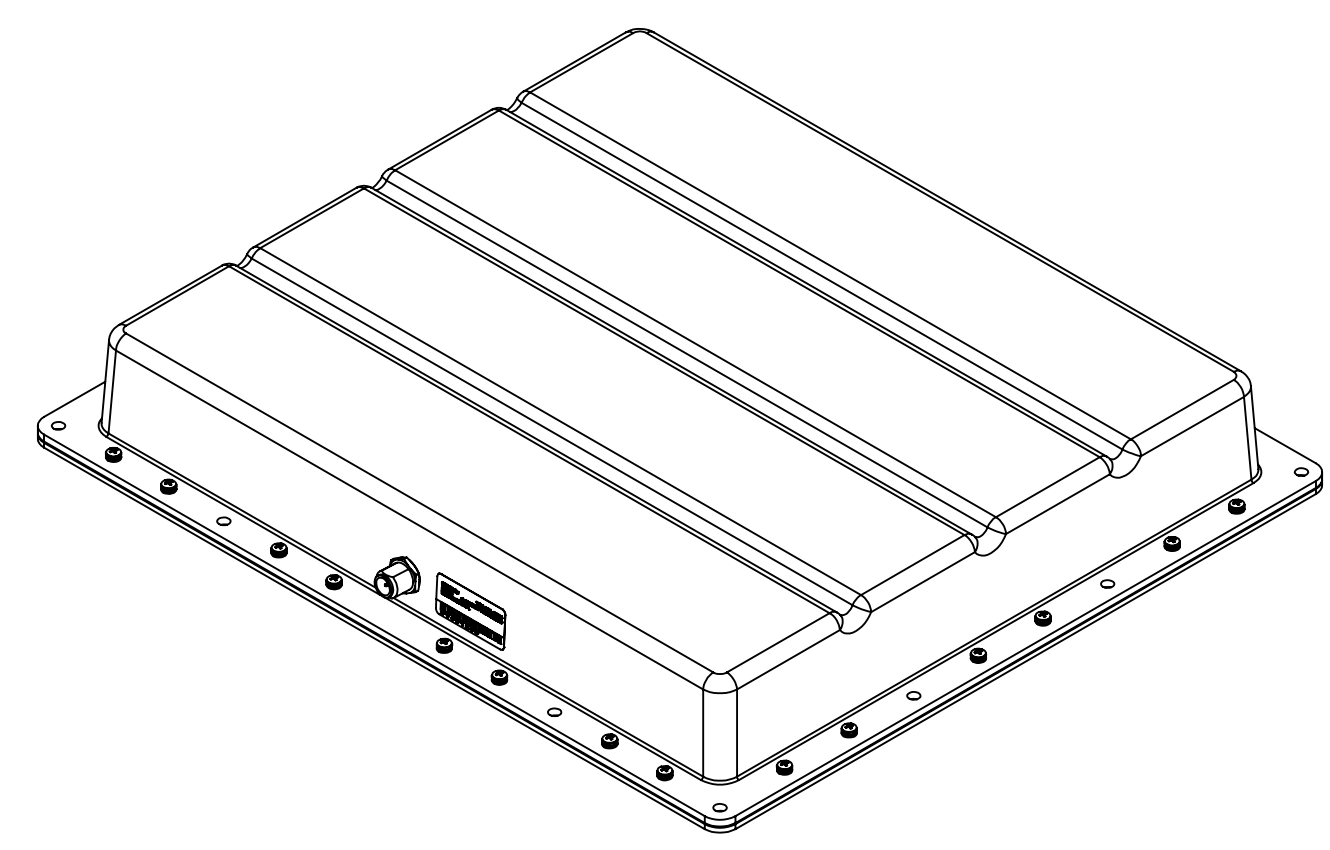
NOTES:

1. OCTANE P/N: 101000
2. TRACEABILITY: OCTANE S/N
3. ALL DIMENSIONS IN PARENTHESES ( ) ARE REFERENCE ONLY.
6. PART MARKING: OCTANE MODEL NUMBER LABEL
5. FREQUENCY RANGE: 200-6000 MHz
6. WEIGHT: 16 LBS
7. FINISH: URETHANE CARC COATING (MIL-DTL-53039), DESERT TAN

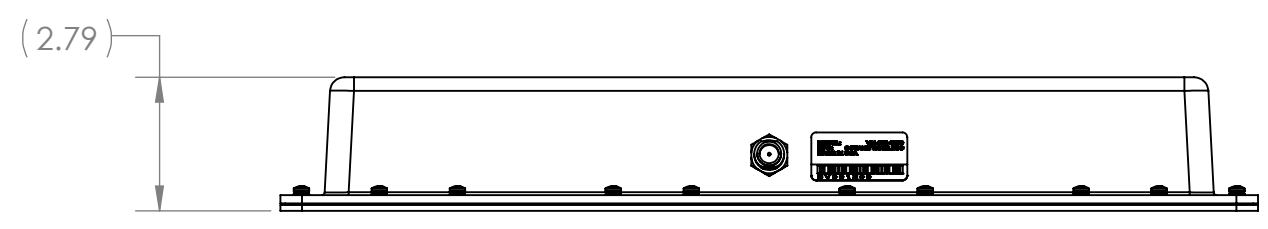
REVISIONS				
ZONE	REV.	DESCRIPTION	DATE	APPROVED
N/A	A-02	ENGINEERING PROTOTYPE	3/1/2011	JDM
N/A	D	REVISION LEVEL MATCH; DWG UPDATED	6/11/2021	CLQ



MOUNT ANTENNA TO VEHICLE DOOR USING  
13 1/4-20 HEX HEAD MACHINE SCREWS

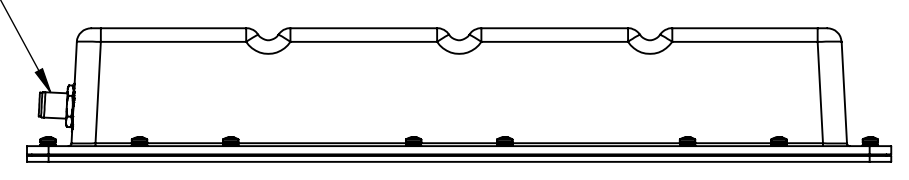


ISO VIEW



FRONT VIEW

N-TYPE CONNECTOR, FEMALE



RIGHT VIEW

THIRD ANGLE PROJECTION

PROPRIETARY AND CONFIDENTIAL  
THE INFORMATION CONTAINED IN THIS DRAWING IS THE SOLE PROPERTY OF OCTANE WIRELESS. ANY REPRODUCTION IN PART OR AS A WHOLE WITHOUT THE WRITTEN PERMISSION OF OCTANE WIRELESS IS PROHIBITED.

UNLESS OTHERWISE SPECIFIED: DIMENSIONS ARE IN INCHES	NAME	DATE
TOLERANCES: TWO PLACE DECIMAL ±.010 THREE PLACE DECIMAL ±.005 ANGULAR ±1°	DRAWN JDM	03/01/11
MATERIAL SEE NOTES	CHECKED CLQ	06/11/21
FINISH SEE NOTES	ENG APPR. DN	03/01/11
DO NOT SCALE DRAWING	MFG APPR. AF	03/01/11

OCTANE WIRELESS  
1340 CHARWOOD ROAD, SUITE L  
HANOVER, MD 21076

TITLE:  
ASSEMBLY, LOW PROFILE  
TACTICAL VEHICLE MOUNT  
ANTENNA, 200 - 6000 MHz, N-  
TYPE FEMALE CONNECTOR

SIZE <b>C</b>	DWG. NO. VM-200-6000	REV D
------------------	-------------------------	----------

SHEET SCALE 1:4 SHEET 1 OF 1