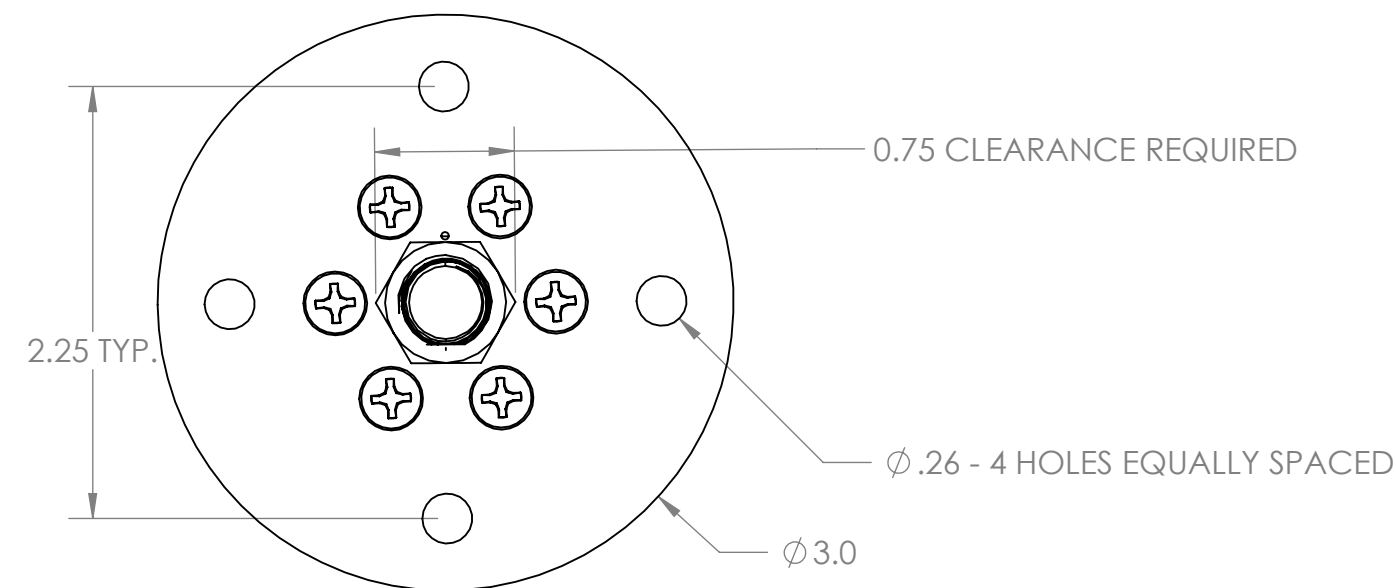
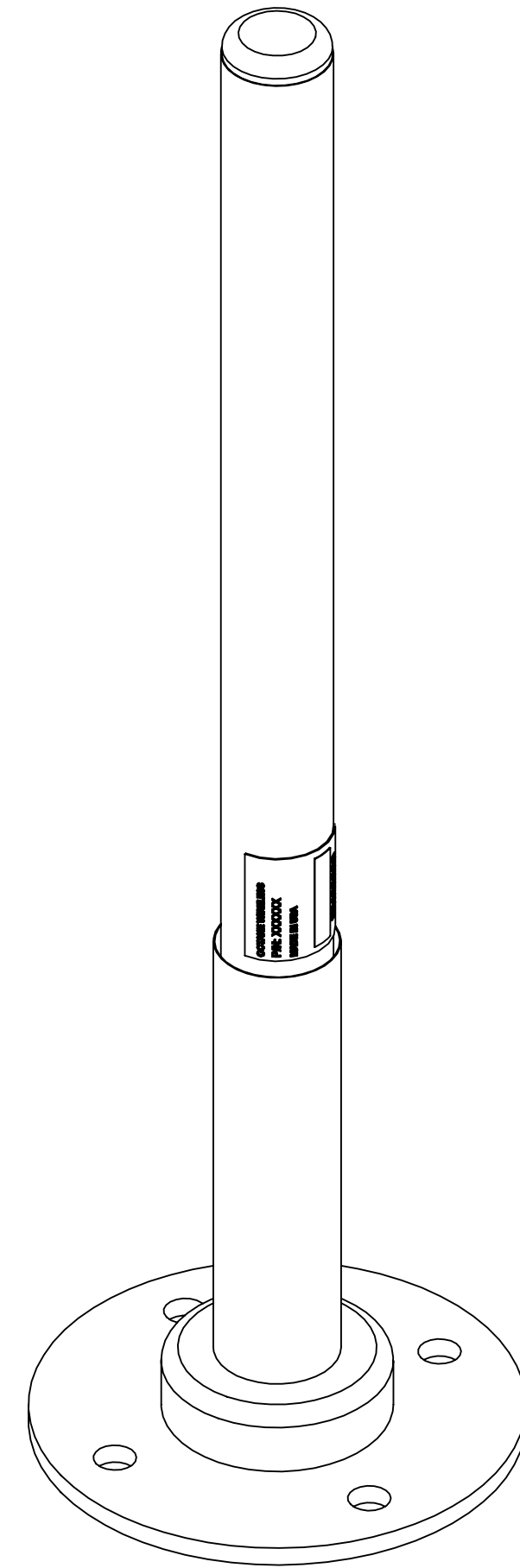
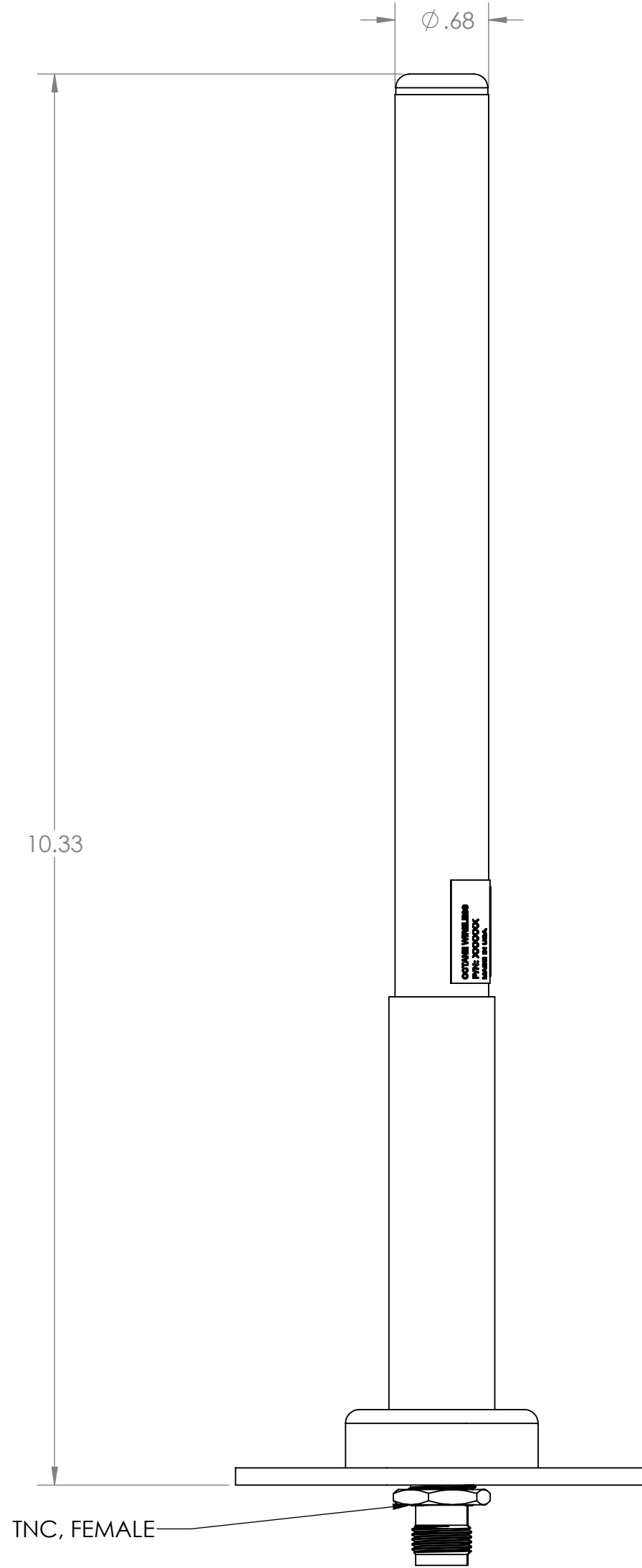


NOTES:

- OCTANE WIRELESS P/N: 103434
- TRACEABILITY: OCTANE WIRELESS S/N
- PART MARKING: OCTANE WIRELESS P/N
- FREQUENCY OF OPERATION: 900-930 MHz
- WEIGHT: 10.5 OZ

REVISIONS				
ZONE	REV.	DESCRIPTION	DATE	APPROVED
N/A	A	ENG RELEASE	12/3/2020	BZG



PROPRIETARY AND CONFIDENTIAL
 THE INFORMATION CONTAINED IN THIS DRAWING IS THE SOLE PROPERTY OF PHARAD, LLC. ANY REPRODUCTION IN PART OR AS A WHOLE WITHOUT THE WRITTEN PERMISSION OF PHARAD, LLC IS PROHIBITED.

UNLESS OTHERWISE SPECIFIED: DIMENSIONS ARE IN INCHES TOLERANCES: TWO PLACE DECIMAL $\pm .010$ THREE PLACE DECIMAL $\pm .005$ ANGULAR $\pm 1^\circ$	DRAWN	NAME	DATE
MATERIAL SEE NOTES	CHECKED	BZG	12/3/2020
FINISH SEE NOTES	ENG APPR.		
DO NOT SCALE DRAWING	MFG APPR.		

OCTANE WIRELESS 1340 CHARWOOD ROAD, SUITE L HANOVER, MD 21076	
TITLE: ASSEMBLY, VEHICLE MOUNT SPRING ANTENNA, 900-930 MHZ, VP, TNC FEMALE	
SIZE C	DWG. NO. VSV-900-930
REV A	
SHEET 1 OF 1	