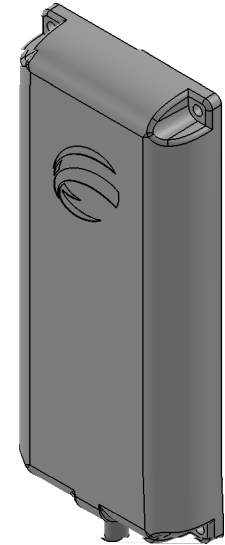
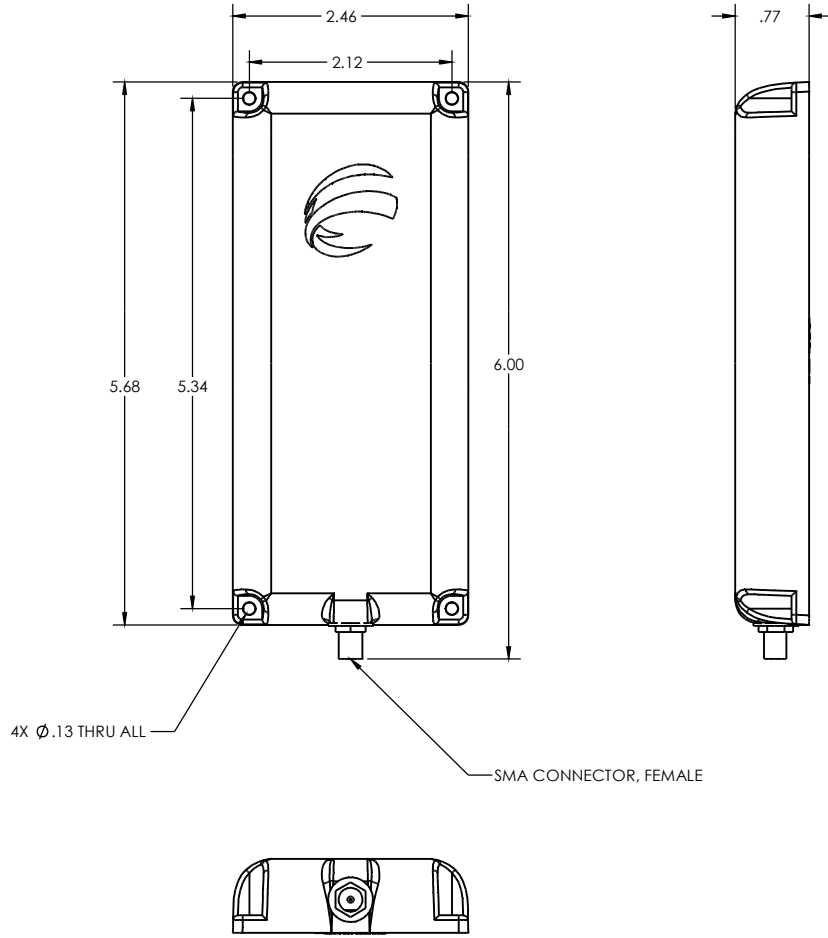


- NOTES:
- OCTANE WIRELESS P/N: 103383
 - TRACEABILITY: OCTANE WIRELESS S/N
 - PART MARKING: OCTANE WIRELESS MODEL NUMBER
 - FREQUENCY OF OPERATION: 600-4200 MHZ
 - WEIGHT: 3 OZ

REVISIONS				
ZONE	REV.	DESCRIPTION	DATE	APPROVED
N/A	A	ENG RELEASE	8/20/2020	BZG



PROPRIETARY AND CONFIDENTIAL
 THE INFORMATION CONTAINED IN THIS DRAWING IS THE SOLE PROPERTY OF PHARAD, LLC. ANY REPRODUCTION IN PART OR AS A WHOLE WITHOUT THE WRITTEN PERMISSION OF PHARAD, LLC IS PROHIBITED.

UNLESS OTHERWISE SPECIFIED: DIMENSIONS ARE IN INCHES TOLERANCES: TWO PLACE DECIMAL ±.010 THREE PLACE DECIMAL ±.005 ANGULAR ±1°	DRAWN BZG	NAME BZG	DATE 8/20/2020	OCTANE WIRELESS 1340 CHARWOOD ROAD, SUITE L HANOVER, MD 21074 ASSEMBLY, 600-4200 MHZ, LOW PROFILE ANTENNA
MATERIAL SEE NOTES	CHECKED	ENG APPR.	MFG APPR.	
FINISH SEE NOTES	COMMENTS:			
DO NOT SCALE DRAWING	SIZE C	DWG. NO. LP-600-4200	REV A	
SCALE: 1:2			SHEET 1 OF 1	