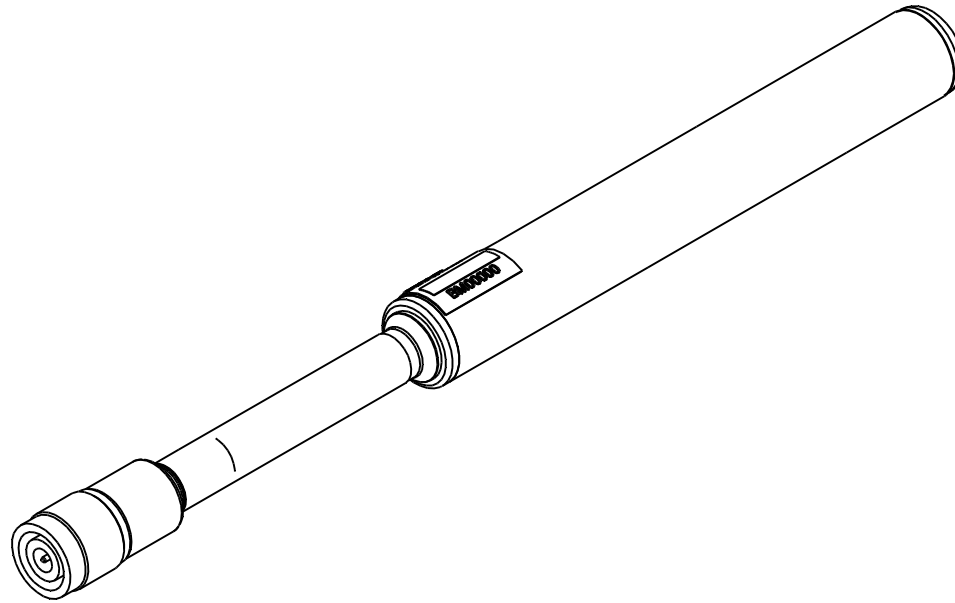
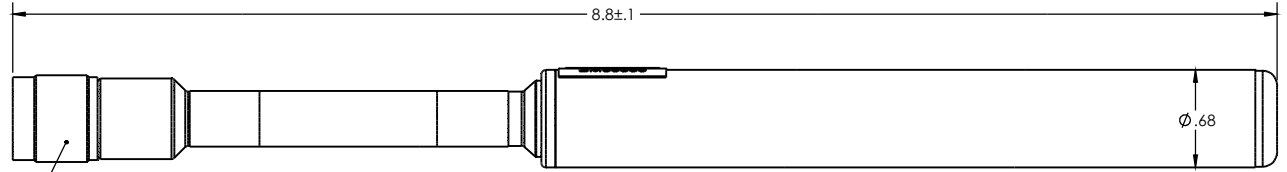


1. PHARAD P/N: 103192
2. TRACEABILITY: TAGGED WITH PHARAD S/N
3. PART MARKING: PHARAD PART NUMBER LABEL 102371-034
4. FREQUENCY OF OPERATION: 5000-5900 MHZ
5. WEIGHT: 2.6 OZ

REVISIONS				
ZONE	REV.	DESCRIPTION	DATE	APPROVED
N/A	A	INITIAL RELEASE	10/2/2019	BZG
N/A	B	UPDATED CAP AND RADOME TO MATTE FINISH	5/3/2020	BZG



TNC CONNECTOR, MALE



PROPRIETARY AND CONFIDENTIAL
 THE INFORMATION CONTAINED IN THIS DRAWING IS THE SOLE PROPERTY OF PHARAD, LLC. ANY REPRODUCTION IN PART OR AS A WHOLE WITHOUT THE WRITTEN PERMISSION OF PHARAD, LLC IS PROHIBITED.

UNLESS OTHERWISE SPECIFIED:		NAME	DATE	PHARAD, LLC 1340 CHARWOOD ROAD, SUITE L HANOVER, MD 21076
DIMENSIONS ARE IN INCHES	DRAWN	BZG	10/2/2019	TITLE: ASSEMBLY, PCB SPRING ANTENNA, 5000-5900, 0.7 IN RADOME, HORIZONTAL POLARIZATION SIZE DWG. NO. REV C SH-5000-5900 B
TOLERANCES:	CHECKED			
TWO PLACE DECIMAL ±.010	ENG APPR.			
THREE PLACE DECIMAL ±.005	MFG APPR.			
ANGULAR ±1°	MATERIAL			COMMENTS:
	SEE NOTES			
	FINISH			
	SEE NOTES			
	DO NOT SCALE DRAWING			