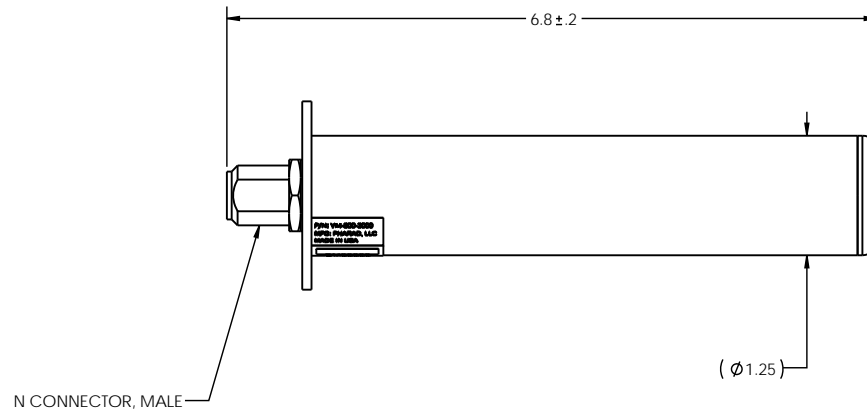


- NOTES:
1. PHARAD P/N: 100240
 2. TRACEABILITY: PHARAD S/N LABEL
 3. PART MARKING: PHARAD LABEL
 4. FREQUENCY OF OPERATION 800-3000 MHz
 5. WEIGHT: <8 OZ

REVISIONS				
ZONE	REV.	DESCRIPTION	DATE	APPROVED
N/A	B	RELEASE TO PRODUCTION	8/17/2011	JRL



PROPRIETARY AND CONFIDENTIAL
 THE INFORMATION CONTAINED IN THIS DRAWING IS THE SOLE PROPERTY OF PHARAD, LLC. ANY REPRODUCTION IN PART OR AS A WHOLE WITHOUT THE WRITTEN PERMISSION OF PHARAD, LLC IS PROHIBITED.

UNLESS OTHERWISE SPECIFIED:		NAME	DATE	PHARAD, LLC 197 CROMWELL PARK DRIVE, SUITE V GLEN BURNIE, MD 21061
DIMENSIONS ARE IN INCHES		JRL	8/16/2011	
TOLERANCES:		CHECKED	DATE	TITLE: ASSEMBLY, VEHICLE MOUNT ANTENNA, 800-3000 MHz
TWO PLACE DECIMAL ±.010		DN	8/16/2011	
THREE PLACE DECIMAL ±.005		AF	8/16/2011	
ANGULAR ±1°		COMMENTS:		SIZE DWG. NO.
MATERIAL		SEE NOTES		C VM-800-3000
FINISH		SEE NOTES		REV B
DO NOT SCALE DRAWING		SCALE: 1:1		SHEET 1 OF 1