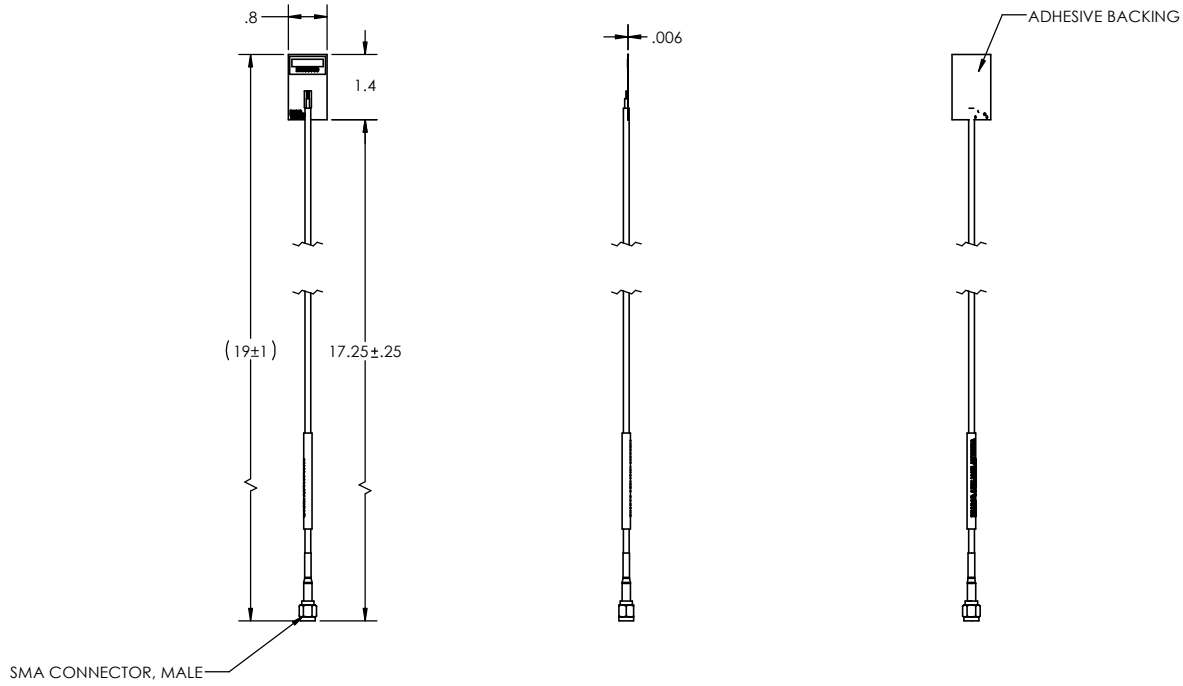


NOTES:

1. PHARAD P/N: 102019
2. TRACEABILITY: PHARAD S/N
3. PART MARKING: PHARAD MODEL NUMBER LABEL
4. FREQUENCY OF OPERATION: 3000-10000 MHz
5. WEIGHT: 1 OZ

REVISIONS				
ZONE	REV.	DESCRIPTION	DATE	APPROVED
N/A	A-01	ENG RELEASE	6/26/2013	HJJ



SMA CONNECTOR, MALE

PROPRIETARY AND CONFIDENTIAL
 THE INFORMATION CONTAINED IN THIS DRAWING IS THE SOLE PROPERTY OF PHARAD, LLC. ANY REPRODUCTION IN PART OR AS A WHOLE WITHOUT THE WRITTEN PERMISSION OF PHARAD, LLC IS PROHIBITED.

UNLESS OTHERWISE SPECIFIED:		NAME	DATE	PHARAD, LLC 1340 CHARWOOD ROAD, SUITE L HANNOVER, MD 21076 TITLE: APPLIQUE ANTENNA, 3000-10000 MHz SIZE DWG. NO. REV C AA-3000-10000 A-01 SCALE: 1:4 SHEET 1 OF 1
DIMENSIONS ARE IN INCHES		DRAWN	HJJ	
TOLERANCES:		CHECKED	DG	
TWO PLACE DECIMAL $\pm .010$		ENG APPR.	DN	
THREE PLACE DECIMAL $\pm .005$		MFG APPR.	AF	
ANGULAR $\pm 1^\circ$		COMMENTS:		
MATERIAL:		SEE NOTES		
FINISH:		SEE NOTES		
DO NOT SCALE DRAWING				