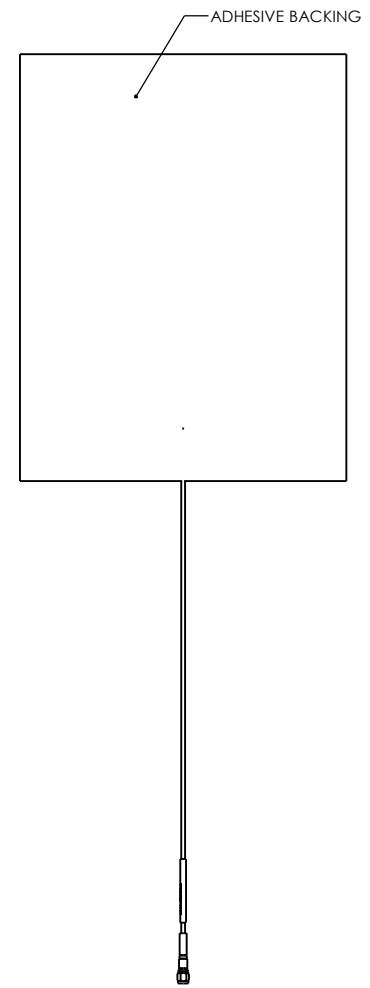
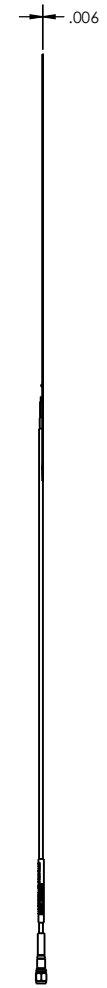
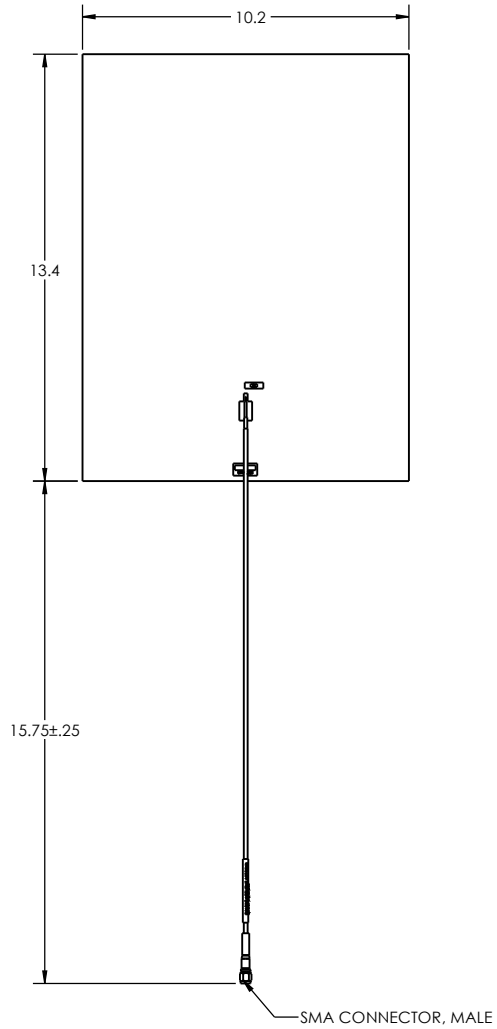


NOTES:

1. PHARAD P/N: 102283
2. TRACEABILITY: PHARAD S/N
3. PART MARKING: PHARAD MODEL NUMBER
4. FREQUENCY OF OPERATION: 30-512 MHz
5. WEIGHT: 1 OZ

| REVISIONS | | | | |
|-----------|------|----------------|-----------|----------|
| ZONE | REV. | DESCRIPTION | DATE | APPROVED |
| N/A | A-01 | ENG RELEASE | 12/4/2013 | HJJ |
| N/A | A-02 | MOVE S/N LABEL | 2/14/2014 | HJJ |



PROPRIETARY AND CONFIDENTIAL
 THE INFORMATION CONTAINED IN THIS DRAWING IS THE SOLE PROPERTY OF PHARAD, LLC. ANY REPRODUCTION IN PART OR AS A WHOLE WITHOUT THE WRITTEN PERMISSION OF PHARAD, LLC IS PROHIBITED.

| | | | | | | | | | | | |
|-----------------------------|--|--|--|--------------|--|----------------------|--|----------------------|--|---|--|
| UNLESS OTHERWISE SPECIFIED: | | | | DRAWN: HJJ | | NAME: HJJ | | DATE: 11/26/2013 | | PHARAD, LLC 1340 CHARWOOD ROAD, SUITE L HANOVER, MD 21076 | |
| DIMENSIONS ARE IN INCHES | | | | CHECKED: DG | | NAME: DG | | DATE: 11/26/2013 | | TITLE: | |
| TOLERANCES: | | | | ENG APPR: DN | | NAME: DN | | DATE: 11/26/2013 | | APPLIQUE ANTENNA, 30-512 MHz | |
| TWO PLACE DECIMAL ±.010 | | | | MFG APPR: AF | | NAME: AF | | DATE: 11/26/2013 | | | |
| THREE PLACE DECIMAL ±.005 | | | | COMMENTS: | | | | | | | |
| ANGULAR ±1° | | | | SEE NOTES | | SEE NOTES | | DO NOT SCALE DRAWING | | SIZE DWG. NO. REV | |
| MATERIAL | | | | SEE NOTES | | SEE NOTES | | SCALE: 1:4 | | C AA-30-512 A-02 | |
| FINISH | | | | SEE NOTES | | DO NOT SCALE DRAWING | | SHEET 1 OF 1 | | | |