

GPS Wearable Antenna



Model Shown: BW-1228/1575

Features

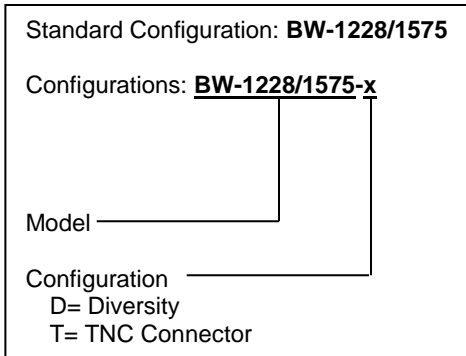
- GPS L1/L2 wearable antenna
- Waterproof cover
- Flexible material
- Cover – unobtrusive
- Small and lightweight
- Can be integrated with
 - Helmet
 - Body Armor Vest

Characteristics

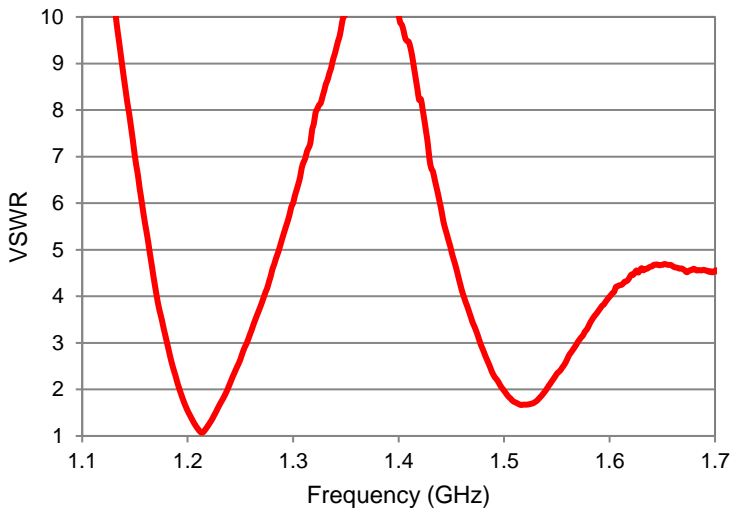
Model Number	BW-1228/1575
Frequency	1227.6/1575.4 MHz
Gain†	0 dBi
Pattern	Near omni
Polarization	RHCP
VSWR†	< 2:1
Radiator Size (L x W x D)	3.4" x 4.2" x 0.3"
Cable Length	16.5"
Radiator Weight	< 1.5 oz
Connector Type	SMA

†Measured on phantom as surrogate body.

How to Buy

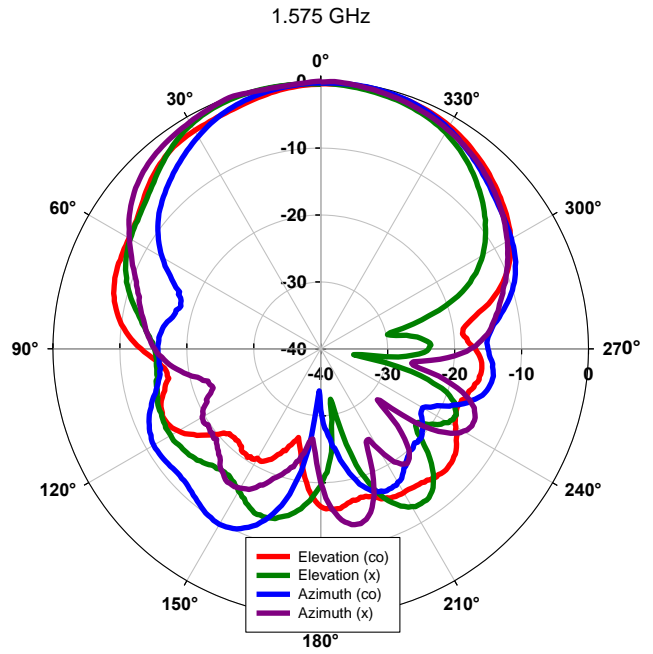
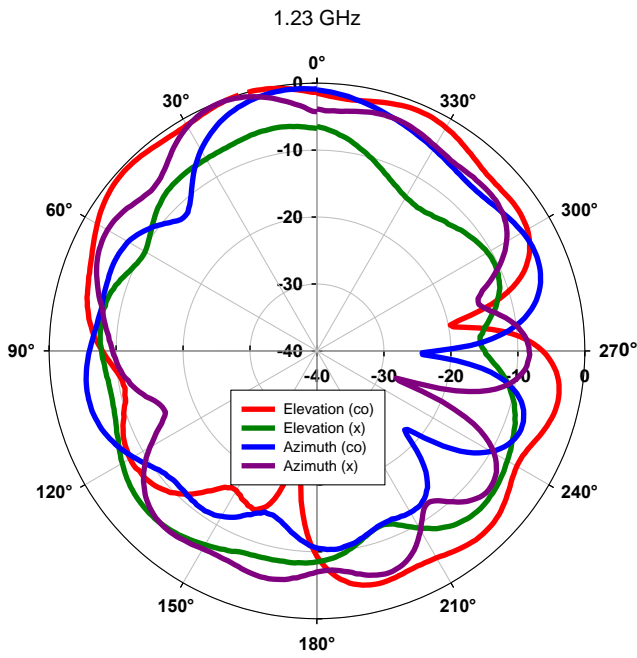


VSWR



Model Shown: BW-1228/1575-D

Radiation Patterns



octane is a division of Pharad, LLC. Octane and Flexenna are registered trademarks of Pharad, LLC. Specifications subject to change without notice.

1340 Charwood Road, Suite L • Hanover, MD 21076 • phone 410-590-3333 • email info@pharad.com
www.pharad.com