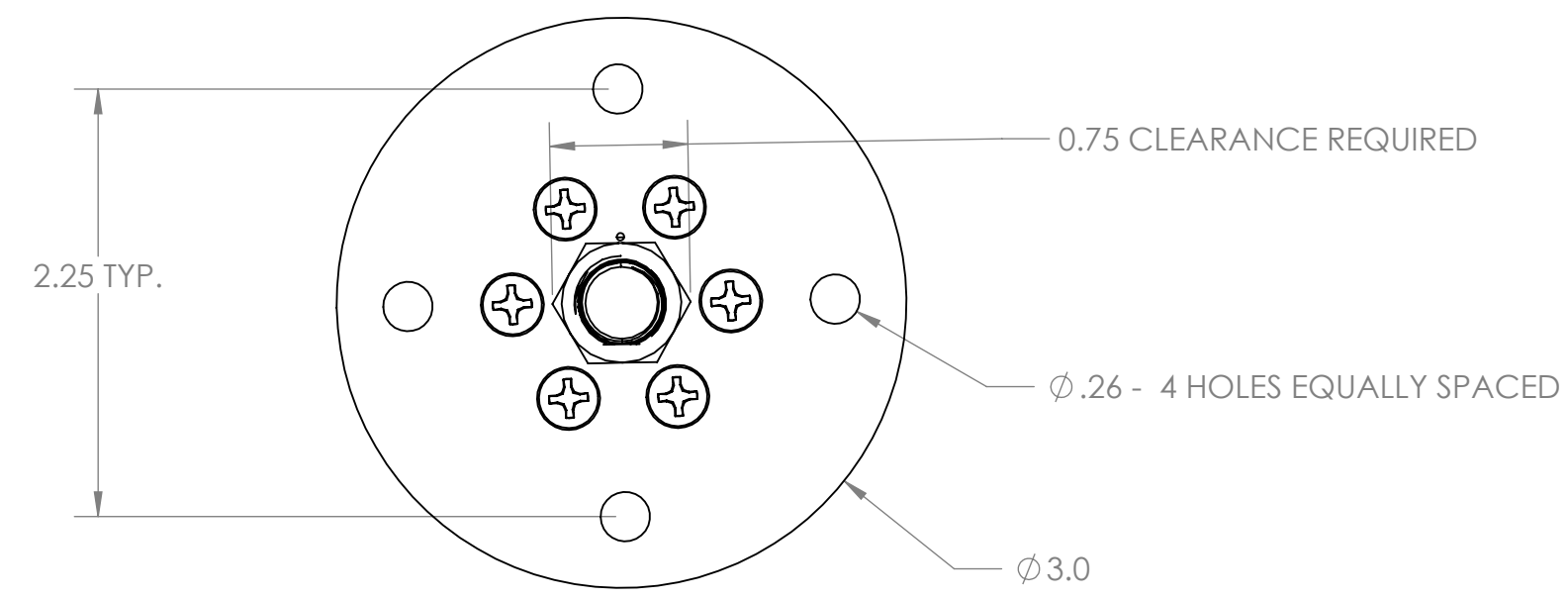
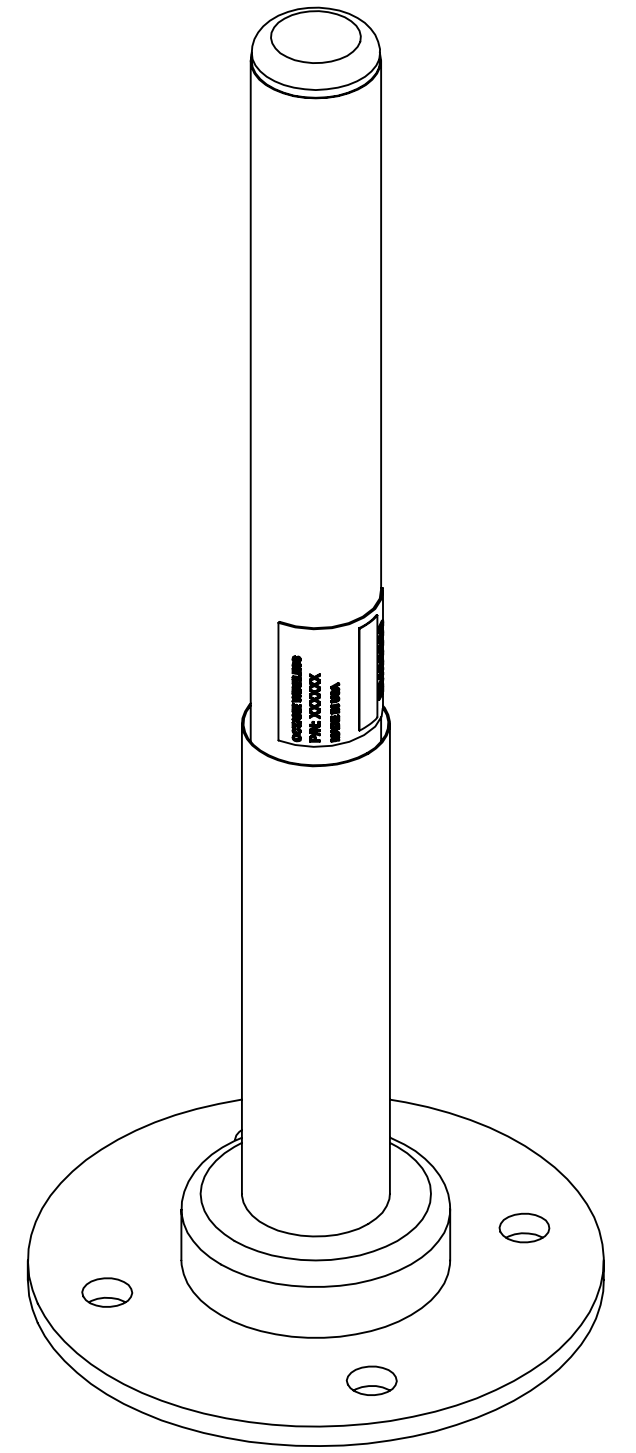
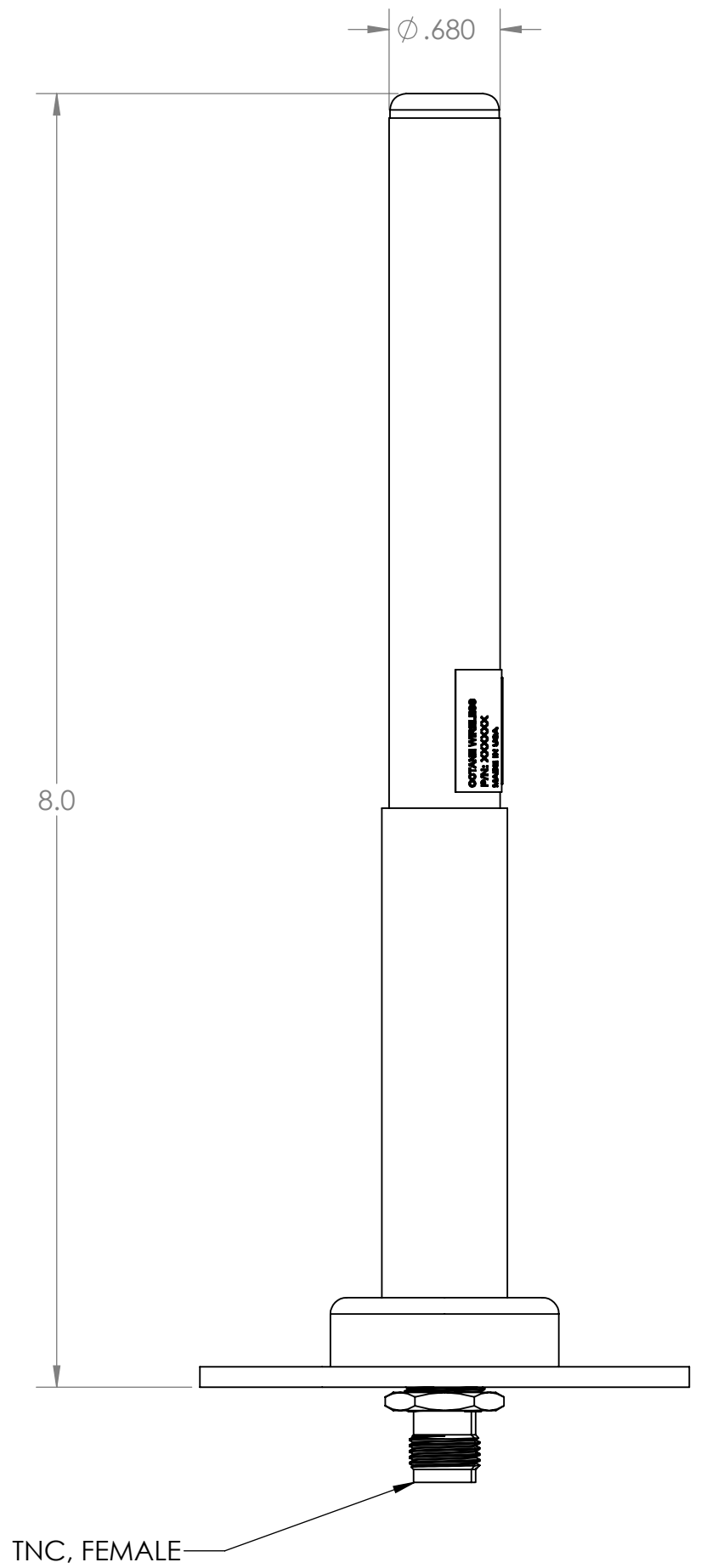


NOTES:

1. OCTANE WIRELESS P/N: 103277
2. TRACEABILITY: OCTANE WIRELESS S/N
3. PART MARKING: OCTANE WIRELESS P/N
4. FREQUENCY OF OPERATION: 4400-5000 MHZ
5. WEIGHT: 8.2 OZ

REVISIONS				
ZONE	REV.	DESCRIPTION	DATE	APPROVED
N/A	A	ENG RELEASE	5/19/2020	BZG
N/A	B	MODIFIED HEATSHRINK LENGTH	6/30/2020	BZG



PROPRIETARY AND CONFIDENTIAL
 THE INFORMATION CONTAINED IN THIS DRAWING IS THE SOLE PROPERTY OF PHARAD, LLC. ANY REPRODUCTION IN PART OR AS A WHOLE WITHOUT THE WRITTEN PERMISSION OF PHARAD, LLC IS PROHIBITED.

UNLESS OTHERWISE SPECIFIED:	NAME	DATE	OCTANE WIRELESS 1340 CHARWOOD ROAD, SUITE L HANOVER, MD 21076
DIMENSIONS ARE IN INCHES	DRAWN	BZG 5/19/2020	
TOLERANCES: TWO PLACE DECIMAL $\pm .010$ THREE PLACE DECIMAL $\pm .005$ ANGULAR $\pm 1^\circ$	CHECKED		
MATERIAL	ENG APPR.		
SEE NOTES	MFG APPR.		TITLE: ASSEMBLY, VEHICLE MOUNT SPRING ANTENNA, 4400- 5000 MHZ, VP, TNC FEMALE SIZE DWG. NO. REV C VSV-4400-5000 B
FINISH	COMMENTS:		
DO NOT SCALE DRAWING			