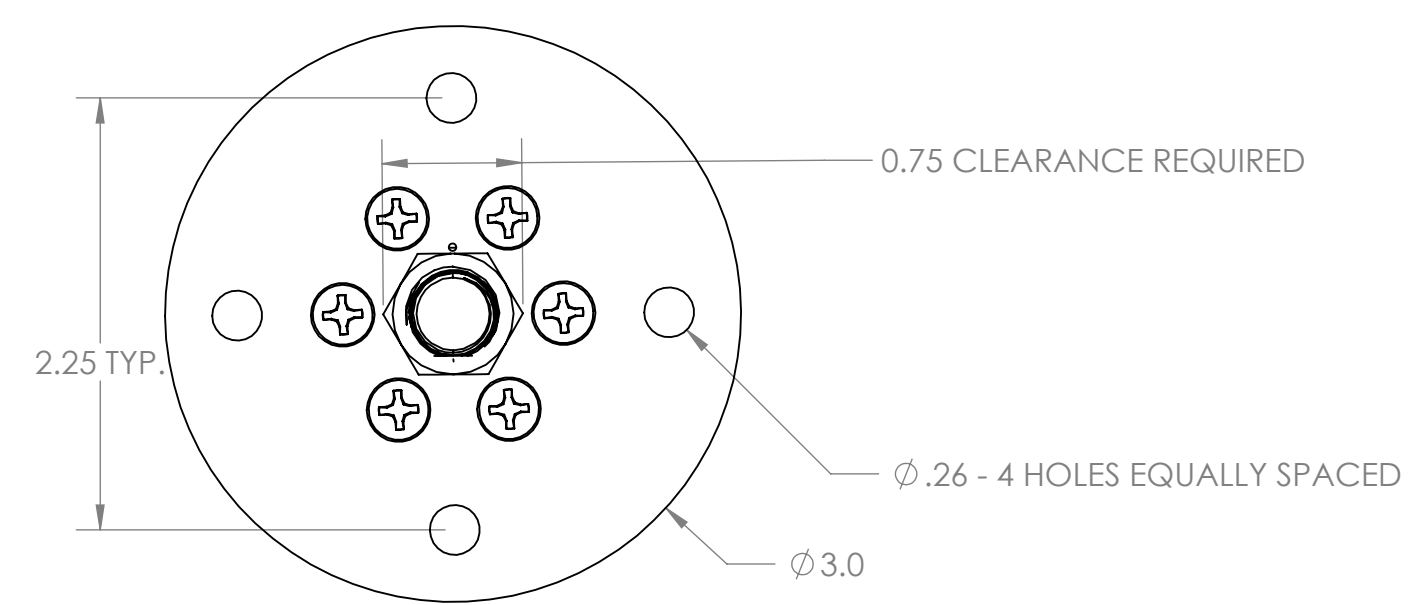
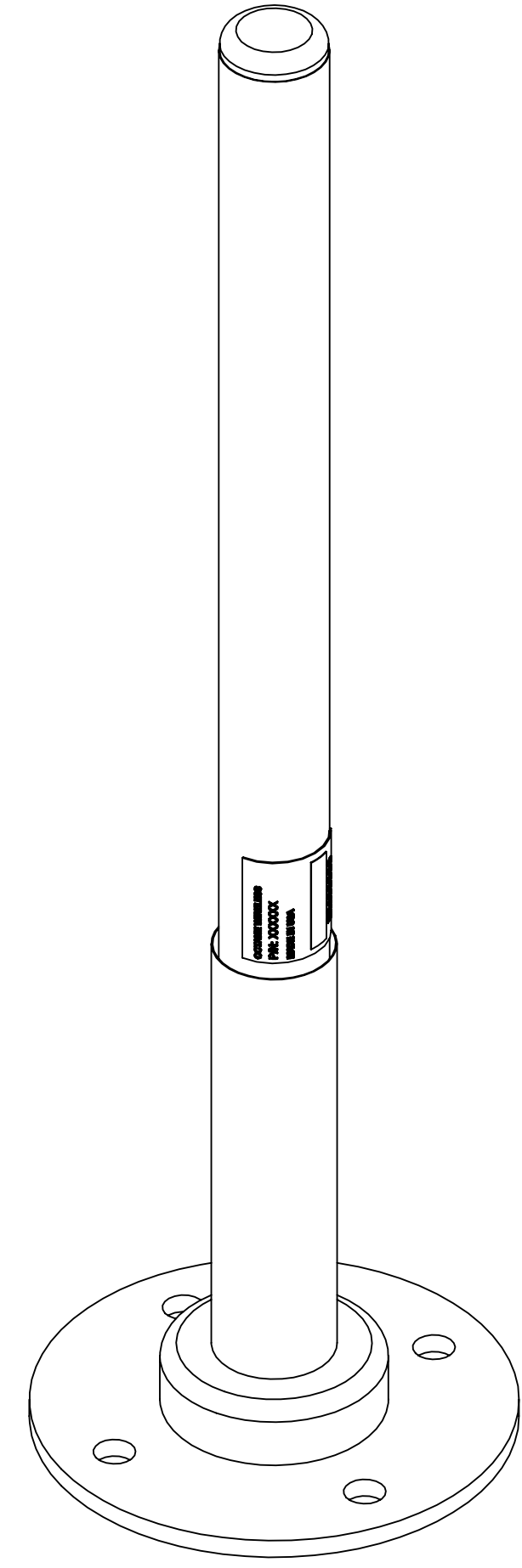
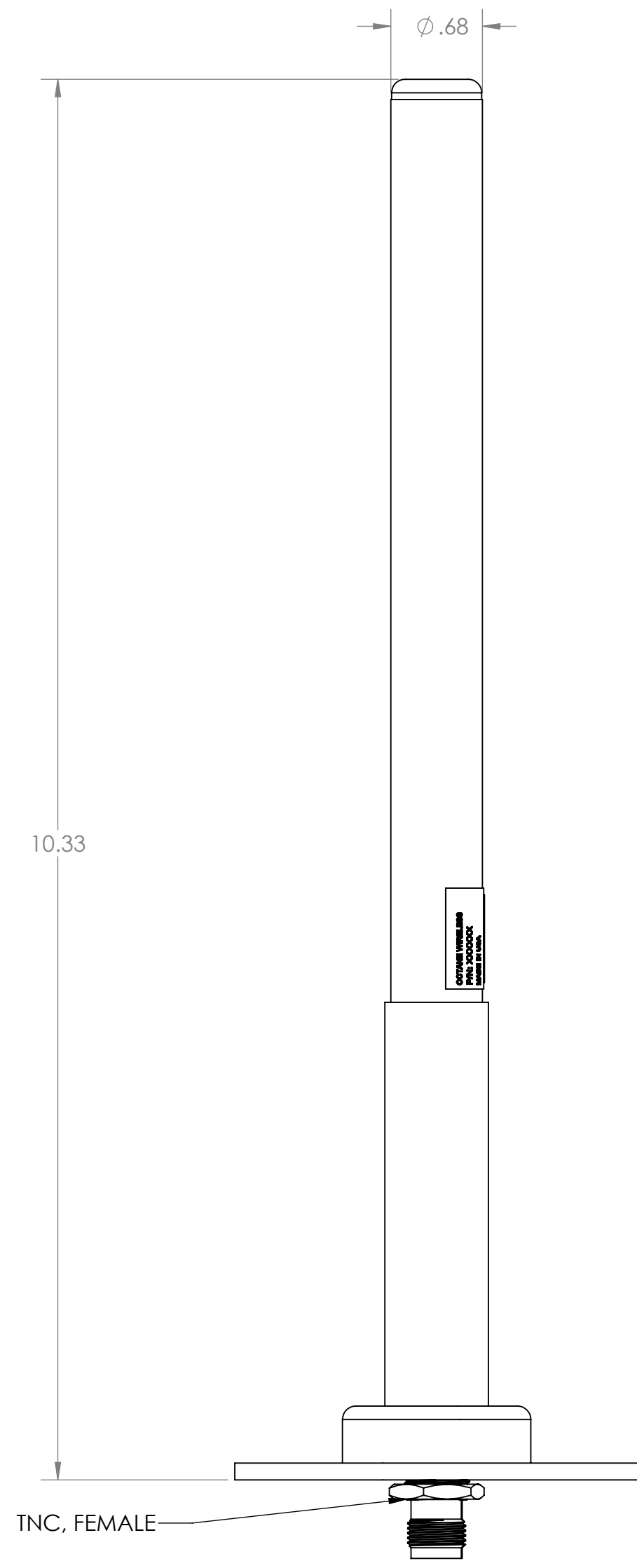


NOTES:

1. OCTANE WIRELESS P/N: 103275
2. TRACEABILITY: OCTANE WIRELESS S/N
3. PART MARKING: OCTANE WIRELESS P/N
4. FREQUENCY OF OPERATION: 2200-2500 MHZ
5. WEIGHT: 10.5 OZ

REVISIONS				
ZONE	REV.	DESCRIPTION	DATE	APPROVED
N/A	A	ENG RELEASE	5/19/2020	BZG
N/A	B	MODIFIED HEATSHRINK LENGTH	6/30/2020	BZG



PROPRIETARY AND CONFIDENTIAL
 THE INFORMATION CONTAINED IN THIS DRAWING IS THE SOLE PROPERTY OF PHARAD, LLC. ANY REPRODUCTION IN PART OR AS A WHOLE WITHOUT THE WRITTEN PERMISSION OF PHARAD, LLC IS PROHIBITED.

UNLESS OTHERWISE SPECIFIED:	NAME	DATE
DIMENSIONS ARE IN INCHES	DRAWN BZG	5/19/2020
TOLERANCES:	CHECKED	
TWO PLACE DECIMAL $\pm .010$	ENG APPR.	
THREE PLACE DECIMAL $\pm .005$	MFG APPR.	
ANGULAR $\pm 1^\circ$	COMMENTS:	
MATERIAL		
SEE NOTES		
FINISH		
SEE NOTES		
DO NOT SCALE DRAWING		

OCTANE WIRELESS 1340 CHARWOOD ROAD, SUITE L HANOVER, MD 21076		
TITLE: ASSEMBLY, VEHICLE MOUNT SPRING ANTENNA, 2200- 2500 MHZ, VP, TNC FEMALE		
SIZE	DWG. NO.	REV
C	VSV-2200-2500	B
SHEET 1 OF 1		