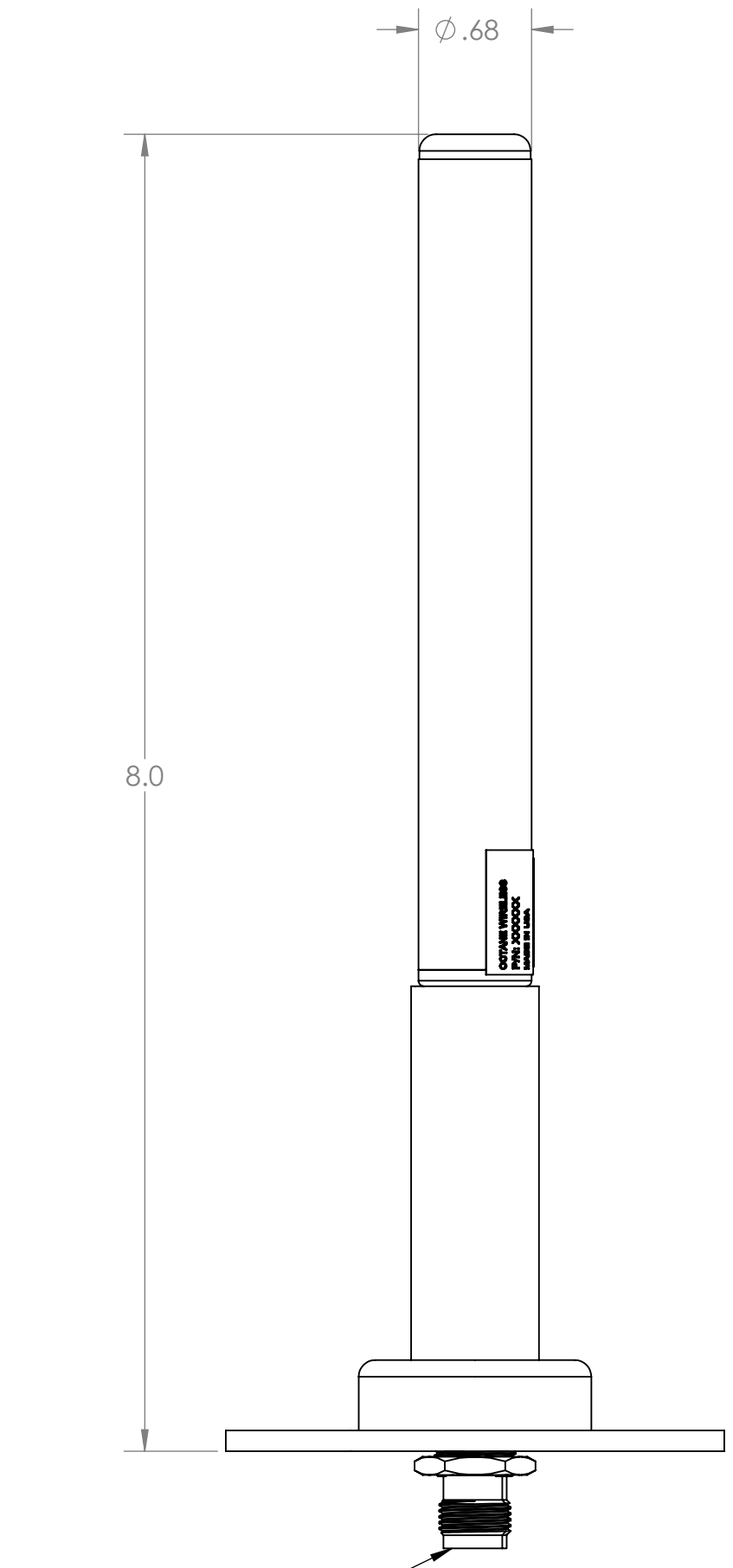


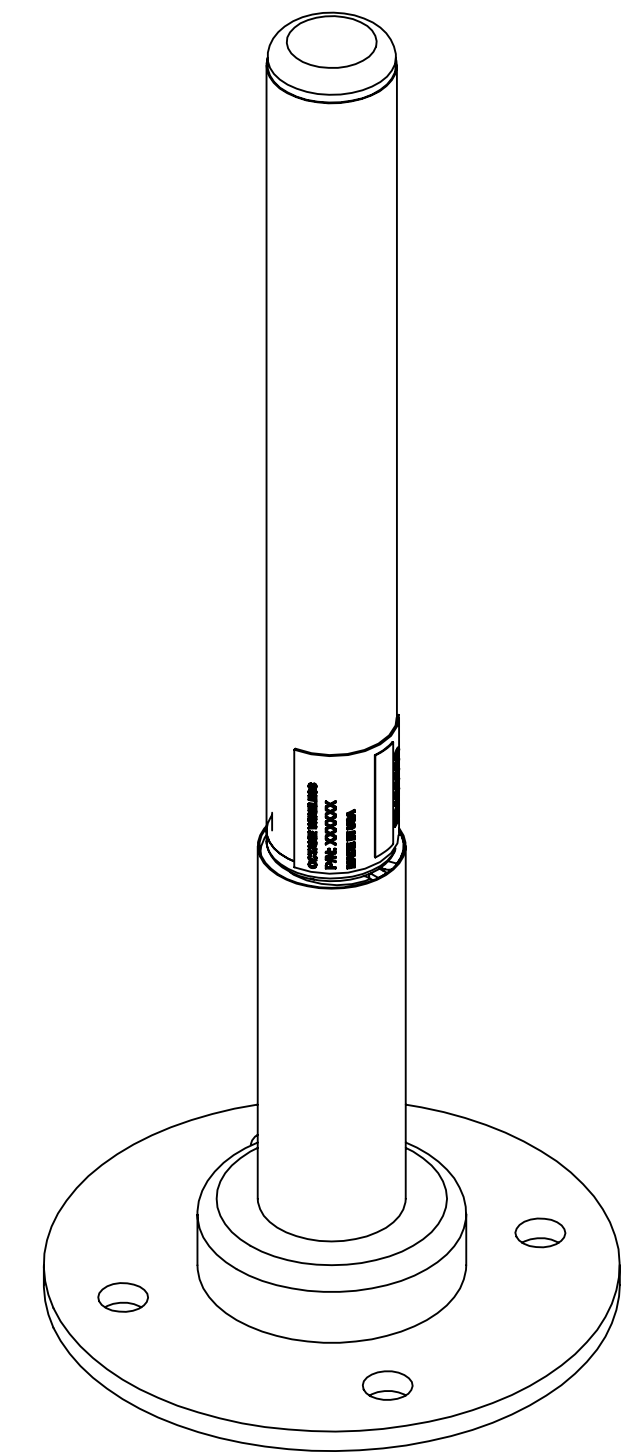
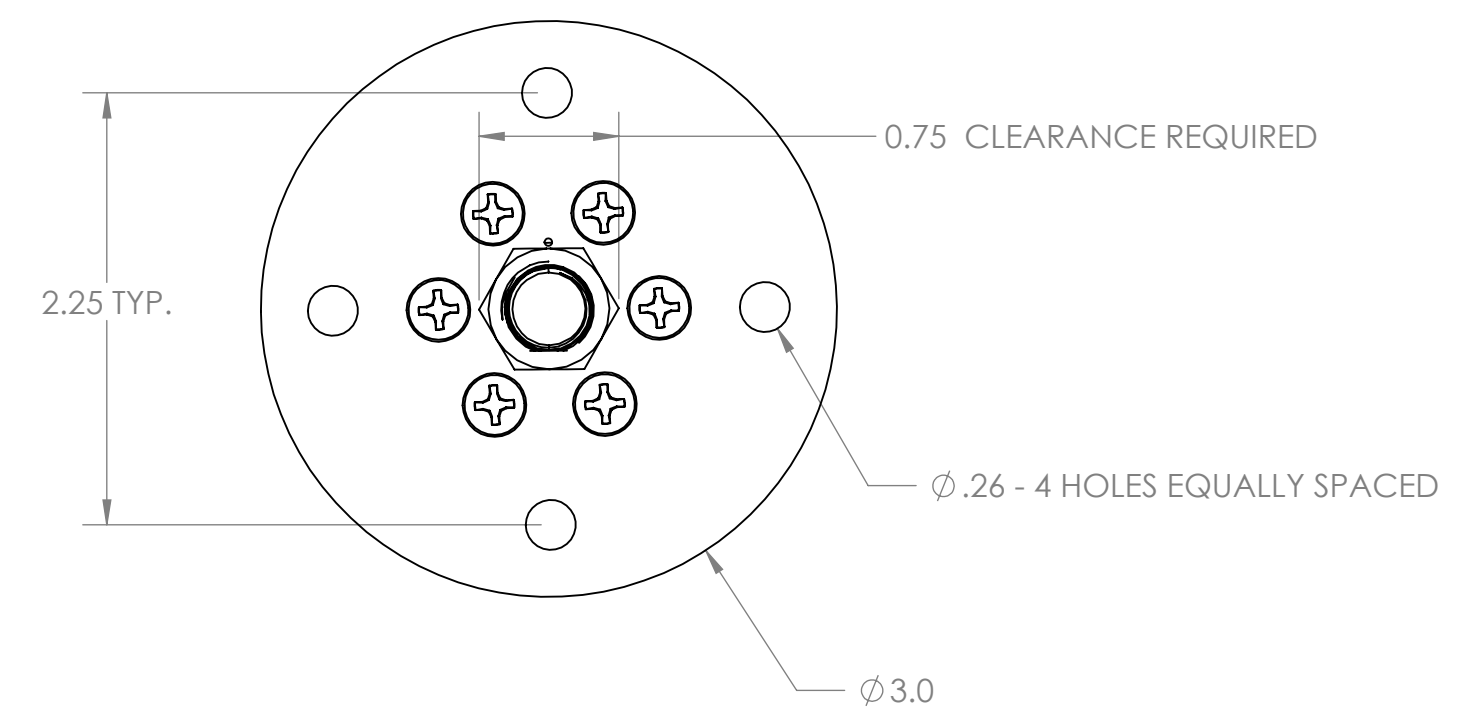
NOTES:

1. OCTANE WIRELESS P/N: 103276
2. TRACEABILITY: OCTANE WIRELESS S/N
3. PART MARKING: OCTANE WIRELESS P/N
4. FREQUENCY OF OPERATION: 4400-5000 MHZ
5. WEIGHT: 8.2 OZ

REVISIONS				
ZONE	REV.	DESCRIPTION	DATE	APPROVED
N/A	A	ENG RELEASE	5/19/2020	BZG



TNC, FEMALE



PROPRIETARY AND CONFIDENTIAL
 THE INFORMATION CONTAINED IN THIS DRAWING IS THE SOLE PROPERTY OF PHARAD, LLC. ANY REPRODUCTION IN PART OR AS A WHOLE WITHOUT THE WRITTEN PERMISSION OF PHARAD, LLC IS PROHIBITED.

UNLESS OTHERWISE SPECIFIED:	NAME	DATE	OCTANE WIRELESS 1340 CHARWOOD ROAD, SUITE L HANOVER, MD 21076
DIMENSIONS ARE IN INCHES	DRAWN	BZG 5/19/2020	
TOLERANCES: TWO PLACE DECIMAL ±.010 THREE PLACE DECIMAL ±.005 ANGULAR ±1°	CHECKED		
MATERIAL	ENG APPR.		
SEE NOTES	MFG APPR.		TITLE: ASSEMBLY, VEHICLE MOUNT SPRING ANTENNA, 4400- 5000 MHZ, HP, TNC FEMALE
FINISH	COMMENTS:		
DO NOT SCALE DRAWING			

SIZE	DWG. NO.	REV
C	VSH-4400-5000	A