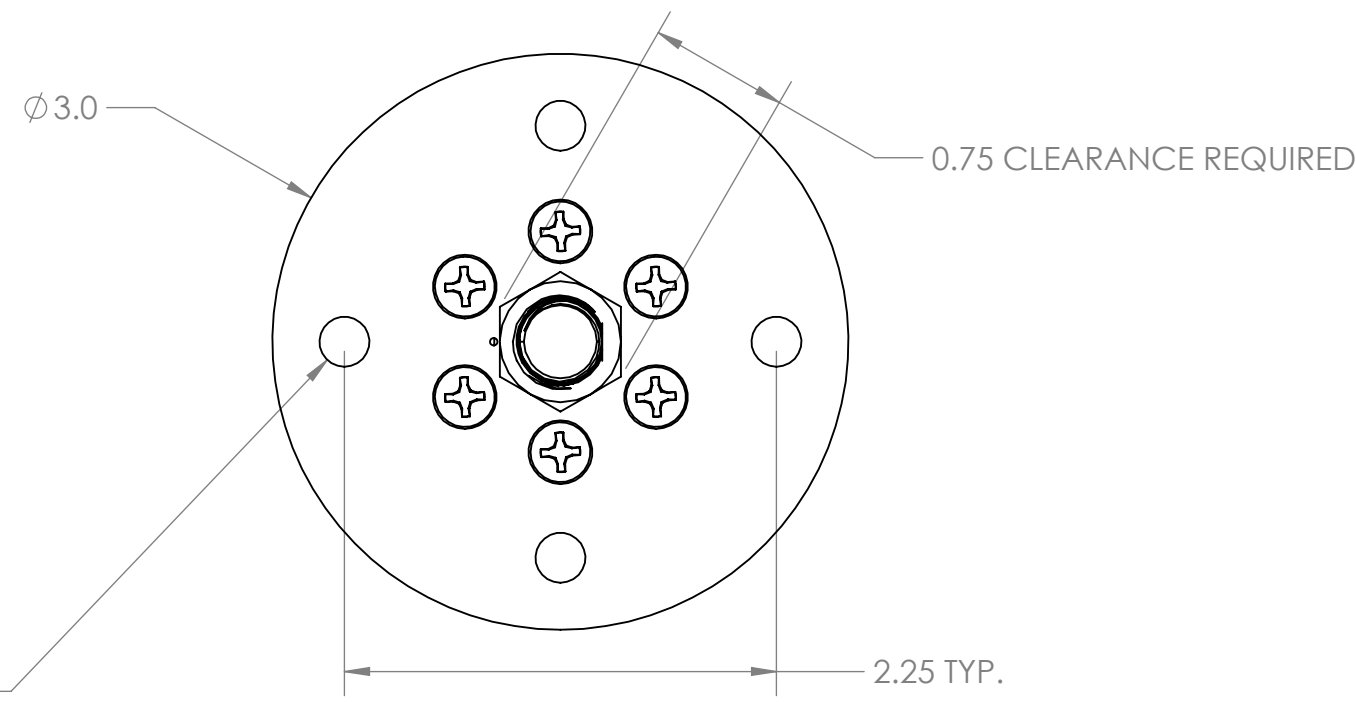
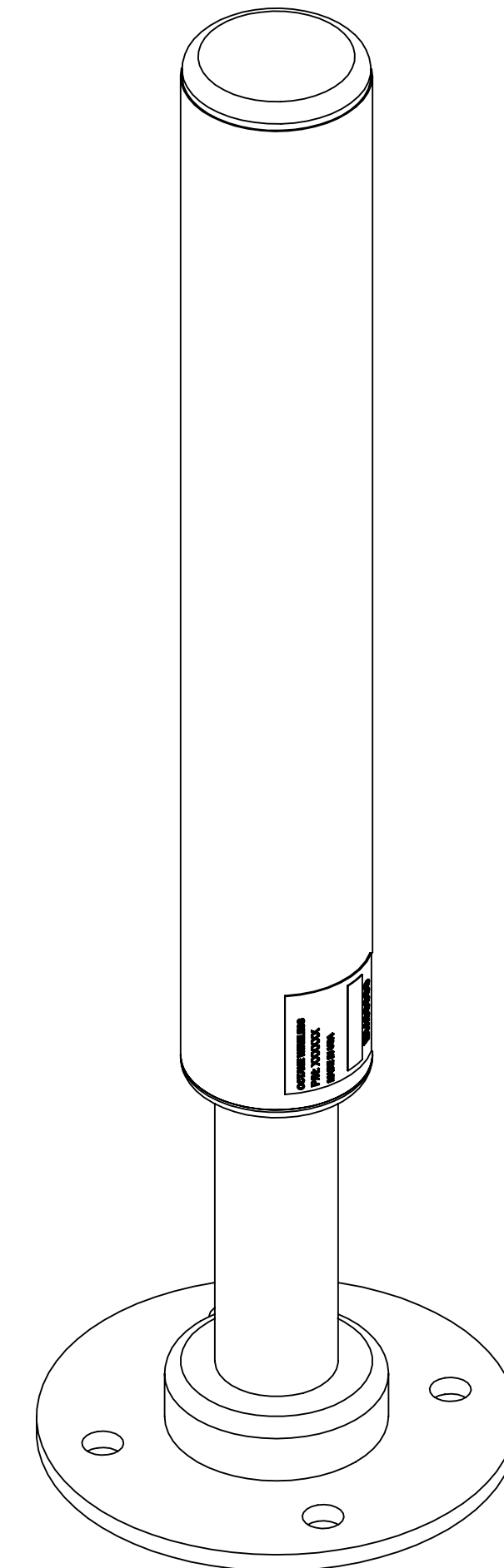
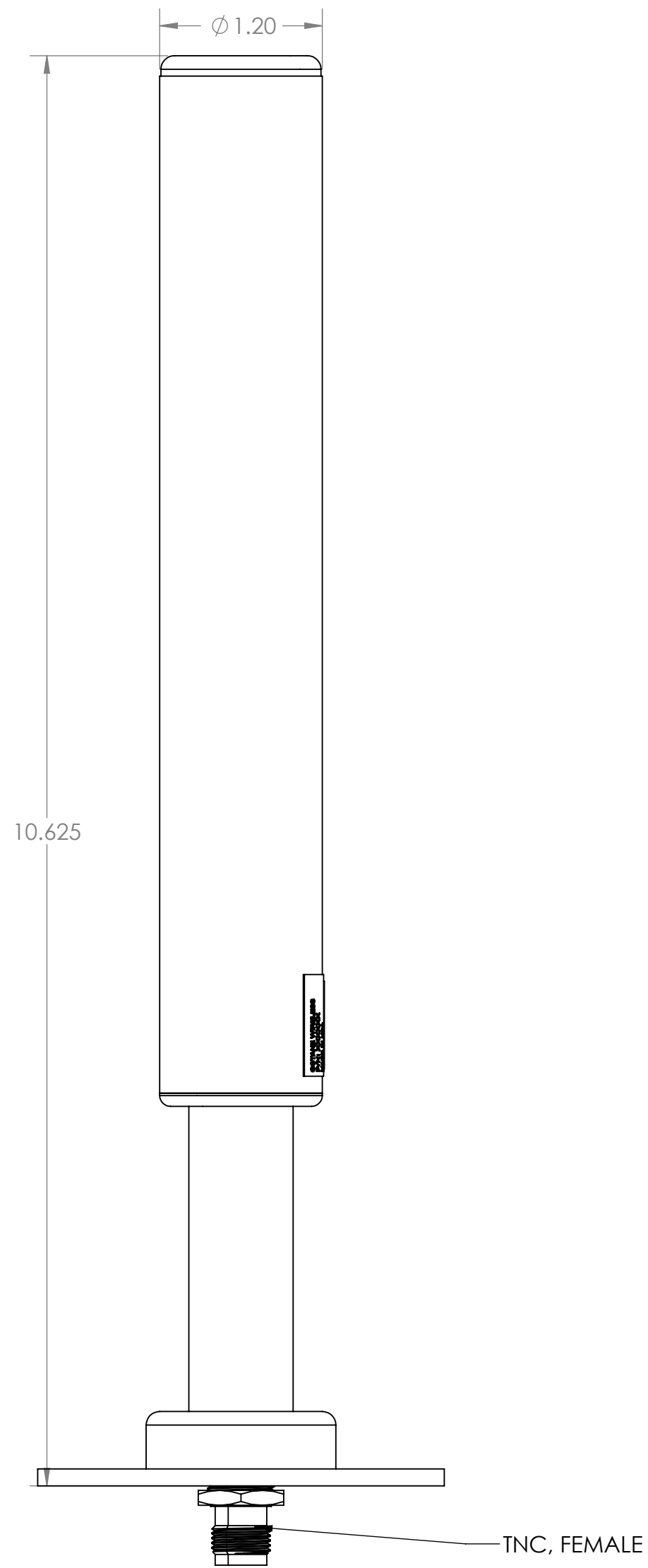


NOTES:

1. OCTANE WIRELESS P/N: 103274
2. TRACEABILITY: OCTANE WIRELESS S/N
3. PART MARKING: OCTANE WIRELESS P/N
4. FREQUENCY OF OPERATION: 2200-2500 MHZ
5. WEIGHT: 12 OZ

REVISIONS				
ZONE	REV.	DESCRIPTION	DATE	APPROVED
N/A	A	ENG RELEASE	5/19/2020	BZG



**PROPRIETARY AND CONFIDENTIAL**  
 THE INFORMATION CONTAINED IN THIS DRAWING IS THE SOLE PROPERTY OF PHARAD, LLC. ANY REPRODUCTION IN PART OR AS A WHOLE WITHOUT THE WRITTEN PERMISSION OF PHARAD, LLC IS PROHIBITED.

UNLESS OTHERWISE SPECIFIED:	NAME	DATE	OCTANE WIRELESS 1340 CHARWOOD ROAD, SUITE L HANOVER, MD 21076	
DIMENSIONS ARE IN INCHES	DRAWN	BZG		5/19/2020
TOLERANCES: TWO PLACE DECIMAL $\pm .010$ THREE PLACE DECIMAL $\pm .005$ ANGULAR $\pm 1^\circ$	CHECKED			
MATERIAL	ENG APPR.			
SEE NOTES	MFG APPR.			
FINISH	COMMENTS:			
SEE NOTES				
DO NOT SCALE DRAWING				

**TITLE:**  
 ASSEMBLY, VEHICLE MOUNT  
 SPRING ANTENNA, 2200-  
 2500 MHZ, HP, TNC FEMALE

SIZE DWG. NO. REV  
**C** VSH-2200-2500 **A**