
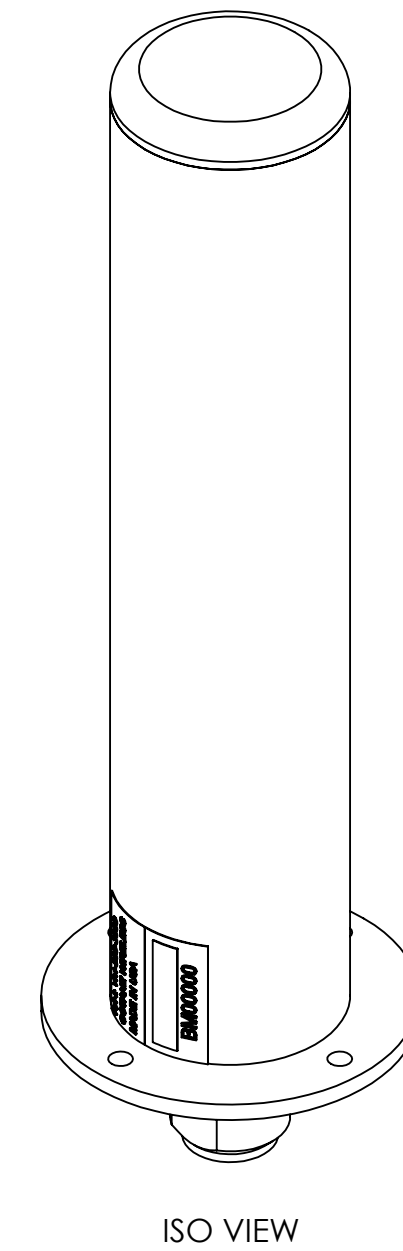
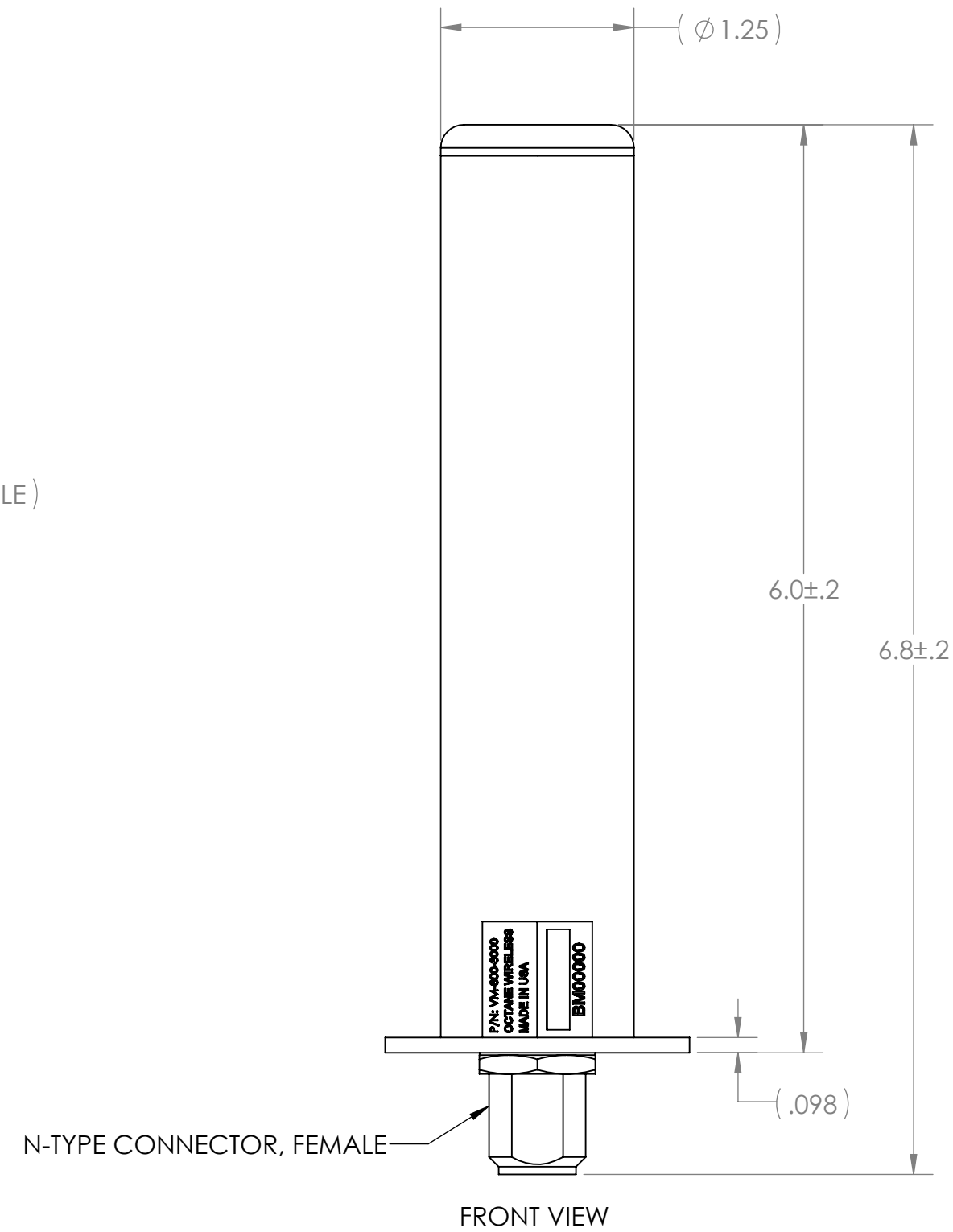
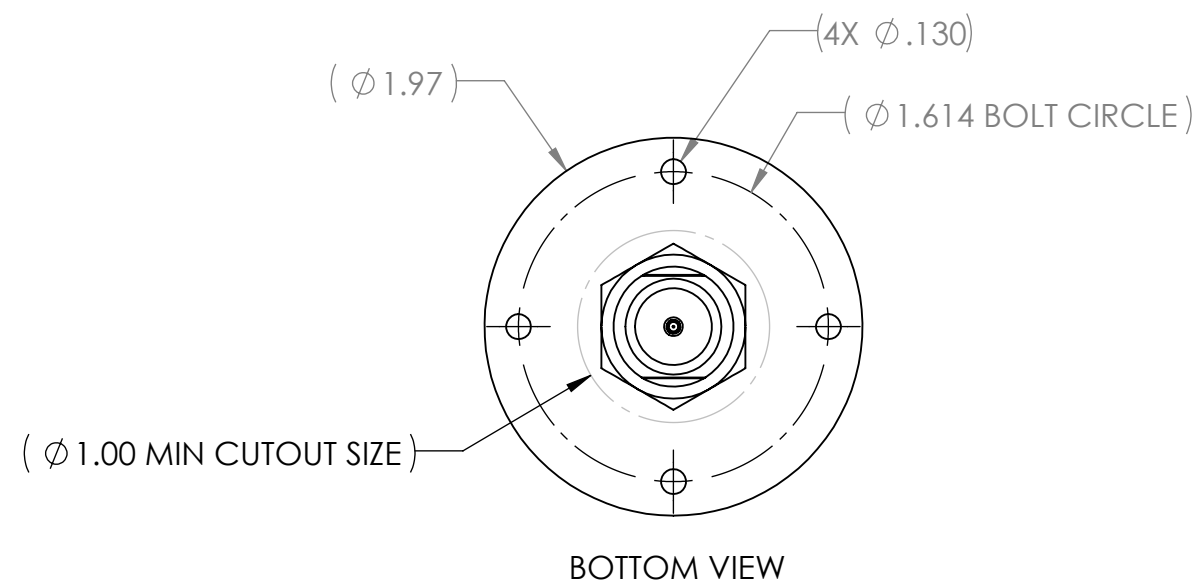


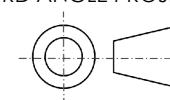
NOTES:

1. OCTANE P/N: 100240
2. TRACEABILITY: OCTANE S/N
3. ALL DIMENSIONS IN PARENTHESES ( ) ARE REFERENCE ONLY.
6. PART MARKING: OCTANE MODEL NUMBER LABEL
5. FREQUENCY RANGE: 800-3000 MHz
6. WEIGHT: 6.0 OZ 

REVISIONS				
ZONE	REV.	DESCRIPTION	DATE	APPROVED
N/A	B	RELEASE TO PRODUCTION	8/17/2011	JRL
F8	C	DWG UPDATE; WEIGHT UPDATE	6/21/2021	CLQ



THIRD ANGLE PROJECTION



PROPRIETARY AND CONFIDENTIAL  
THE INFORMATION CONTAINED IN THIS DRAWING IS THE SOLE PROPERTY OF OCTANE WIRELESS. ANY REPRODUCTION IN PART OR AS A WHOLE WITHOUT THE WRITTEN PERMISSION OF OCTANE WIRELESS IS PROHIBITED.

UNLESS OTHERWISE SPECIFIED:	NAME	DATE
DIMENSIONS ARE IN INCHES	DRAWN JDM	11/22/10
TOLERANCES:	CHECKED CLQ	06/21/21
TWO PLACE DECIMAL ±.010	ENG APPR. DN	08/16/11
THREE PLACE DECIMAL ±.005	MFG APPR. AF	08/16/11
ANGULAR ±1°	COMMENTS:	
MATERIAL	SEE NOTES	
FINISH	SEE NOTES	
DO NOT SCALE DRAWING		

OCTANE WIRELESS 1340 CHARWOOD ROAD, SUITE L HANOVER, MD 21076		
TITLE: ASSEMBLY, VEHICLE MOUNT ANTENNA, 800-3000 MHz, N- TYPE FEMALE CONNECTOR		
SIZE	DWG. NO.	REV
<b>C</b>	VM-800-3000	<b>C</b>
SHEET SCALE 1:1		SHEET 1 OF 1