
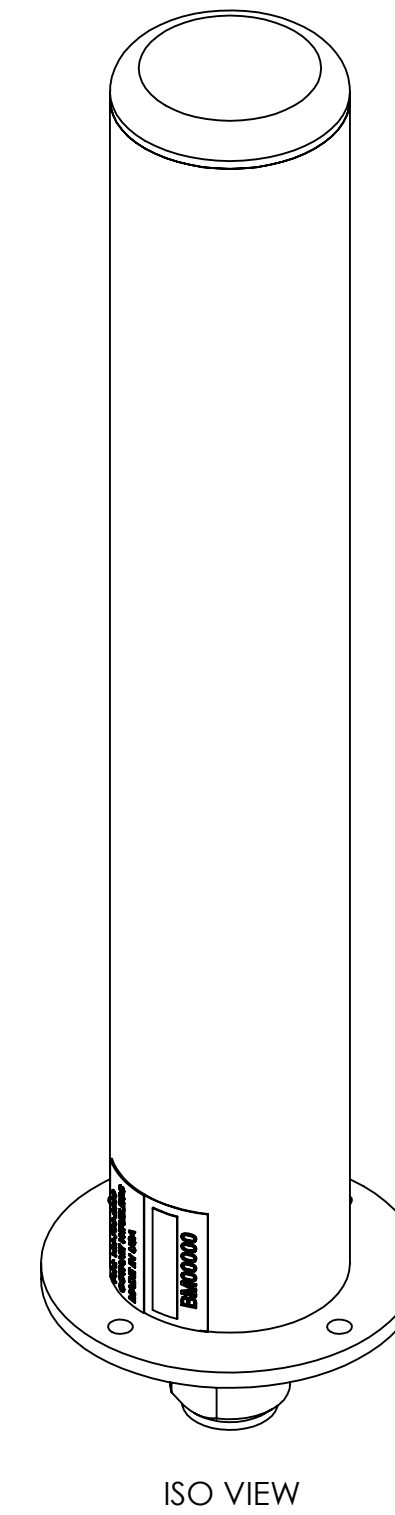
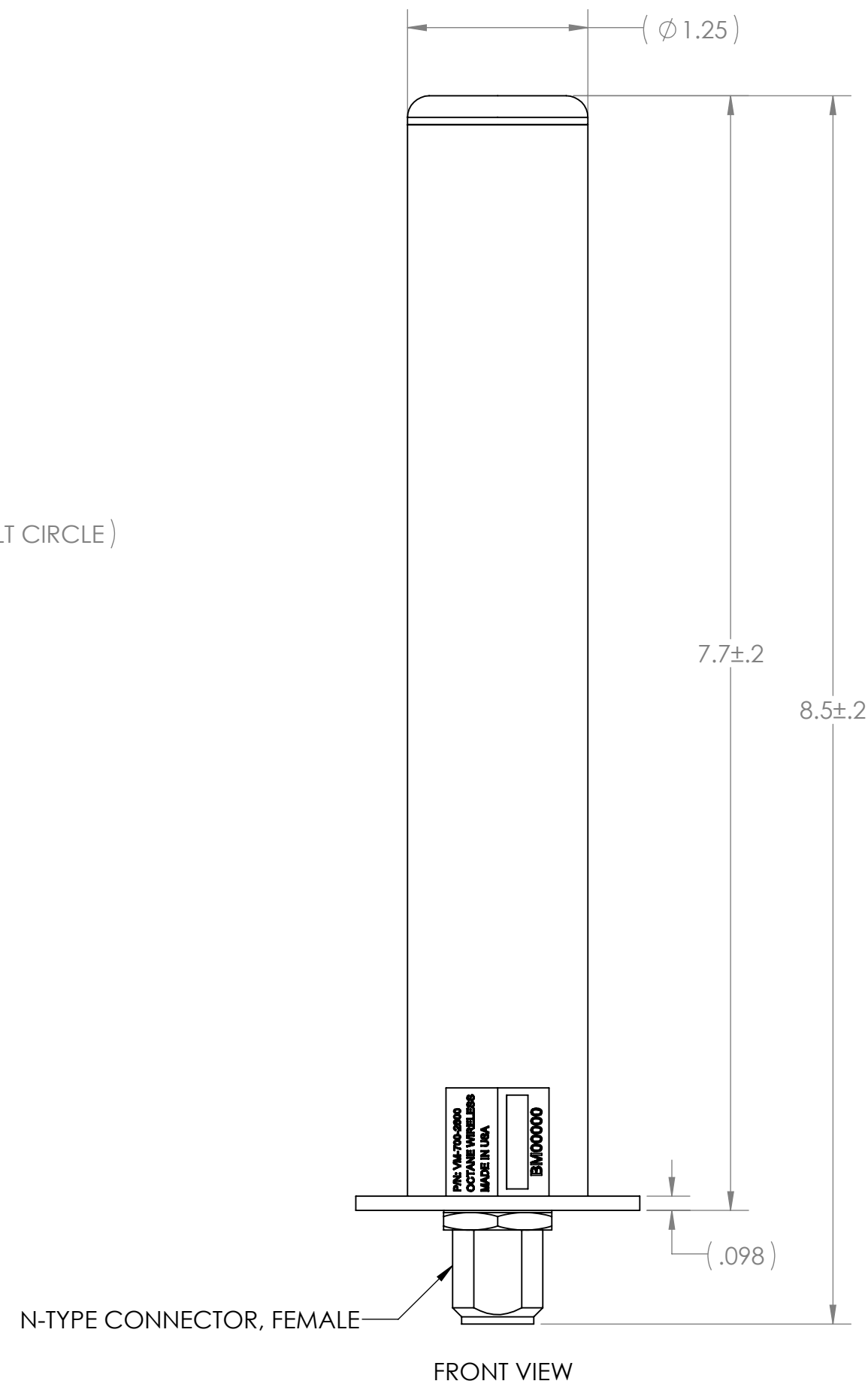
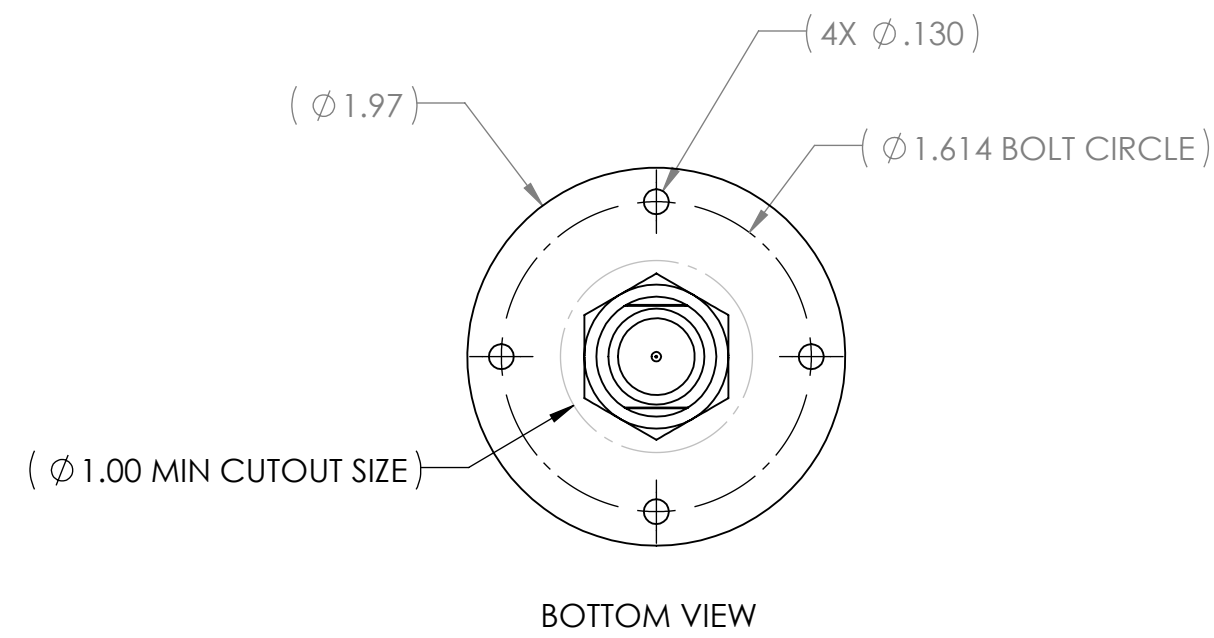


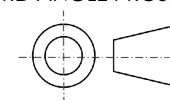
NOTES:

1. OCTANE P/N: 103215
2. TRACEABILITY: OCTANE S/N
3. ALL DIMENSIONS IN PARENTHESES () ARE REFERENCE ONLY.
6. PART MARKING: OCTANE MODEL NUMBER LABEL
5. FREQUENCY RANGE: 700-2600 MHz
6. WEIGHT: 6.3 OZ 

REVISIONS				
ZONE	REV.	DESCRIPTION	DATE	APPROVED
N/A	B	RELEASE TO PRODUCTION	8/17/2011	JRL
F8	C	DWG UPDATE; WEIGHT UPDATE	6/18/2021	CLQ



THIRD ANGLE PROJECTION



PROPRIETARY AND CONFIDENTIAL
THE INFORMATION CONTAINED IN THIS DRAWING IS THE SOLE PROPERTY OF OCTANE WIRELESS. ANY REPRODUCTION IN PART OR AS A WHOLE WITHOUT THE WRITTEN PERMISSION OF OCTANE WIRELESS IS PROHIBITED.

UNLESS OTHERWISE SPECIFIED: DIMENSIONS ARE IN INCHES	NAME	DATE
TOLERANCES: TWO PLACE DECIMAL $\pm .010$ THREE PLACE DECIMAL $\pm .005$ ANGULAR $\pm 1^\circ$	DRAWN	JDM 01/06/20
MATERIAL	CHECKED	CLQ 06/18/21
FINISH	ENG APPR.	DN 01/06/20
DO NOT SCALE DRAWING	MFG APPR.	AF 01/06/20

OCTANE WIRELESS
1340 CHARWOOD ROAD, SUITE L
HANOVER, MD 21076

TITLE:
ASSEMBLY, VEHICLE MOUNT
ANTENNA, 700-2600 MHz, N-
TYPE FEMALE CONNECTOR

SIZE	DWG. NO.	REV
C	VM-700-2600	C
SHEET SCALE 1:1		SHEET 1 OF 1