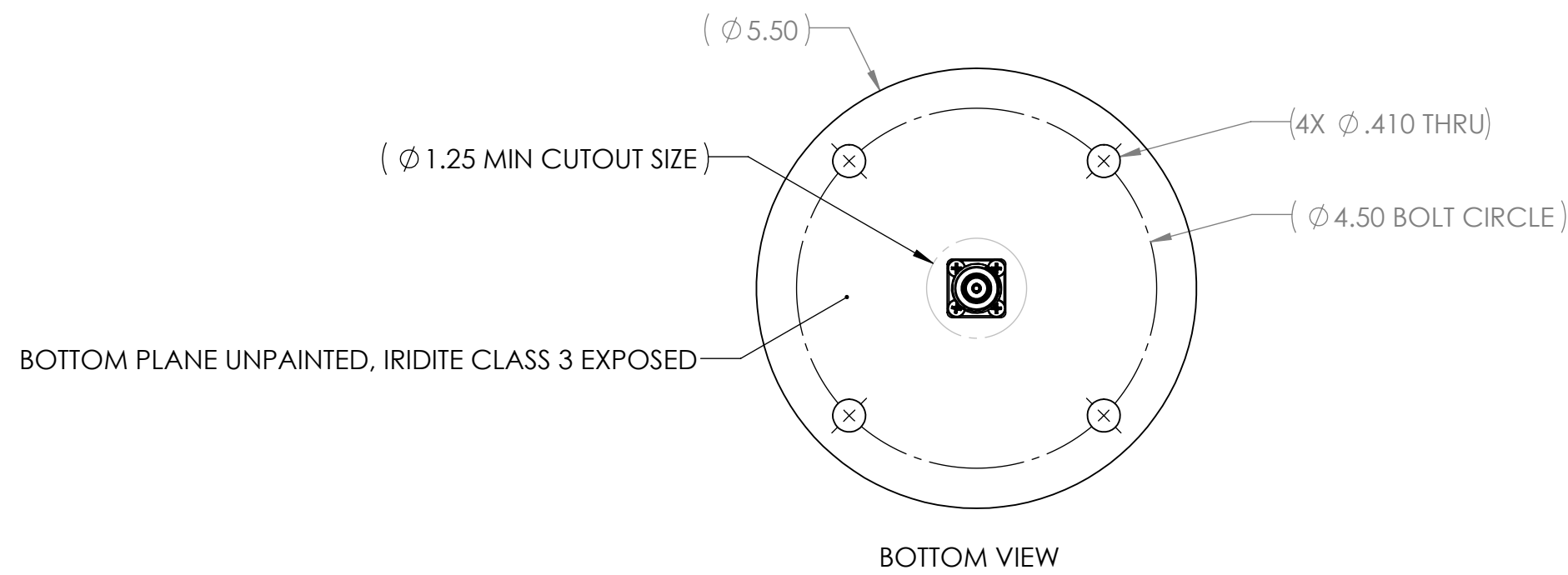
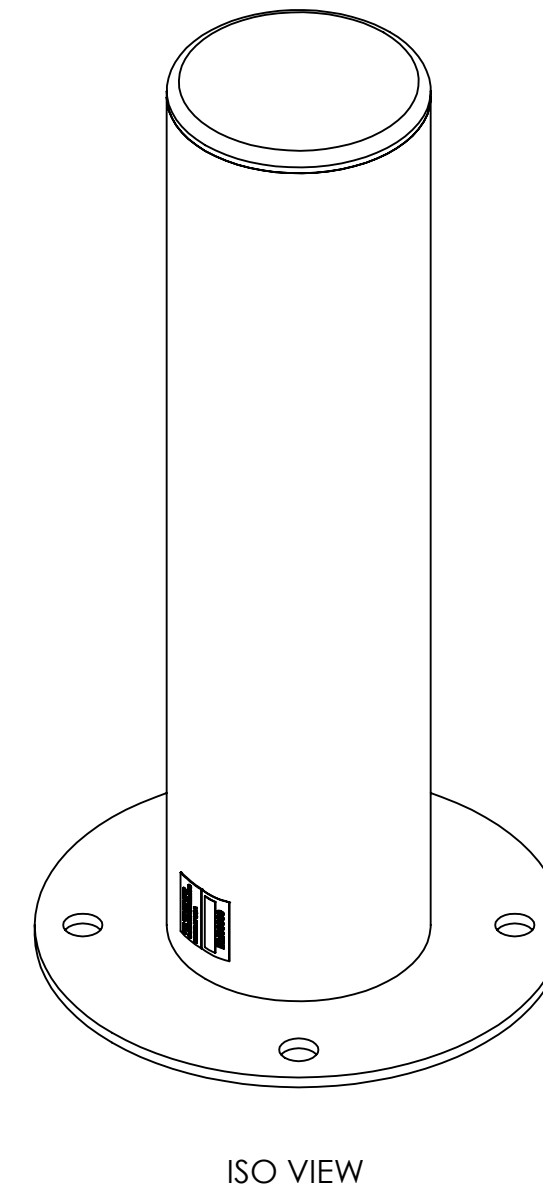
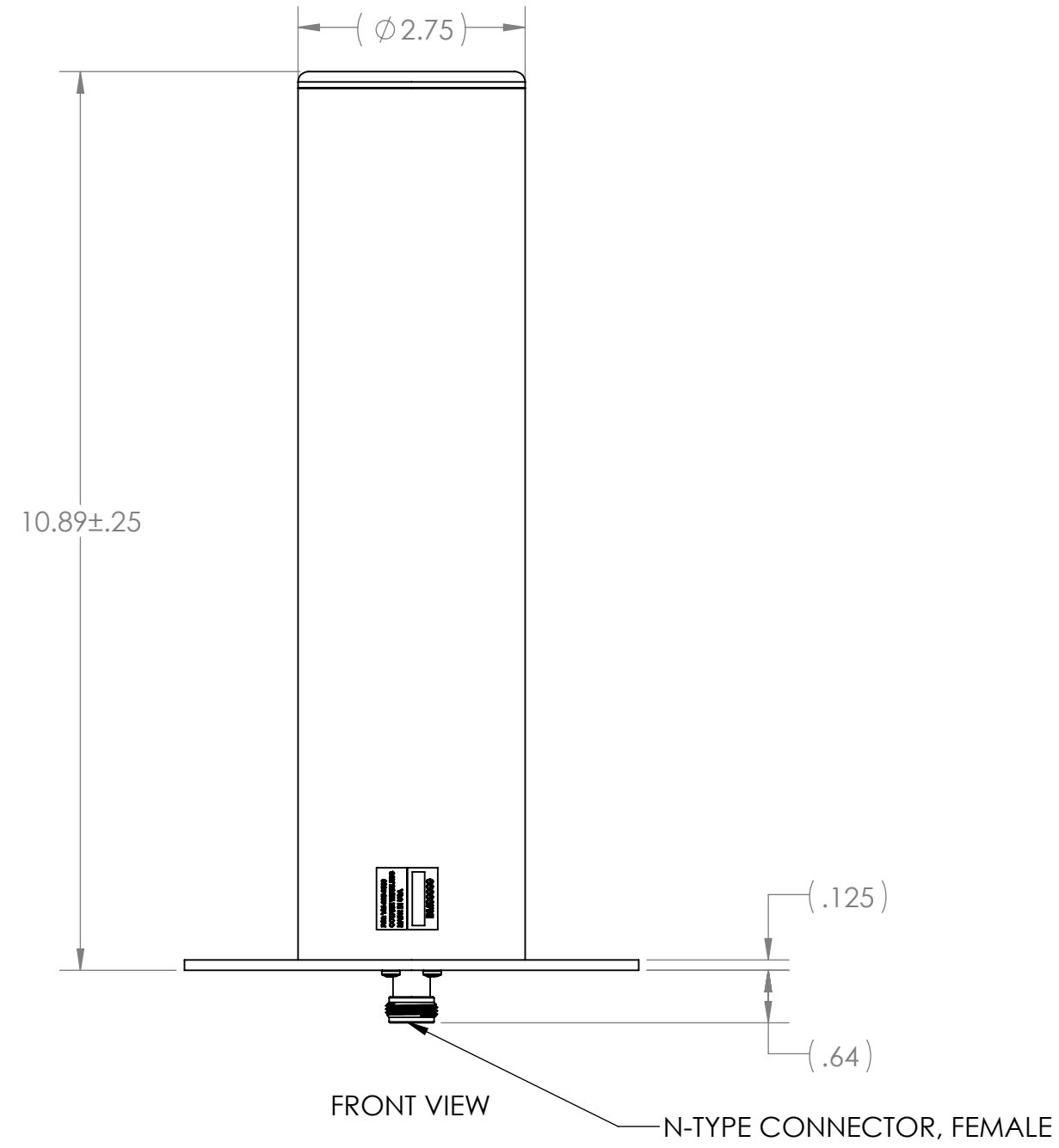


NOTES:

1. OCTANE P/N: 102585
2. TRACEABILITY: OCTANE S/N
3. ALL DIMENSIONS IN PARENTHESES () ARE REFERENCE ONLY.
6. PART MARKING: OCTANE MODEL NUMBER LABEL
5. FREQUENCY RANGE: 225-2500 MHz
6. WEIGHT: 25 OZ
7. FINISH: EXPOSED ALUMINUM, CHEMICAL CONVERSION COATING TO MIL-DTL-5541, TYPE II, CLASS 3, MASKED BOTTOM, PAINTED AS:
 - A. PRIMER: MIL-DTL-53022
 - B. TOP COAT: MIL-DTL-64159, TYPE 2
 - C. APPLICATION SPEC: MIL-DTL-53072
 - D. COLOR: GREEN, 34094

REVISIONS			
REV.	DESCRIPTION	DATE	APPROVED
A	INITIAL RELEASE	4/7/2016	LGS
B	REBUILT IN SOLIDWORKS, UPDATED MASK	6/9/2020	BZG
E	REVISION LEVEL MATCH; DWG UPDATE	6/16/2021	CLQ



THIRD ANGLE PROJECTION

PROPRIETARY AND CONFIDENTIAL
 THE INFORMATION CONTAINED IN THIS DRAWING IS THE SOLE PROPERTY OF OCTANE WIRELESS. ANY REPRODUCTION IN PART OR AS A WHOLE WITHOUT THE WRITTEN PERMISSION OF OCTANE WIRELESS IS PROHIBITED.

UNLESS OTHERWISE SPECIFIED:	NAME	DATE
DIMENSIONS ARE IN INCHES	DRAWN LGS	04/12/16
TOLERANCES:	CHECKED CLQ	06/16/21
TWO PLACE DECIMAL ±.010	ENG APPR. DN	04/12/16
THREE PLACE DECIMAL ±.005	MFG APPR. AF	04/12/16
ANGULAR ±1°	COMMENTS:	
MATERIAL		
SEE NOTES		
FINISH		
SEE NOTES		
DO NOT SCALE DRAWING		

OCTANE WIRELESS 1340 CHARWOOD ROAD, SUITE L HANOVER, MD 21076		
TITLE: ASSY, VEHICLE ANTENNA, 225-2500 MHz, FLANGE MOUNT, N-TYPE FEMALE CONNECTOR		
SIZE	DWG. NO.	REV
C	VM-225-2500	E
SHEET SCALE 1:2		SHEET 1 OF 1