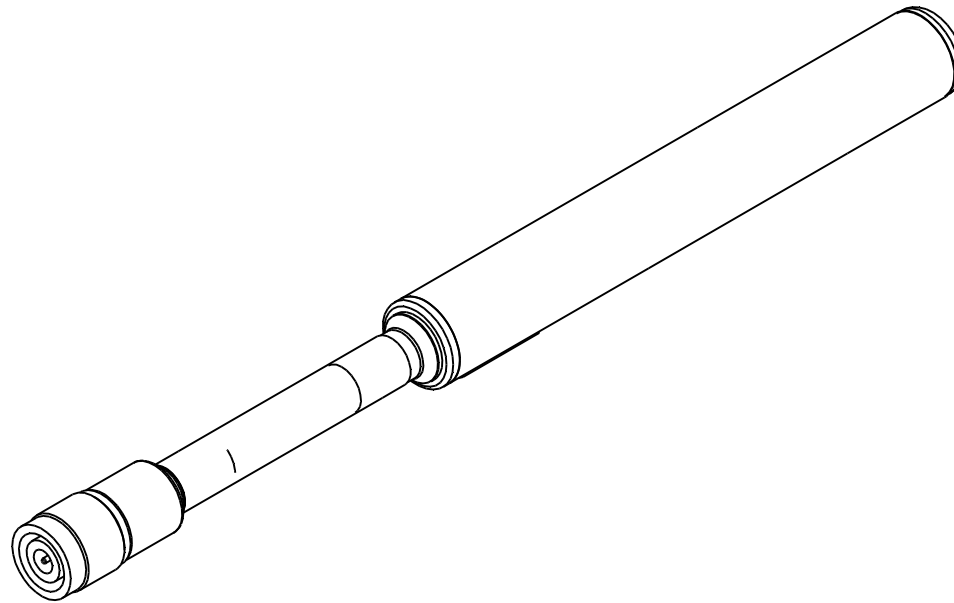
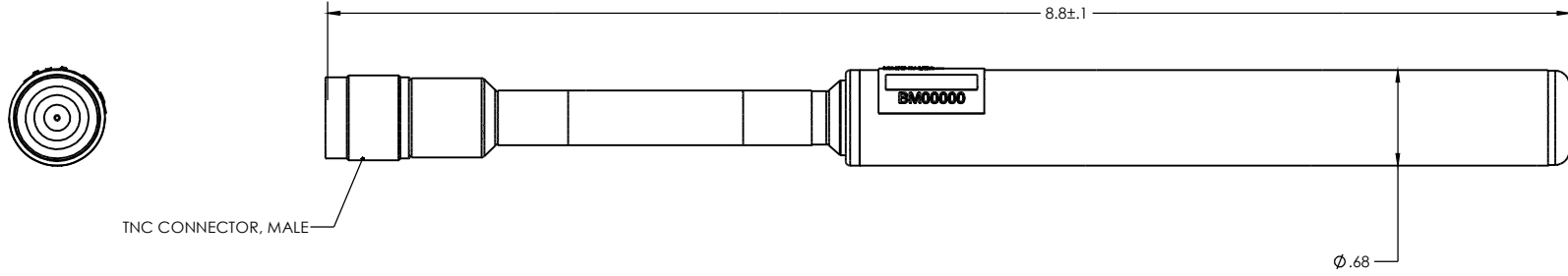


1. OCTANE WIRELESS P/N:103123
2. TRACEABILITY: TAGGED WITH OCTANE WIRELESS S/N
3. PART MARKING: OCTANE WIRELESS MODEL NUMBER
4. FREQUENCY OF OPERATION: 5000-5900 MHz
5. WEIGHT: 2.6 OZ

REVISIONS				
ZONE	REV.	DESCRIPTION	DATE	APPROVED
N/A	A	INITIAL RELEASE	7/2/2019	BZG
N/A	B	UPDATED CAP AND RADOME TO MATTE FINISH	5/3/2020	BZG



**PROPRIETARY AND CONFIDENTIAL**  
 THE INFORMATION CONTAINED IN THIS DRAWING IS THE SOLE PROPERTY OF PHARAD, LLC. ANY REPRODUCTION IN PART OR AS A WHOLE WITHOUT THE WRITTEN PERMISSION OF PHARAD, LLC IS PROHIBITED.

UNLESS OTHERWISE SPECIFIED:		NAME	DATE	OCTANE WIRELESS 1340 CHARWOOD ROAD, SUITE L HANOVER, MD 21074
DIMENSIONS ARE IN INCHES		BZG	7/2/2019	
TOLERANCES:		CHECKED		TITLE: ASSEMBLY, SPRING ANTENNA, 5000-5900 MHz, VERTICAL POLARIZATION
TWO PLACE DECIMAL ±.010		ENG APPR:		
THREE PLACE DECIMAL ±.005		MFG APPR:		
ANGULAR ±1°		COMMENTS:		SIZE DWG. NO.
MATERIAL		SEE NOTES		<b>C</b> SV-5000-5900
FINISH		SEE NOTES		REV B
DO NOT SCALE DRAWING				SHEET 1 OF 1