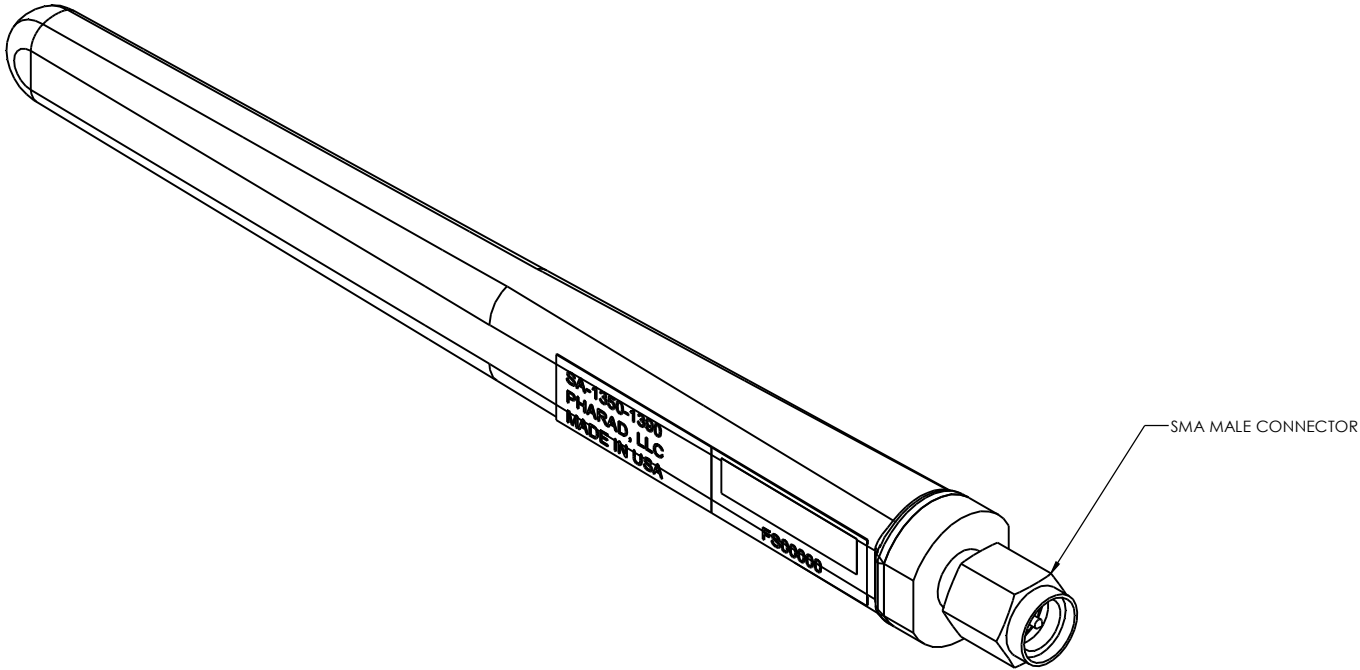
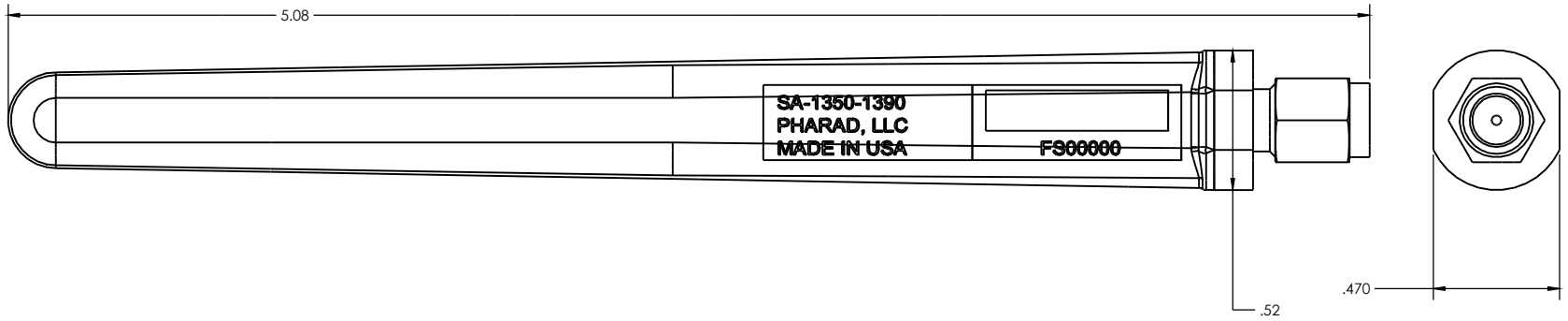


1. OCTANE WIRELESS P/N:103281
2. TRACEABILITY: TAGGED WITH OCTANE WIRELESS S/N
3. PART MARKING: OCTANE WIRELESS PART NUMBER LABEL 102446-036
4. FREQUENCY OF OPERATION: 1350-1390 MHz
5. WEIGHT: 0.45 OZ

REVISIONS				
ZONE	REV.	DESCRIPTION	DATE	APPROVED
N/A	A	INITIAL RELEASE	4/6/2020	BZG



**PROPRIETARY AND CONFIDENTIAL**  
 THE INFORMATION CONTAINED IN THIS DRAWING IS THE SOLE PROPERTY OF PHARAD, LLC. ANY REPRODUCTION IN PART OR AS A WHOLE WITHOUT THE WRITTEN PERMISSION OF PHARAD, LLC IS PROHIBITED.

UNLESS OTHERWISE SPECIFIED: DIMENSIONS ARE IN INCHES TOLERANCES: TWO PLACE DECIMAL ±.010 THREE PLACE DECIMAL ±.005 ANGULAR ±1°	NAME BZG	DATE 4/6/2020	OCTANE WIRELESS 1340 CHARWOOD ROAD, SUITE L HANOVER, MD 21076
SEE NOTES	CHECKED	ENG APPR.	TITLE: ASSEMBLY, STUB ANTENNA, EXTENDED LENGTH, 1350- 1390 MHz
SEE NOTES	MFG APPR.	COMMENTS:	SIZE DWG. NO. REV C SA-1350-1390 A
DO NOT SCALE DRAWING			SHEET 1 OF 1