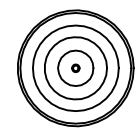


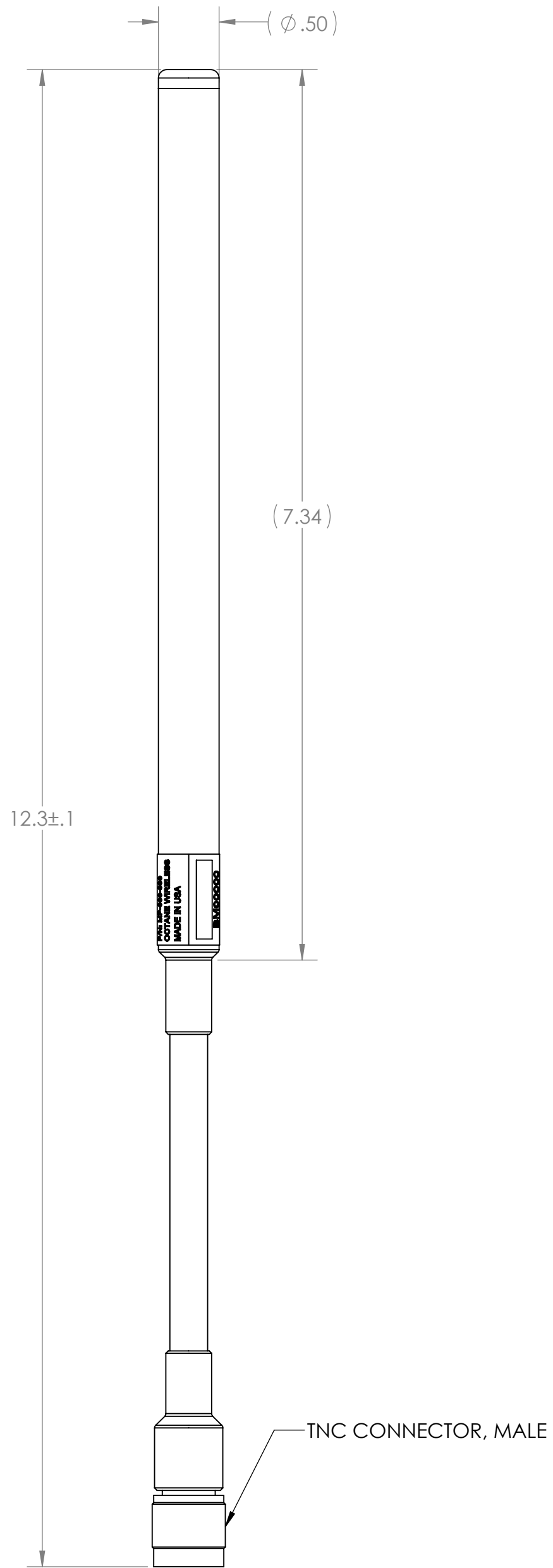
NOTES:

1. OCTANE P/N: 101474
2. TRACEABILITY: OCTANE S/N
3. ALL DIMENSIONS IN PARENTHESES () ARE REFERENCE ONLY.
4. PART MARKING: OCTANE MODEL NUMBER LABEL
5. FREQUENCY RANGE: 900-930 MHz
6. WEIGHT: 2.8 OZ

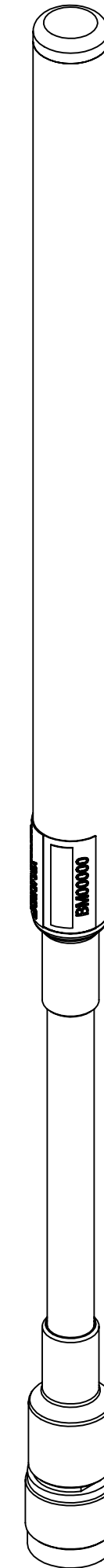
REVISIONS				
ZONE	REV.	DESCRIPTION	DATE	APPROVED
N/A	A-01	ENGINEERING PROTOTYPE	11/7/2011	JRL
N/A	B	UPDATE DIMENSIONS AND WEIGHT	4/24/2013	DJG
N/A	D	DWG UPDATE; REVISION LEVEL MATCH	10/25/2021	CLQ



BOTTOM VIEW



FRONT VIEW



ISO VIEW

THIRD ANGLE PROJECTION

PROPRIETARY AND CONFIDENTIAL
 THE INFORMATION CONTAINED IN THIS DRAWING IS THE SOLE PROPERTY OF OCTANE WIRELESS. ANY REPRODUCTION IN PART OR AS A WHOLE WITHOUT THE WRITTEN PERMISSION OF OCTANE WIRELESS IS PROHIBITED.

UNLESS OTHERWISE SPECIFIED:	NAME	DATE
DIMENSIONS ARE IN INCHES	DRAWN JRL	09/07/11
TOLERANCES:	CHECKED CLQ	10/22/21
TWO PLACE DECIMAL ±.010	ENG APPR. DN	09/07/11
THREE PLACE DECIMAL ±.005	MFG APPR. AF	09/07/11
ANGULAR ±1°	COMMENTS:	
MATERIAL	SEE NOTES	
FINISH	SEE NOTES	
DO NOT SCALE DRAWING		

OCTANE WIRELESS
 1340 CHARWOOD ROAD, SUITE L
 HANOVER, MD 21076

TITLE:
**ASSEMBLY, SMALL DIAMETER
 GOOSENECK, 900-930 MHz, TNC
 MALE CONNECTOR**

SIZE	DWG. NO.	REV
C	MP-900-930	D

SHEET SCALE 1:1 SHEET 1 OF 1