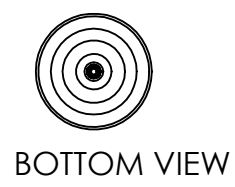
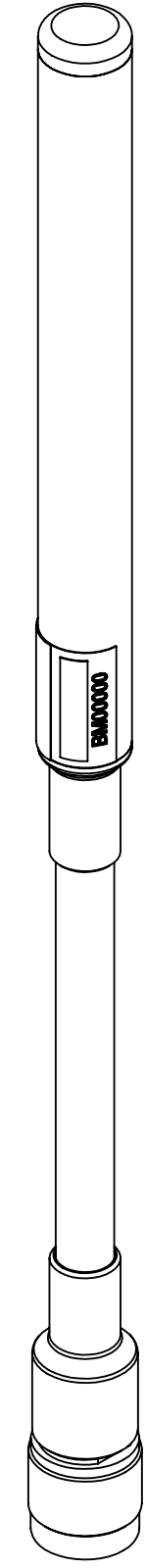
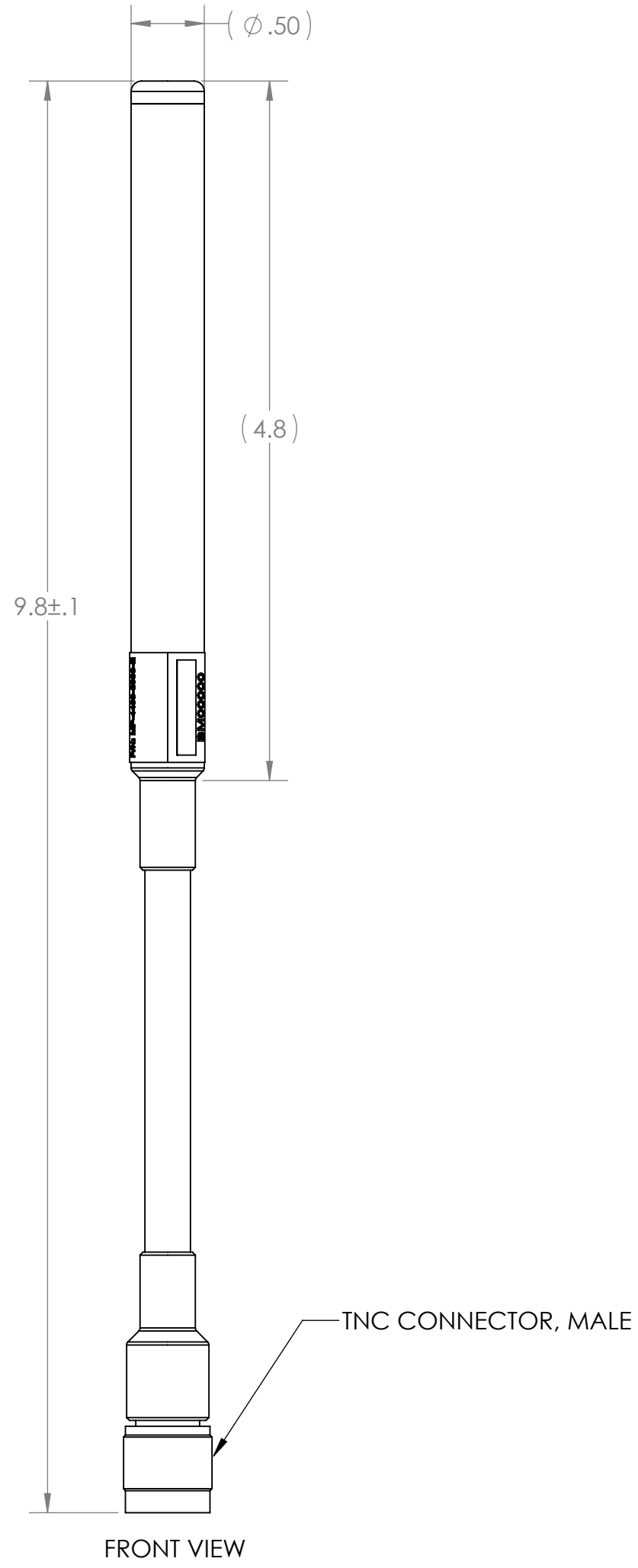


NOTES:

1. OCTANE P/N: 102824 -001
2. TRACEABILITY: OCTANE S/N
3. ALL DIMENSIONS IN PARENTHESES ( ) ARE REFERENCE ONLY.
4. PART MARKING: OCTANE MODEL NUMBER LABEL
5. FREQUENCY RANGE: 4400-5900 MHz
6. WEIGHT: 2.5 OZ

REVISIONS				
ZONE	REV.	DESCRIPTION	DATE	APPROVED
N/A	A	ENGINEERING RELEASE	9/24/2020	BZG
N/A	B	DWG UPDATE	10/22/2021	BZG



**THIRD ANGLE PROJECTION**

**PROPRIETARY AND CONFIDENTIAL**  
THE INFORMATION CONTAINED IN THIS DRAWING IS THE SOLE PROPERTY OF OCTANE WIRELESS. ANY REPRODUCTION IN PART OR AS A WHOLE WITHOUT THE WRITTEN PERMISSION OF OCTANE WIRELESS IS PROHIBITED.

UNLESS OTHERWISE SPECIFIED:	NAME	DATE
DIMENSIONS ARE IN INCHES	DRAWN BZG	9/24/2020
TOLERANCES:	CHECKED CLQ	10/22/2021
TWO PLACE DECIMAL ±.010	ENG APPR. DN	10/22/2021
THREE PLACE DECIMAL ±.005	MFG APPR. AF	10/22/2021
ANGULAR ±1°	COMMENTS:	
MATERIAL		
SEE NOTES		
FINISH		
SEE NOTES		
DO NOT SCALE DRAWING		

OCTANE WIRELESS  
1340 CHARWOOD ROAD, SUITE L  
HANOVER, MD 21076

**TITLE:**  
ASSEMBLY, SMALL DIAMETER  
GOOSENECK, 4400-5900 MHz,  
ENHANCED GAIN, TNC MALE  
CONNECTOR

SIZE	DWG. NO.	REV
<b>C</b>	<b>MP-4400-5900-EG</b>	<b>B</b>

SHEET SCALE 1:1      SHEET 1 OF 1