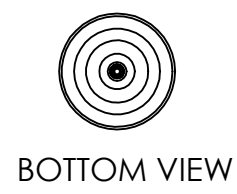
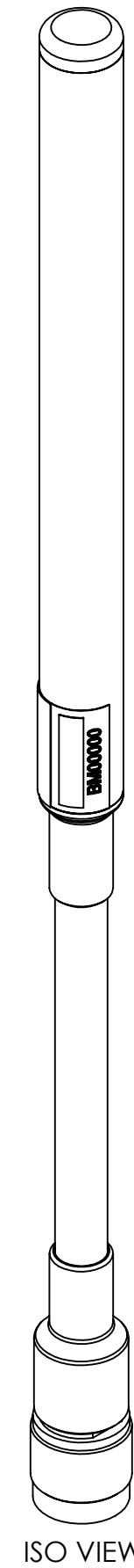
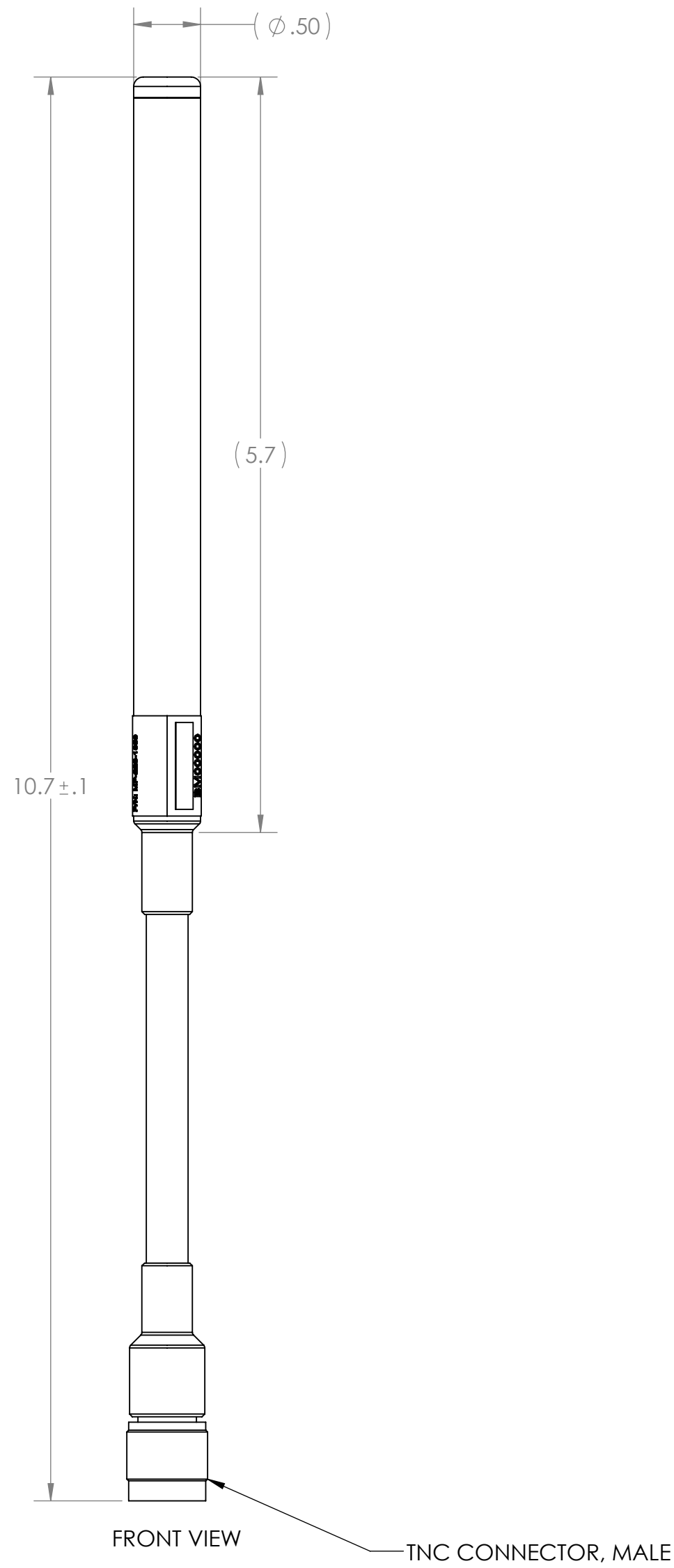


NOTES:

1. OCTANE P/N: 102419
2. TRACEABILITY: OCTANE S/N
3. ALL DIMENSIONS IN PARENTHESES ( ) ARE REFERENCE ONLY.
4. PART MARKING: OCTANE MODEL NUMBER LABEL
5. FREQUENCY RANGE: 225-1850 MHz
6. WEIGHT: 2.5 OZ

REVISIONS			
REV.	DESCRIPTION	DATE	APPROVED
A-01	ENG RELEASE	8/6/2015	MSF
B	DWG UPDATE	10/8/2021	BZG



THIRD ANGLE PROJECTION

**PROPRIETARY AND CONFIDENTIAL**  
THE INFORMATION CONTAINED IN THIS DRAWING IS THE SOLE PROPERTY OF OCTANE WIRELESS. ANY REPRODUCTION IN PART OR AS A WHOLE WITHOUT THE WRITTEN PERMISSION OF OCTANE WIRELESS IS PROHIBITED.

UNLESS OTHERWISE SPECIFIED:	NAME	DATE
DIMENSIONS ARE IN INCHES	DRAWN MSF	05/14/2019
TOLERANCES:	CHECKED BZG	10/8/2021
TWO PLACE DECIMAL ±.010	ENG APPR. DN	8/6/2015
THREE PLACE DECIMAL ±.005	MFG APPR. AF	8/6/2015
ANGULAR ±1°	COMMENTS:	
MATERIAL	SEE NOTES	
FINISH	SEE NOTES	
DO NOT SCALE DRAWING		

OCTANE WIRELESS 1340 CHARWOOD ROAD, SUITE L HANOVER, MD 21076		
TITLE: ASSEMBLY, SMALL DIAMETER GOOSENECK, 225-1850 MHz, TNC MALE CONNECTOR		
SIZE	DWG. NO.	REV
<b>C</b>	MP-225-1850	B
SHEET SCALE 1:1		SHEET 1 OF 1