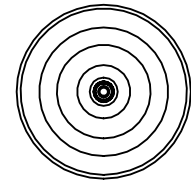


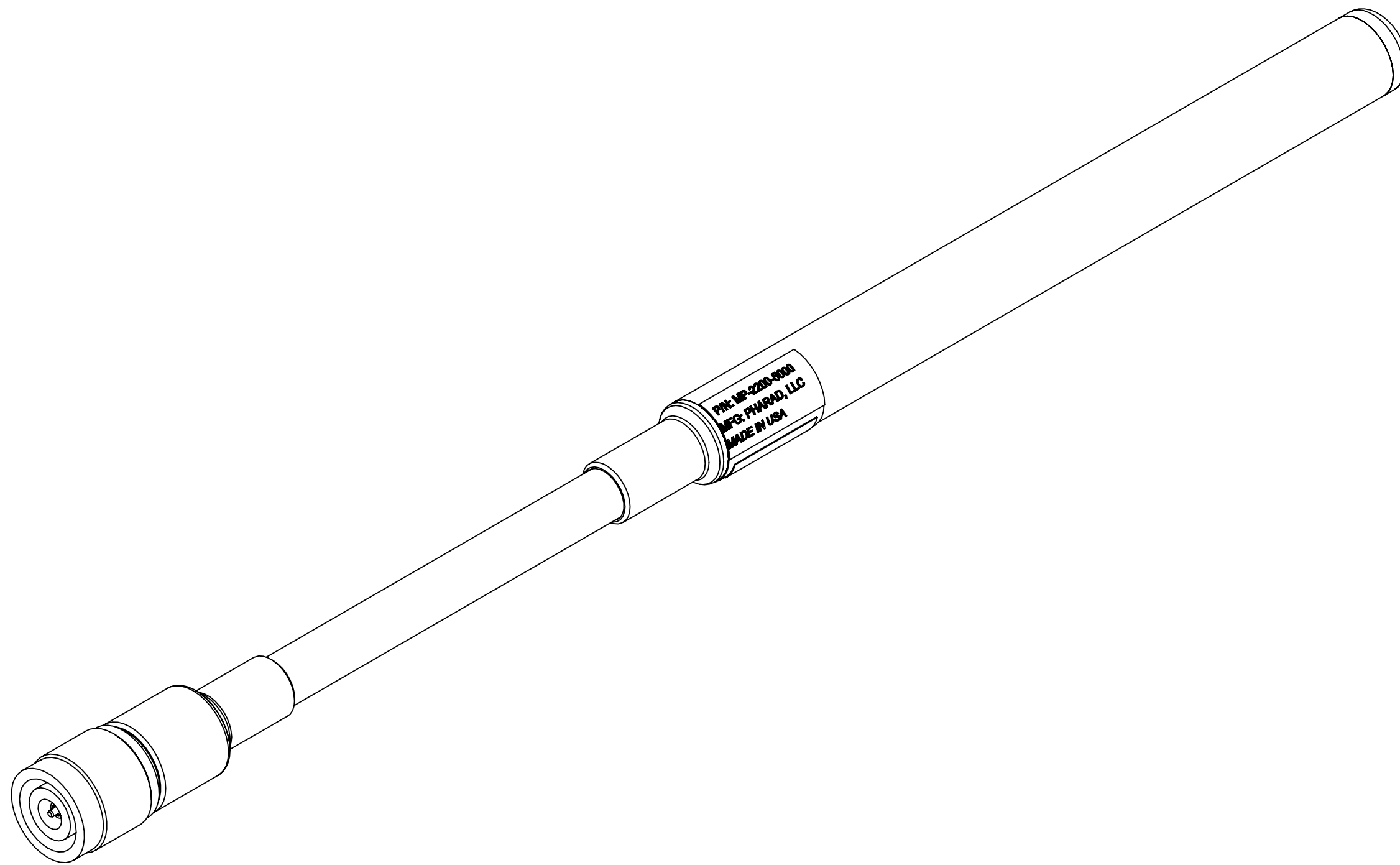
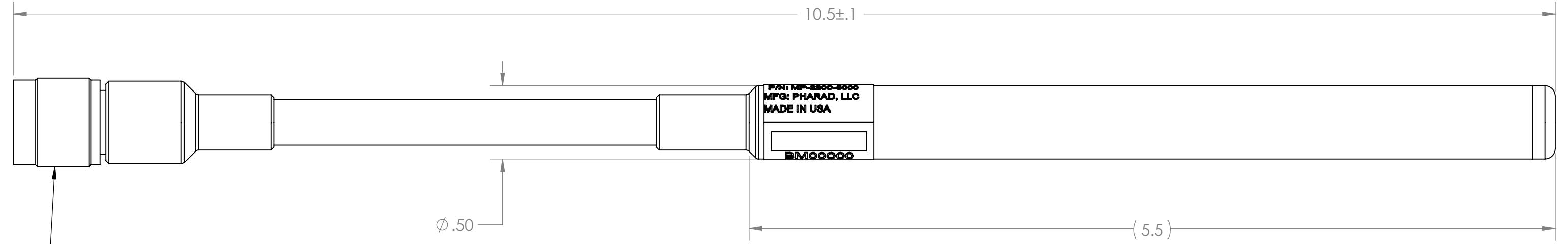
NOTES:

1. PHARAD P/N: 103217
2. TRACEABILITY: PHARAD S/N
3. PART MARKING: PHARAD MODEL NUMBER
4. FREQUENCY OF OPERATION 2200-2500/4400-5000 MHZ
5. WEIGHT: 3 OZ

REVISIONS				
ZONE	REV.	DESCRIPTION	DATE	APPROVED
N/A	A	ENGINEERING RELEASE	1/13/2020	BZG



TNC CONNECTOR, MALE



UNLESS OTHERWISE SPECIFIED:		NAME	DATE	PHARAD, LLC 1340 CHARWOOD ROAD, SUITE L HANOVER, MD 21076
DIMENSIONS ARE IN INCHES		DRAWN	BZG 1/13/2020	
TOLERANCES:		CHECKED		
TWO PLACE DECIMAL ±.010		ENG APPR.		
THREE PLACE DECIMAL ±.005		MFG APPR.		TITLE:
ANGULAR ±1°		COMMENTS:		ASSEMBLY, SMALL DIAMETER GOOSENECK, 2200-2500/4400-5000 MHZ
PROPRIETARY AND CONFIDENTIAL THE INFORMATION CONTAINED IN THIS DRAWING IS THE SOLE PROPERTY OF PHARAD, LLC. ANY REPRODUCTION IN PART OR AS A WHOLE WITHOUT THE WRITTEN PERMISSION OF PHARAD, LLC IS PROHIBITED.				SIZE DWG. NO. REV
DO NOT SCALE DRAWING				C MP-2200-5000 A
			SCALE: 1:1	SHEET 1 OF 1