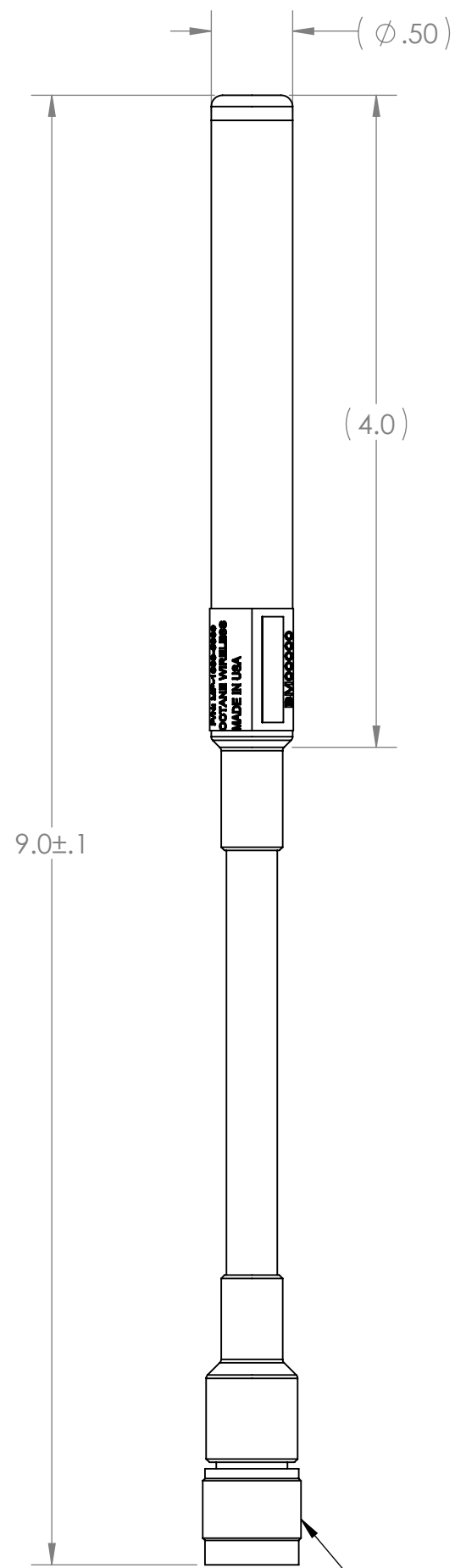


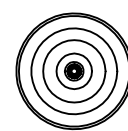
NOTES:

1. OCTANE P/N: 100775 -001
2. TRACEABILITY: OCTANE S/N
3. ALL DIMENSIONS IN PARENTHESES () ARE REFERENCE ONLY.
4. PART MARKING: OCTANE MODEL NUMBER LABEL
5. FREQUENCY RANGE: 1600-5900 MHz
6. WEIGHT: 2.5 OZ

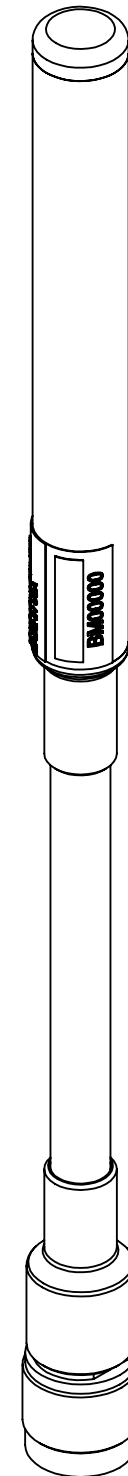


FRONT VIEW

TNC CONNECTOR, MALE



BOTTOM VIEW



ISO VIEW

REVISIONS				
ZONE	REV.	DESCRIPTION	DATE	APPROVED
N/A	A	ENGINEERING PROTOTYPE	11/12/2010	JDM
N/A	A-02	CHANGED SOME MATERIALS TO "AR"	12/10/2012	TJP
N/A	B	UPDATE DIMENSIONS AND WEIGHT	4/24/2013	DJG
N/A	C	DWG UPDATE	9/16/2021	BZG

THIRD ANGLE PROJECTION

PROPRIETARY AND CONFIDENTIAL
 THE INFORMATION CONTAINED IN THIS DRAWING IS THE SOLE PROPERTY OF OCTANE WIRELESS. ANY REPRODUCTION IN PART OR AS A WHOLE WITHOUT THE WRITTEN PERMISSION OF OCTANE WIRELESS IS PROHIBITED.

UNLESS OTHERWISE SPECIFIED:	NAME	DATE	OCTANE WIRELESS 1340 CHARWOOD ROAD, SUITE L HANOVER, MD 21076
DIMENSIONS ARE IN INCHES	DRAWN	JDM 11/18/2010	
TOLERANCES: TWO PLACE DECIMAL ±.010 THREE PLACE DECIMAL ±.005 ANGULAR ±1°	CHECKED	AF 11/18/2010	
MATERIAL	ENG APPR.	RW 11/18/2010	
FINISH	MFG APPR.	AF 11/18/2010	
SEE NOTES	COMMENTS:		TITLE: ASSEMBLY, SMALL DIAMETER GOOSENECK, 1600-5900 MHz, TNC MALE CONNECTOR
DO NOT SCALE DRAWING	SIZE	DWG. NO.	
	C	MP-1600-5900	

REV	C
SHEET SCALE 1:1	
SHEET 1 OF 1	