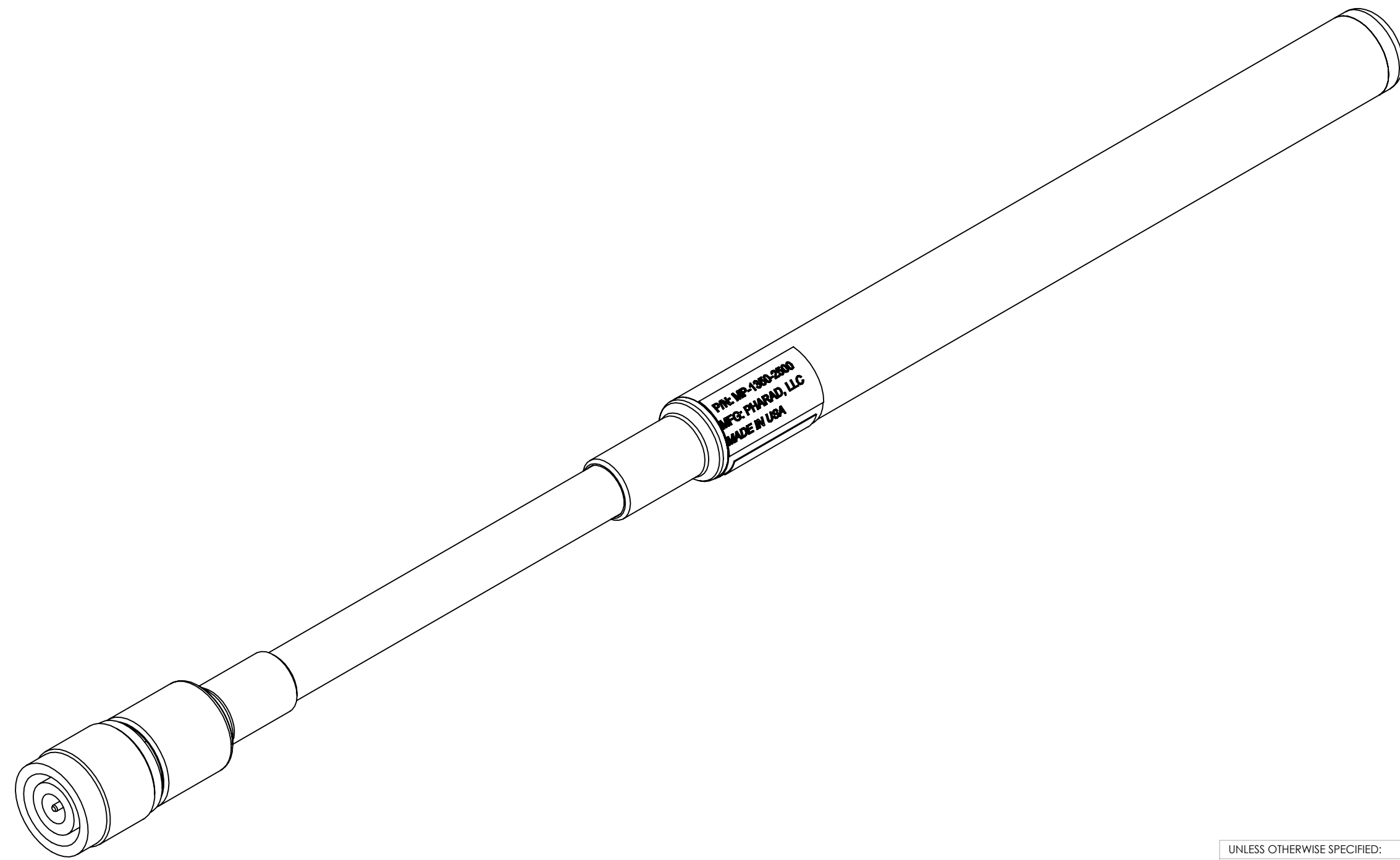
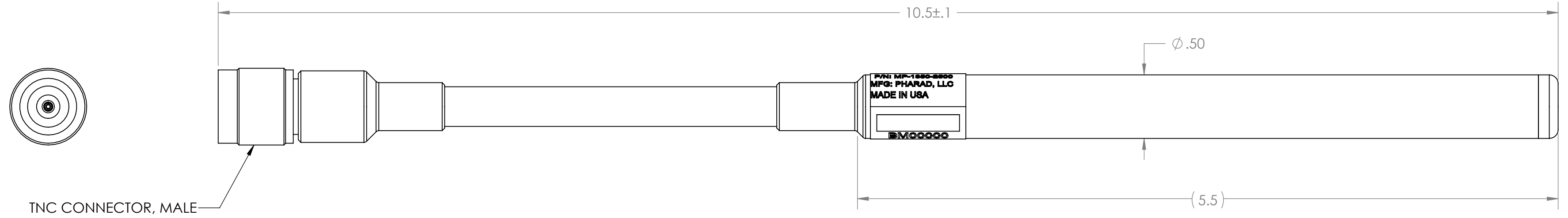


NOTES:

1. OCTANE WIRELESS P/N: 103216
2. TRACEABILITY: OCTANE WIRELESS S/N
3. PART MARKING: OCTANE WIRELESS MODEL NUMBER
4. FREQUENCY OF OPERATION 1350-1390/2200-2500 MHZ
5. WEIGHT: 3 OZ

REVISIONS				
ZONE	REV.	DESCRIPTION	DATE	APPROVED
N/A	A	ENGINEERING RELEASE	1/10/2020	BZG



UNLESS OTHERWISE SPECIFIED:		NAME	DATE	OCTANE WIRELESS 1340 CHARWOOD ROAD, SUITE L HANOVER, MD 21076 TITLE: ASSEMBLY, SMALL DIAMETER GOOSENECK, 1350-1390/2200-2500 MHz
DIMENSIONS ARE IN INCHES		DRAWN	BZG 1/10/2020	
TOLERANCES:		CHECKED		
TWO PLACE DECIMAL ±.010		ENG APPR.		
THREE PLACE DECIMAL ±.005		MFG APPR.		SCALE: 1:1
ANGULAR ±1°		COMMENTS:		
PROPRIETARY AND CONFIDENTIAL THE INFORMATION CONTAINED IN THIS DRAWING IS THE SOLE PROPERTY OF PHARAD, LLC. ANY REPRODUCTION IN PART OR AS A WHOLE WITHOUT THE WRITTEN PERMISSION OF PHARAD, LLC IS PROHIBITED.				
DO NOT SCALE DRAWING		SIZE	DWG. NO.	REV
		C	MP-1350-2500	A
		SCALE: 1:1		SHEET 1 OF 1