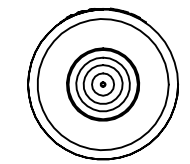


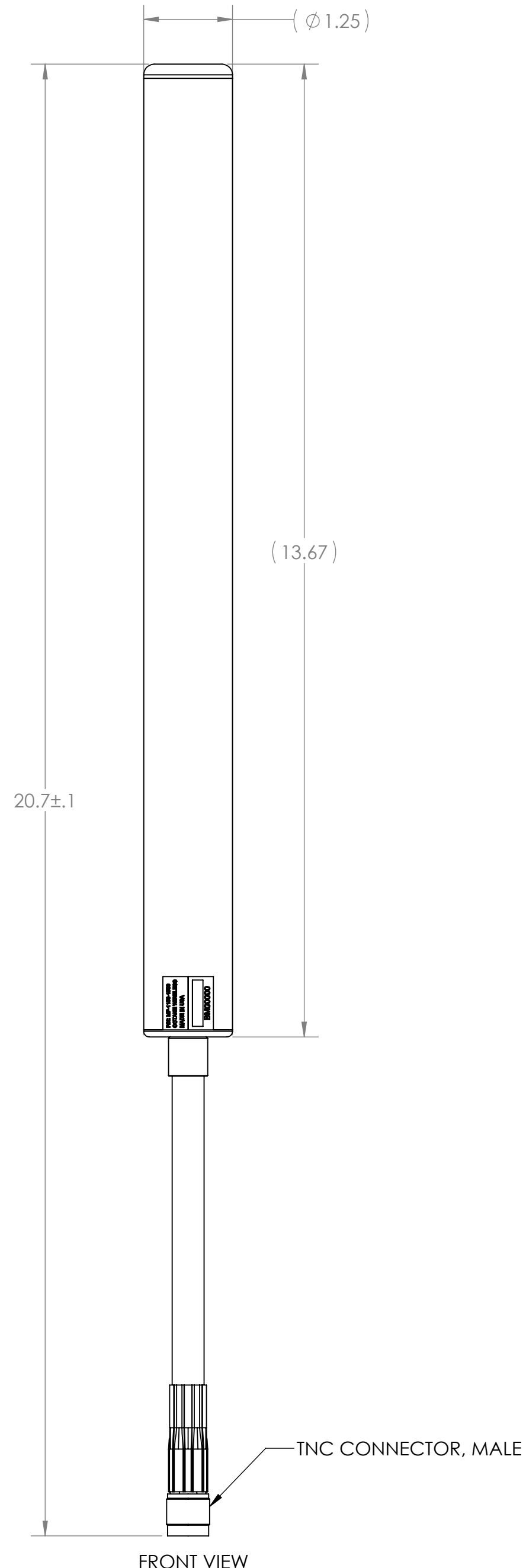
NOTES:

1. OCTANE P/N: 103154 -001
2. TRACEABILITY: OCTANE S/N
3. ALL DIMENSIONS IN PARENTHESES () ARE REFERENCE ONLY.
6. PART MARKING: OCTANE MODEL NUMBER LABEL
5. FREQUENCY RANGE: 1150-1550 MHz
6. WEIGHT: 8.3 OZ

REVISIONS				
ZONE	REV.	DESCRIPTION	DATE	APPROVED
N/A	A	ENG RELEASE	7/17/2019	BZG
N/A	B	DWG UPDATE	7/15/2021	BZG
F8	C	CONFIGURATION NUMBER ADDED	10/28/2021	CLQ

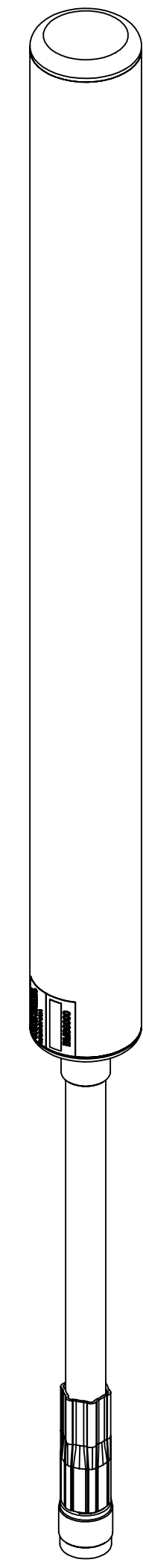


BOTTOM VIEW



FRONT VIEW

TNC CONNECTOR, MALE



ISO VIEW

THIRD ANGLE PROJECTION

PROPRIETARY AND CONFIDENTIAL
 THE INFORMATION CONTAINED IN THIS DRAWING IS THE SOLE PROPERTY OF OCTANE WIRELESS. ANY REPRODUCTION IN PART OR AS A WHOLE WITHOUT THE WRITTEN PERMISSION OF OCTANE WIRELESS IS PROHIBITED.

UNLESS OTHERWISE SPECIFIED: DIMENSIONS ARE IN INCHES	DRAWN	BZG	07/15/19
TOLERANCES: TWO PLACE DECIMAL ±.010 THREE PLACE DECIMAL ±.005 ANGULAR ±1°	CHECKED	CLQ	07/26/21
MATERIAL	ENG APPR.	DN	07/26/21
SEE NOTES	MFG APPR.	AF	07/26/21
FINISH	COMMENTS:		
SEE NOTES			
DO NOT SCALE DRAWING			

OCTANE WIRELESS 1340 CHARWOOD ROAD, SUITE L HANOVER, MD 21076		
TITLE: ASSEMBLY, PCB GOOSENECK ANTENNA, 1150-1550 MHz, TNC MALE CONNECTOR		
SIZE	DWG. NO.	REV
C	MP-1150-1550	C
SHEET SCALE 5:8		SHEET 1 OF 1