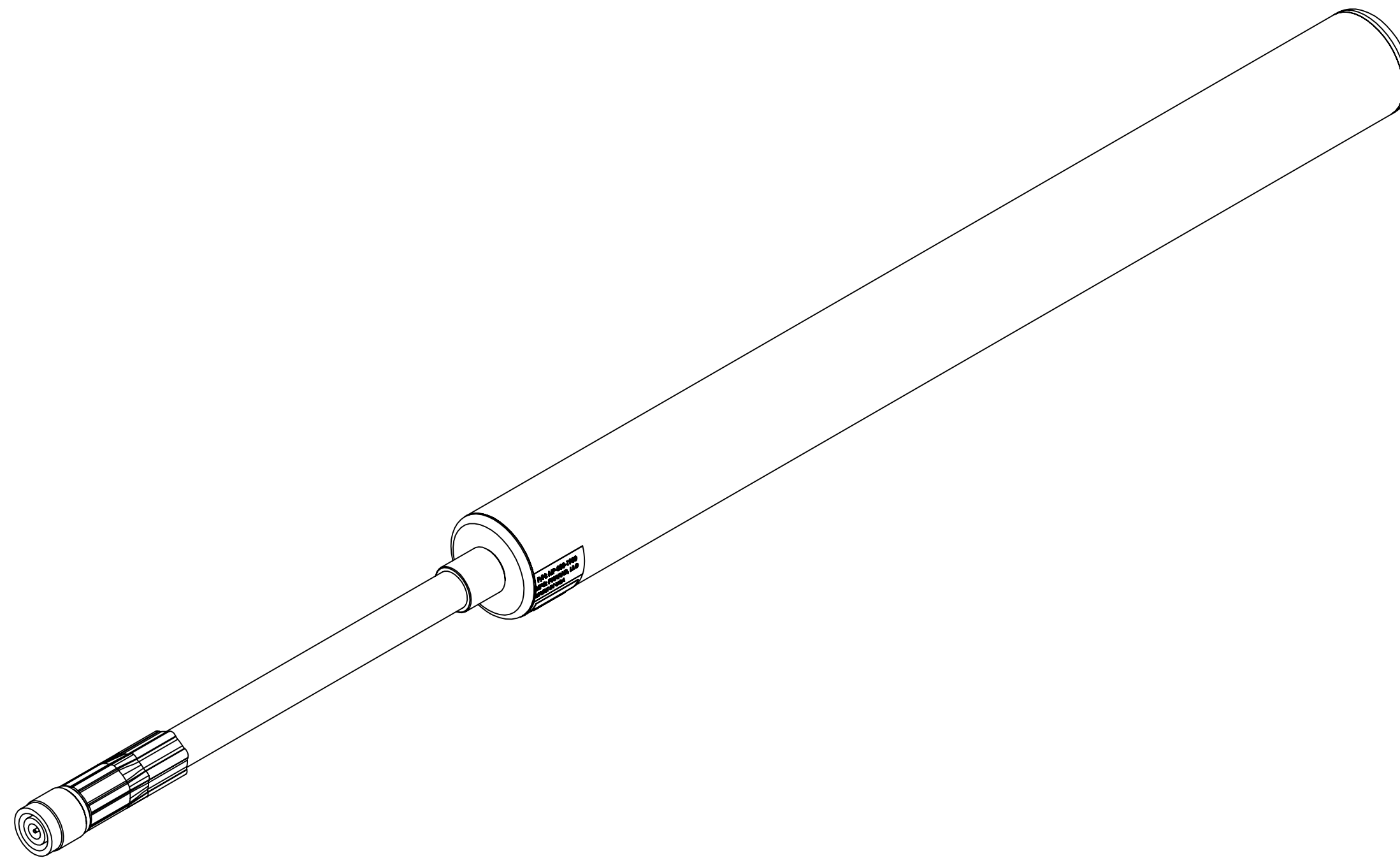
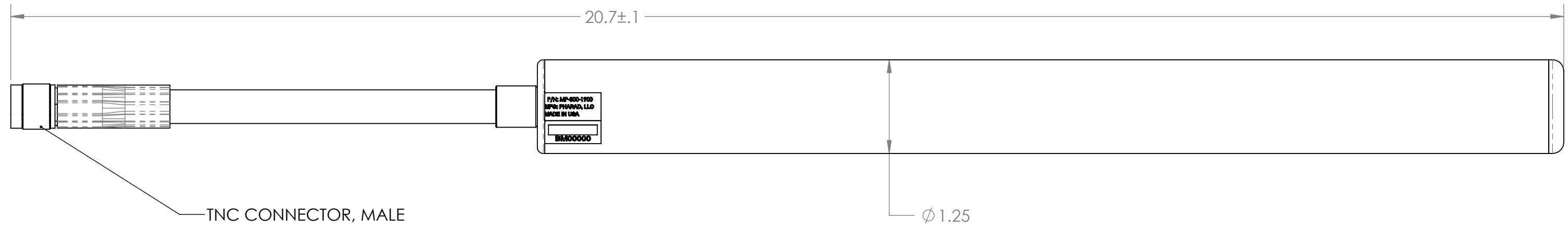
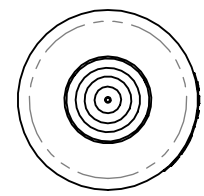


NOTES:

1. PHARAD P/N: 103154
2. TRACEABILITY: TAGGED WITH PHARAD S/N
3. PART MARKING: PHARAD PART NUMBER LABEL
4. FREQUENCY OF OPERATION 1150-1550 MHZ
5. WEIGHT: 9 OZ

REVISIONS				
ZONE	REV.	DESCRIPTION	DATE	APPROVED
N/A	A	ENG RELEASE	7/17/2019	BZG



PROPRIETARY AND CONFIDENTIAL
 THE INFORMATION CONTAINED IN THIS DRAWING IS THE SOLE PROPERTY OF PHARAD, LLC. ANY REPRODUCTION IN PART OR AS A WHOLE WITHOUT THE WRITTEN PERMISSION OF PHARAD, LLC IS PROHIBITED.

UNLESS OTHERWISE SPECIFIED: DIMENSIONS ARE IN INCHES TOLERANCES: TWO PLACE DECIMAL ±.010 THREE PLACE DECIMAL ±.005 ANGULAR ±1°	DRAWN BZG	DATE 7/17/2019	NAME BZG	PHARAD, LLC 1340 CHARWOOD ROAD, SUITE L HANOVER, MD 21076
MATERIAL SEE NOTES	CHECKED	ENG APPR.	MFG APPR.	TITLE: ASSEMBLY, PCB GOOSENECK ANTENNA, 1150-1550 MHZ
FINISH SEE NOTES	COMMENTS:		SIZE C	DWG. NO. MP-1150-1550
DO NOT SCALE DRAWING			SCALE: 1:1	REV A
			SHEET 1 OF 1	