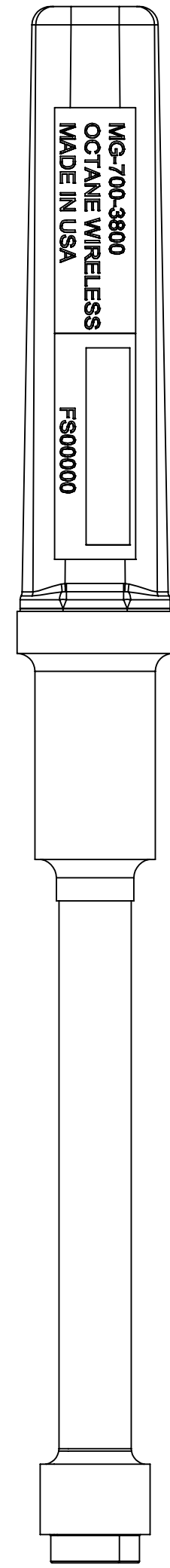


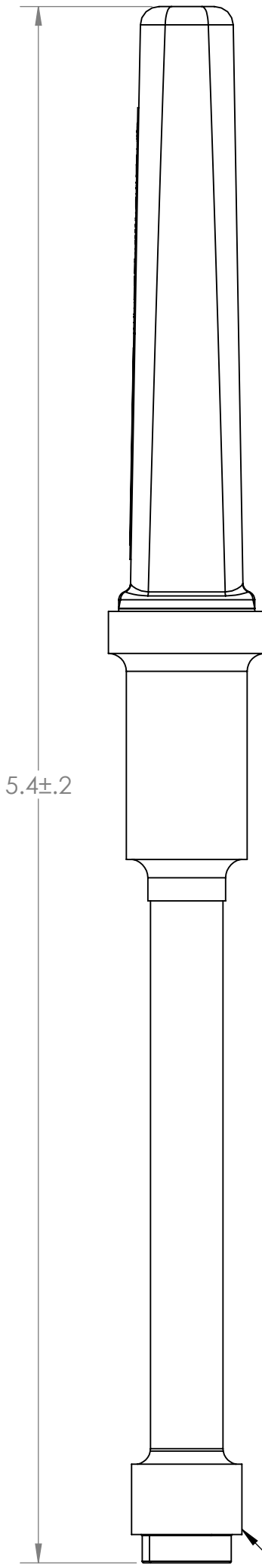
NOTES:

1. OCTANE P/N: 103147
2. TRACEABILITY: OCTANE S/N
3. ALL DIMENSIONS IN PARENTHESES ( ) ARE REFERENCE ONLY.
6. PART MARKING: OCTANE MODEL NUMBER LABEL
5. FREQUENCY RANGE: 700-3800 MHz
6. WEIGHT: 0.5 OZ

REVISIONS				
ZONE	REV.	DESCRIPTION	DATE	APPROVED
N/A	A	DWG RELEASE	7/15/2019	BZG
N/A	B	DWG UPDATE	7/23/2021	CLQ

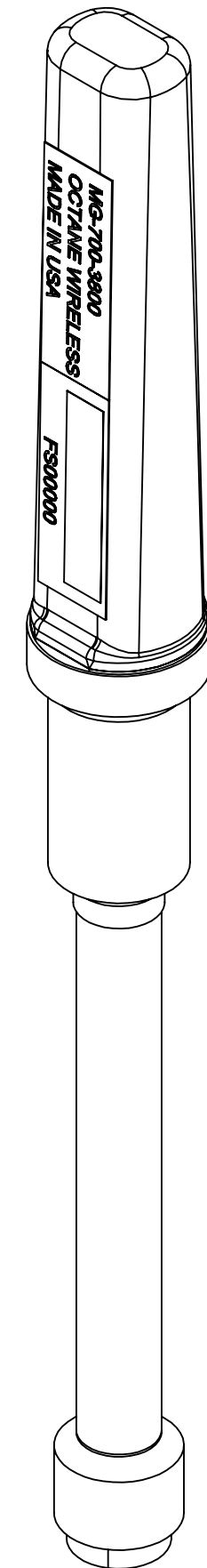


FRONT VIEW

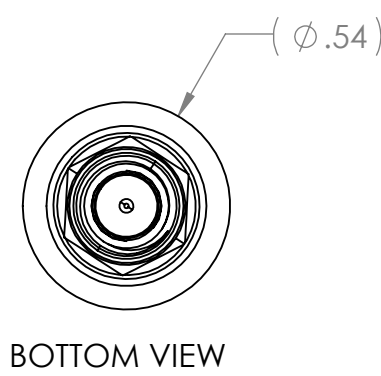


RIGHT VIEW

SMA CONNECTOR, MALE

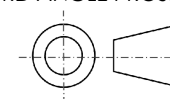


ISO VIEW



BOTTOM VIEW

( $\phi$  .54)

**THIRD ANGLE PROJECTION**  
  
**PROPRIETARY AND CONFIDENTIAL**  
 THE INFORMATION CONTAINED IN THIS DRAWING IS THE SOLE PROPERTY OF OCTANE WIRELESS. ANY REPRODUCTION IN PART OR AS A WHOLE WITHOUT THE WRITTEN PERMISSION OF OCTANE WIRELESS IS PROHIBITED.

UNLESS OTHERWISE SPECIFIED: DIMENSIONS ARE IN INCHES	NAME	DATE	OCTANE WIRELESS 1340 CHARWOOD ROAD, SUITE L HANOVER, MD 21076
TOLERANCES: TWO PLACE DECIMAL ±.010 THREE PLACE DECIMAL ±.005 ANGULAR ±1°	DRAWN	BZG 07/15/19	
MATERIAL	CHECKED	CLQ 07/23/21	
FINISH	ENG APPR.	DN 07/15/19	
DO NOT SCALE DRAWING	MFG APPR.	AF 07/15/19	
COMMENTS:			TITLE: <b>ASSEMBLY, MINI-GOOSENECK ANTENNA, 700-3800 MHz, SMA MALE CONNECTOR</b>

SIZE	DWG. NO.	REV
<b>C</b>	<b>MG-700-3800</b>	<b>B</b>
SHEET SCALE 2:1		SHEET 1 OF 1