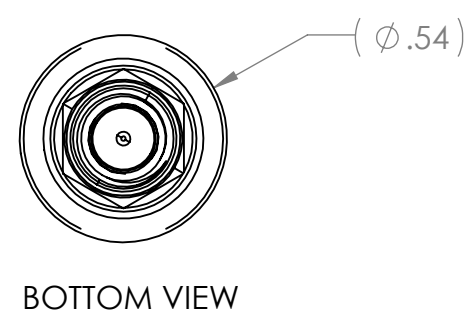
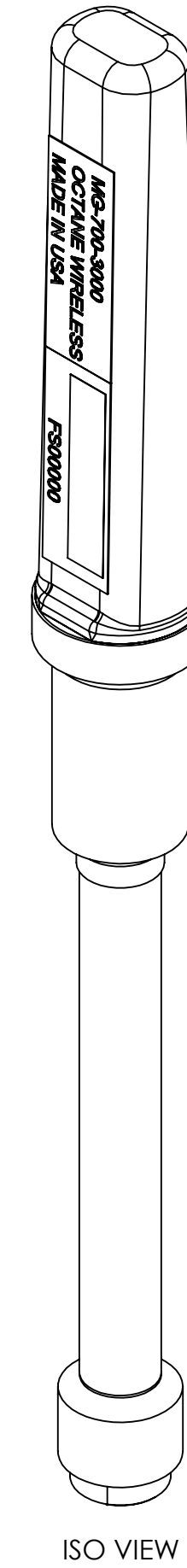
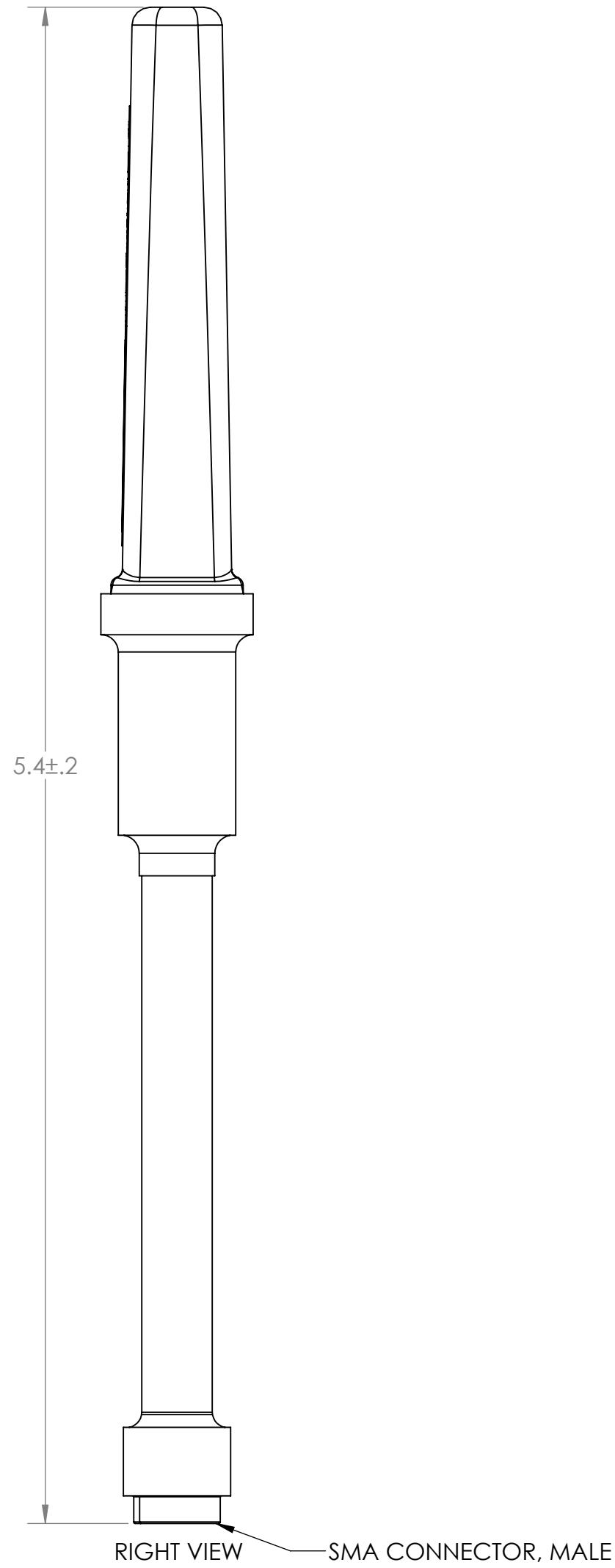
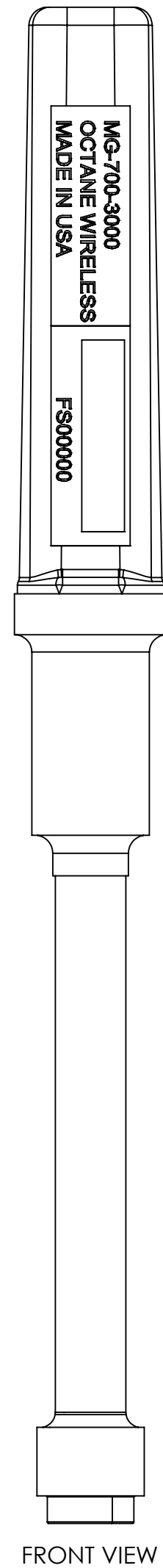


NOTES:

1. OCTANE P/N: 103543
2. TRACEABILITY: OCTANE S/N
3. ALL DIMENSIONS IN PARENTHESES () ARE REFERENCE ONLY.
6. PART MARKING: OCTANE MODEL NUMBER LABEL
5. FREQUENCY RANGE: 700-3000 MHz
6. WEIGHT: 0.5 OZ

REVISIONS				
ZONE	REV.	DESCRIPTION	DATE	APPROVED
N/A	A	DWG RELEASE	5/18/2021	BZG
	B	LENGTH CORRECTION	8/5/2021	CLQ



THIRD ANGLE PROJECTION

PROPRIETARY AND CONFIDENTIAL
THE INFORMATION CONTAINED IN THIS DRAWING IS THE SOLE PROPERTY OF OCTANE WIRELESS. ANY REPRODUCTION IN PART OR AS A WHOLE WITHOUT THE WRITTEN PERMISSION OF OCTANE WIRELESS IS PROHIBITED.

UNLESS OTHERWISE SPECIFIED: DIMENSIONS ARE IN INCHES	NAME	DATE	OCTANE WIRELESS 1340 CHARWOOD ROAD, SUITE L HANOVER, MD 21076
TOLERANCES: TWO PLACE DECIMAL ±.010 THREE PLACE DECIMAL ±.005 ANGULAR ±1°	DRAWN	BZG 05/17/21	
MATERIAL	CHECKED	CLQ 07/22/21	
FINISH	ENG APPR.	DN 05/16/21	
DO NOT SCALE DRAWING	MFG APPR.	AF 05/16/21	COMMENTS:

TITLE: ASSEMBLY, MINI-GOOSENECK ANTENNA, 700-3000 MHz, SMA MALE CONNECTOR		
SIZE	DWG. NO.	REV
C	MG-700-3000	B
SHEET SCALE 2:1		SHEET 1 OF 1