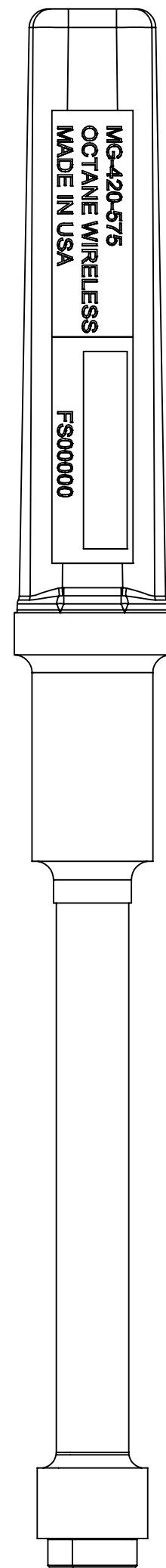


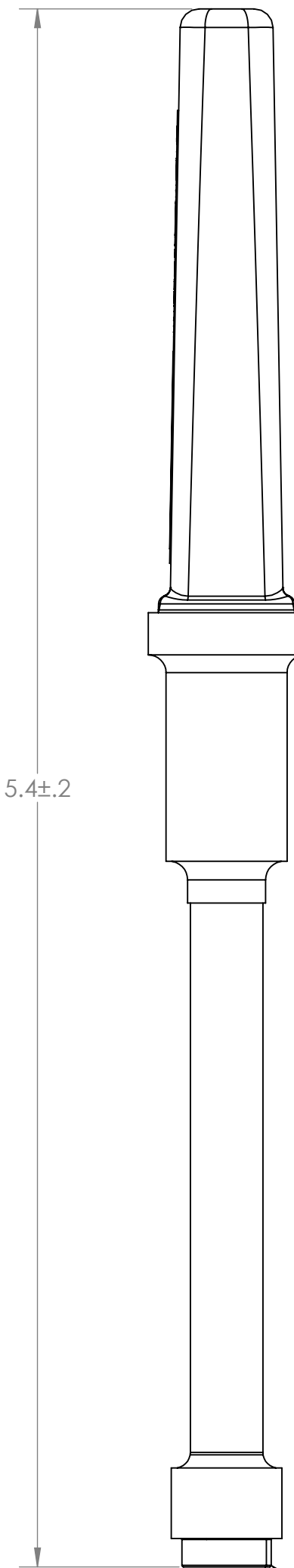
NOTES:

1. OCTANE P/N: 103151
2. TRACEABILITY: OCTANE S/N
3. ALL DIMENSIONS IN PARENTHESES () ARE REFERENCE ONLY.
6. PART MARKING: OCTANE MODEL NUMBER LABEL
5. FREQUENCY RANGE: 420-575 MHz
6. WEIGHT: 0.5 OZ

REVISIONS				
ZONE	REV.	DESCRIPTION	DATE	APPROVED
N/A	A	DWG RELEASE	7/15/2019	BZG
N/A	B	DWG UPDATE	7/23/2021	CLQ

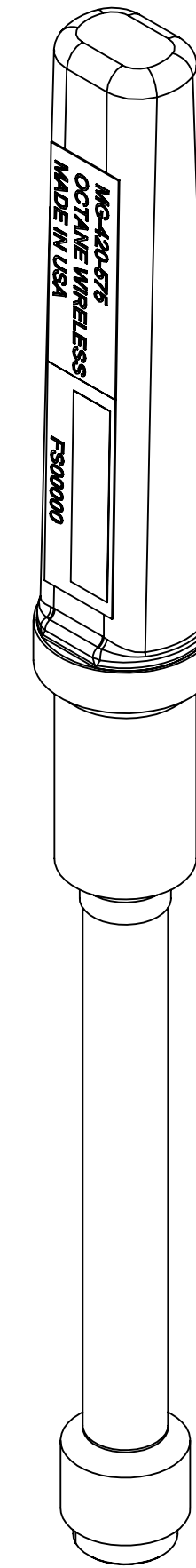


FRONT VIEW

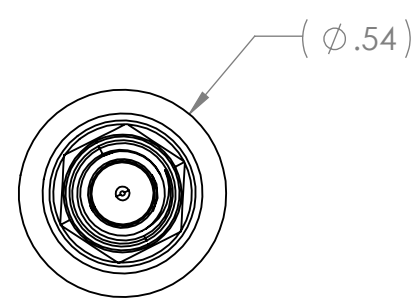


RIGHT VIEW

SMA CONNECTOR, MALE



ISO VIEW



BOTTOM VIEW

THIRD ANGLE PROJECTION

PROPRIETARY AND CONFIDENTIAL
 THE INFORMATION CONTAINED IN THIS DRAWING IS THE SOLE PROPERTY OF OCTANE WIRELESS. ANY REPRODUCTION IN PART OR AS A WHOLE WITHOUT THE WRITTEN PERMISSION OF OCTANE WIRELESS IS PROHIBITED.

UNLESS OTHERWISE SPECIFIED: DIMENSIONS ARE IN INCHES	DRAWN	BZG	07/15/19
TOLERANCES: TWO PLACE DECIMAL ±.010 THREE PLACE DECIMAL ±.005 ANGULAR ±1°	CHECKED	CLQ	07/23/21
MATERIAL	ENG APPR.	DN	07/15/19
SEE NOTES	MFG APPR.	AF	07/15/19
FINISH	COMMENTS:		
DO NOT SCALE DRAWING			

OCTANE WIRELESS
 1340 CHARWOOD ROAD, SUITE L
 HANOVER, MD 21076

TITLE:
**ASSEMBLY, MINI-GOOSENECK
 ANTENNA, 420-575 MHz, SMA
 MALE CONNECTOR**

SIZE	DWG. NO.	REV
C	MG-420-575	B

SHEET SCALE 2:1 SHEET 1 OF 1