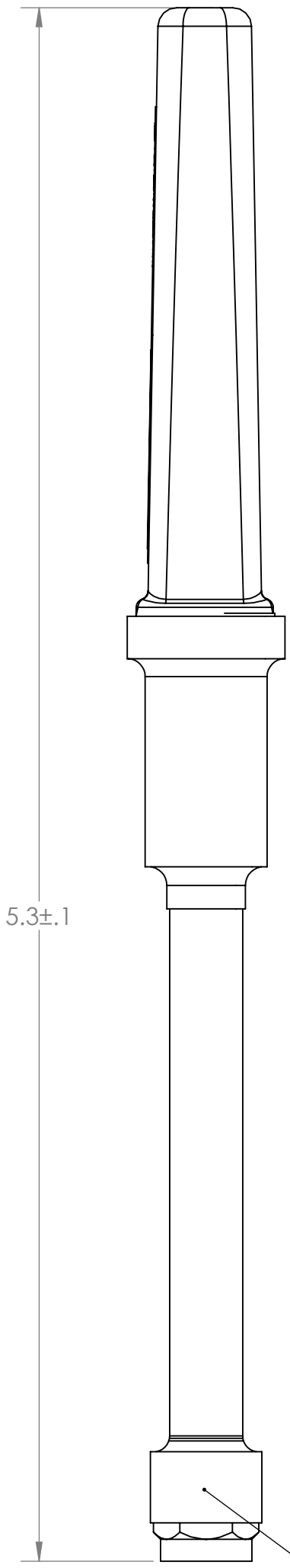
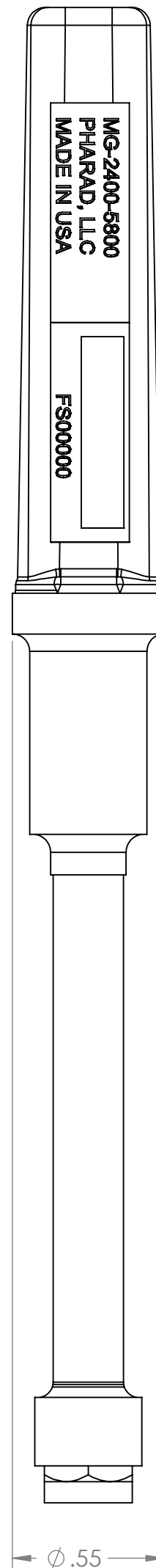


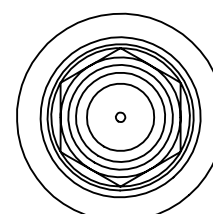
NOTES:

1. PHARAD P/N: 103002
2. TRACEABILITY: PHARAD S/N
3. PART MARKING: PHARAD MODEL NUMBER
4. FREQUENCY OF OPERATION: 2400/5800 MHz
5. WEIGHT: .5 OZ

REVISIONS				
ZONE	REV.	DESCRIPTION	DATE	APPROVED
N/A	A	ENG RELEASE	7/12/2019	BZG



SMA MALE CONNECTOR



PROPRIETARY AND CONFIDENTIAL
 THE INFORMATION CONTAINED IN THIS DRAWING IS THE SOLE PROPERTY OF PHARAD, LLC. ANY REPRODUCTION IN PART OR AS A WHOLE WITHOUT THE WRITTEN PERMISSION OF PHARAD, LLC IS PROHIBITED.

UNLESS OTHERWISE SPECIFIED:	NAME	DATE	PHARAD, LLC 1340 CHARWOOD ROAD, SUITE L HANOVER, MD 21076 TITLE: ASSEMBLY, MINI-GOOSENECK ANTENNA, 2400/5800 MHz SIZE DWG. NO. REV C MG-2400/5800 A SCALE: 2:1 SHEET 1 OF 1
DIMENSIONS ARE IN INCHES	DRAWN	BZG 7/12/2019	
TOLERANCES: TWO PLACE DECIMAL ±.010 THREE PLACE DECIMAL ±.005 ANGULAR ±1°	CHECKED		
MATERIAL	ENG APPR.		
FINISH	MFG APPR.		
DO NOT SCALE DRAWING	SEE NOTES		COMMENTS: