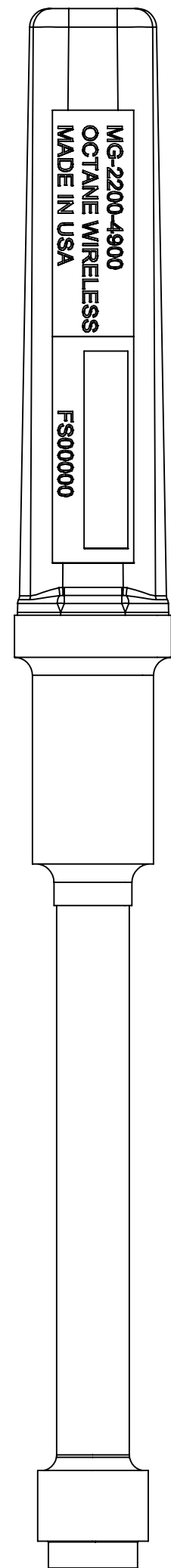


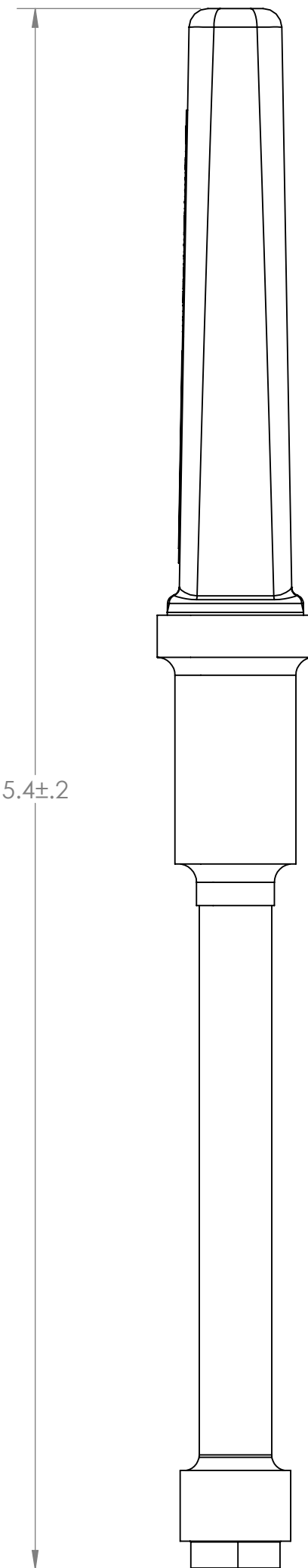
NOTES:

1. OCTANE P/N: 103393
2. TRACEABILITY: OCTANE S/N
3. ALL DIMENSIONS IN PARENTHESES () ARE REFERENCE ONLY.
6. PART MARKING: OCTANE MODEL NUMBER LABEL
5. FREQUENCY RANGE: 2200-2300/4400-4900 MHz
6. WEIGHT: 0.5 OZ

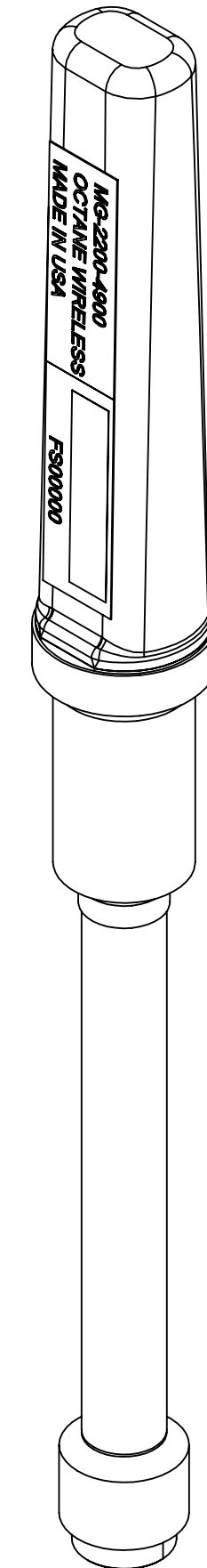
REVISIONS				
ZONE	REV.	DESCRIPTION	DATE	APPROVED
N/A	A	DWG RELEASE	9/11/2020	BZG
N/A	B	DWG UPDATE	7/28/2021	CLQ



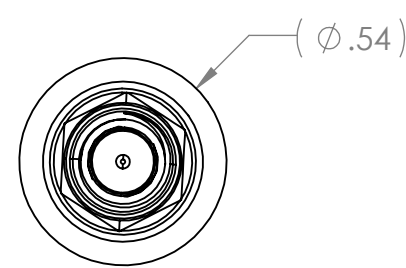
FRONT VIEW



RIGHT VIEW — SMA CONNECTOR, MALE



ISO VIEW



BOTTOM VIEW

THIRD ANGLE PROJECTION

PROPRIETARY AND CONFIDENTIAL
 THE INFORMATION CONTAINED IN THIS DRAWING IS THE SOLE PROPERTY OF OCTANE WIRELESS. ANY REPRODUCTION IN PART OR AS A WHOLE WITHOUT THE WRITTEN PERMISSION OF OCTANE WIRELESS IS PROHIBITED.

UNLESS OTHERWISE SPECIFIED:	NAME	DATE
DIMENSIONS ARE IN INCHES	DRAWN BZG	09/11/20
TOLERANCES:	CHECKED CLQ	07/28/21
TWO PLACE DECIMAL ±.010	ENG APPR. DN	09/11/21
THREE PLACE DECIMAL ±.005	MFG APPR. AF	09/11/21
ANGULAR ±1°	COMMENTS:	
MATERIAL	SEE NOTES	
FINISH	SEE NOTES	
DO NOT SCALE DRAWING		

OCTANE WIRELESS 1340 CHARWOOD ROAD, SUITE L HANOVER, MD 21076		
TITLE: ASSEMBLY, MINI-GOOSENECK ANTENNA, 2200-2300/4400-4900 MHz, SMA MALE CONNECTOR		
SIZE	DWG. NO.	REV
C	MG-2200-4900	B
SHEET SCALE 2:1		SHEET 1 OF 1