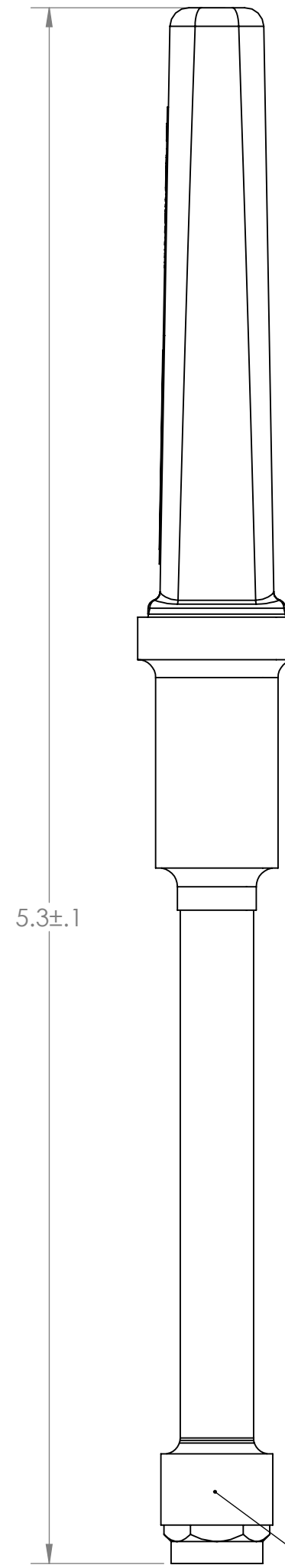
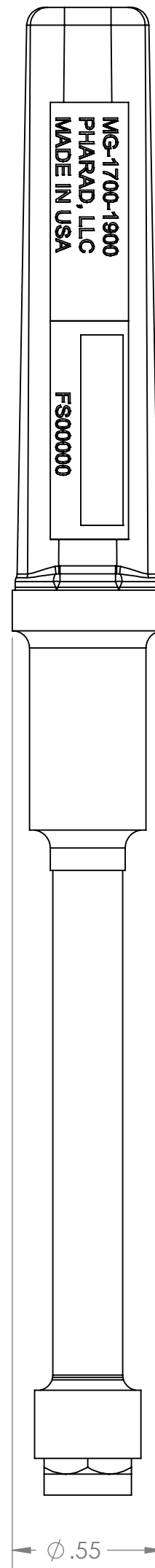
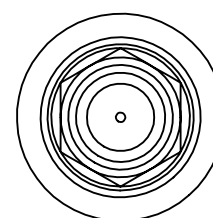


- NOTES:
1. PHARAD P/N: 102946
 2. TRACEABILITY: PHARAD S/N
 3. PART MARKING: PHARAD MODEL NUMBER
 4. FREQUENCY OF OPERATION: 1700-1900 MHz
 5. WEIGHT: .5 OZ

REVISIONS				
ZONE	REV.	DESCRIPTION	DATE	APPROVED
N/A	A	ENG RELEASE	7/15/2019	BZG



SMA MALE CONNECTOR



PROPRIETARY AND CONFIDENTIAL
 THE INFORMATION CONTAINED IN THIS DRAWING IS THE SOLE PROPERTY OF PHARAD, LLC. ANY REPRODUCTION IN PART OR AS A WHOLE WITHOUT THE WRITTEN PERMISSION OF PHARAD, LLC IS PROHIBITED.

UNLESS OTHERWISE SPECIFIED:	NAME	DATE	PHARAD, LLC 1340 CHARWOOD ROAD, SUITE L HANOVER, MD 21076 TITLE: ASSEMBLY, MINI-GOOSENECK ANTENNS, 1700-1900 MHz
DIMENSIONS ARE IN INCHES	DRAWN	BZG 7/15/2019	
TOLERANCES: TWO PLACE DECIMAL ±.010 THREE PLACE DECIMAL ±.005 ANGULAR ±1°	CHECKED		
MATERIAL	ENG APPR.		
SEE NOTES	MFG APPR.		COMMENTS:
FINISH			
DO NOT SCALE DRAWING			

SIZE	DWG. NO.	REV
C	MG-1700-1900	A
SCALE: 2:1		SHEET 1 OF 1