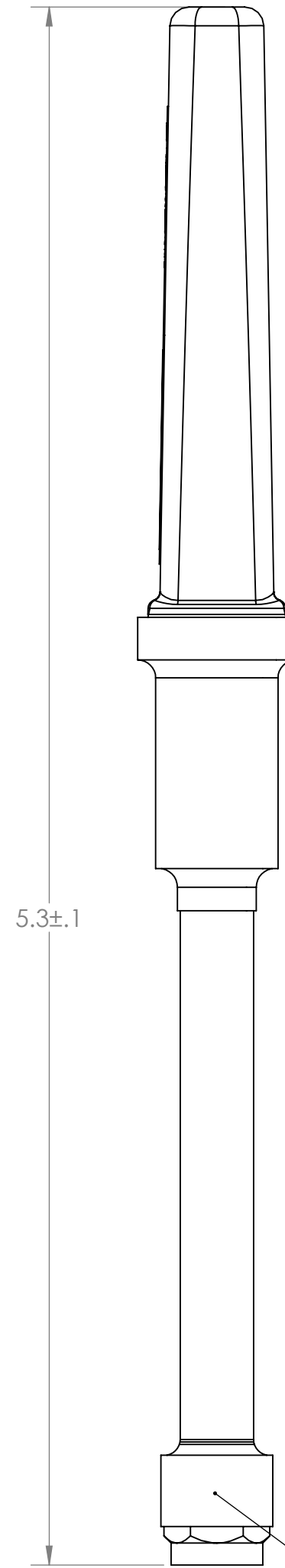
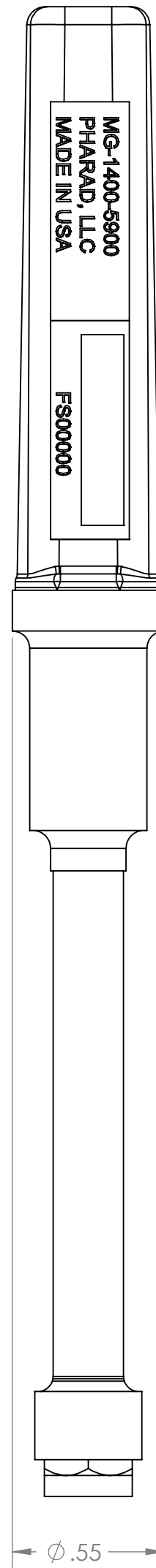


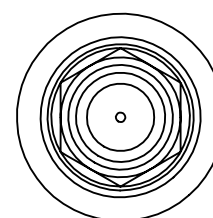
NOTES:

1. PHARAD P/N: 103152
2. TRACEABILITY: PHARAD S/N
3. PART MARKING: PHARAD MODEL NUMBER
4. FREQUENCY OF OPERATION: 1400-5900 MHz
5. WEIGHT: .5 OZ

| REVISIONS | | | | |
|-----------|------|-------------|-----------|----------|
| ZONE | REV. | DESCRIPTION | DATE | APPROVED |
| N/A | A | ENG RELEASE | 7/15/2019 | BZG |



SMA MALE CONNECTOR



PROPRIETARY AND CONFIDENTIAL
 THE INFORMATION CONTAINED IN THIS DRAWING IS THE SOLE PROPERTY OF PHARAD, LLC. ANY REPRODUCTION IN PART OR AS A WHOLE WITHOUT THE WRITTEN PERMISSION OF PHARAD, LLC IS PROHIBITED.

| | | | | |
|-----------------------------|-----------|------|---|-----------|
| UNLESS OTHERWISE SPECIFIED: | NAME | DATE | PHARAD, LLC 1340 CHARWOOD ROAD, SUITE L HANOVER, MD 21076 | |
| DIMENSIONS ARE IN INCHES | DRAWN | BZG | | 7/15/2019 |
| TOLERANCES: | CHECKED | | | |
| TWO PLACE DECIMAL ±.010 | ENG APPR. | | | |
| THREE PLACE DECIMAL ±.005 | MFG APPR. | | | |
| ANGULAR ±1° | | | | |
| MATERIAL | COMMENTS: | | | |
| SEE NOTES | | | | |
| FINISH | | | | |
| SEE NOTES | | | | |
| DO NOT SCALE DRAWING | | | | |

TITLE: ASSEMBLY, MINI-GOOSENECK ANTENNS, 1400-5900 MHz

| | | |
|------------|--------------|--------------|
| SIZE | DWG. NO. | REV |
| C | MG-1400-5900 | A |
| SCALE: 2:1 | | SHEET 1 OF 1 |