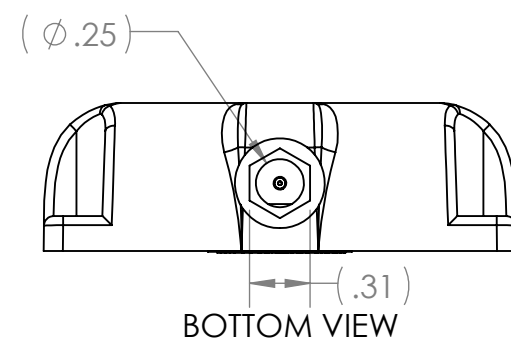
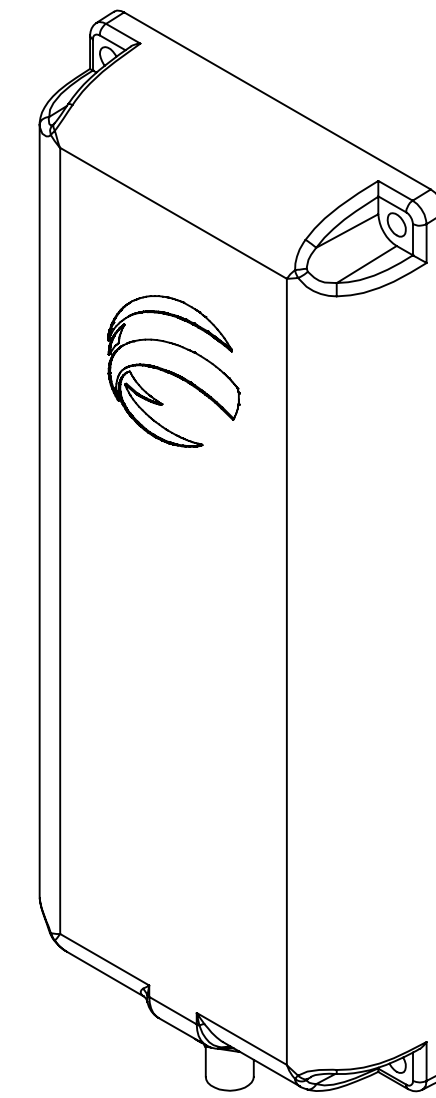
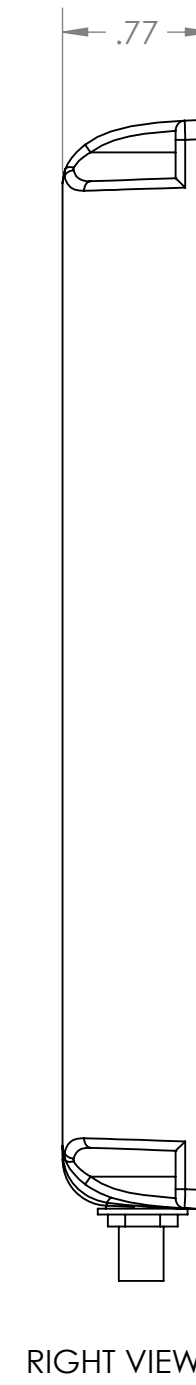
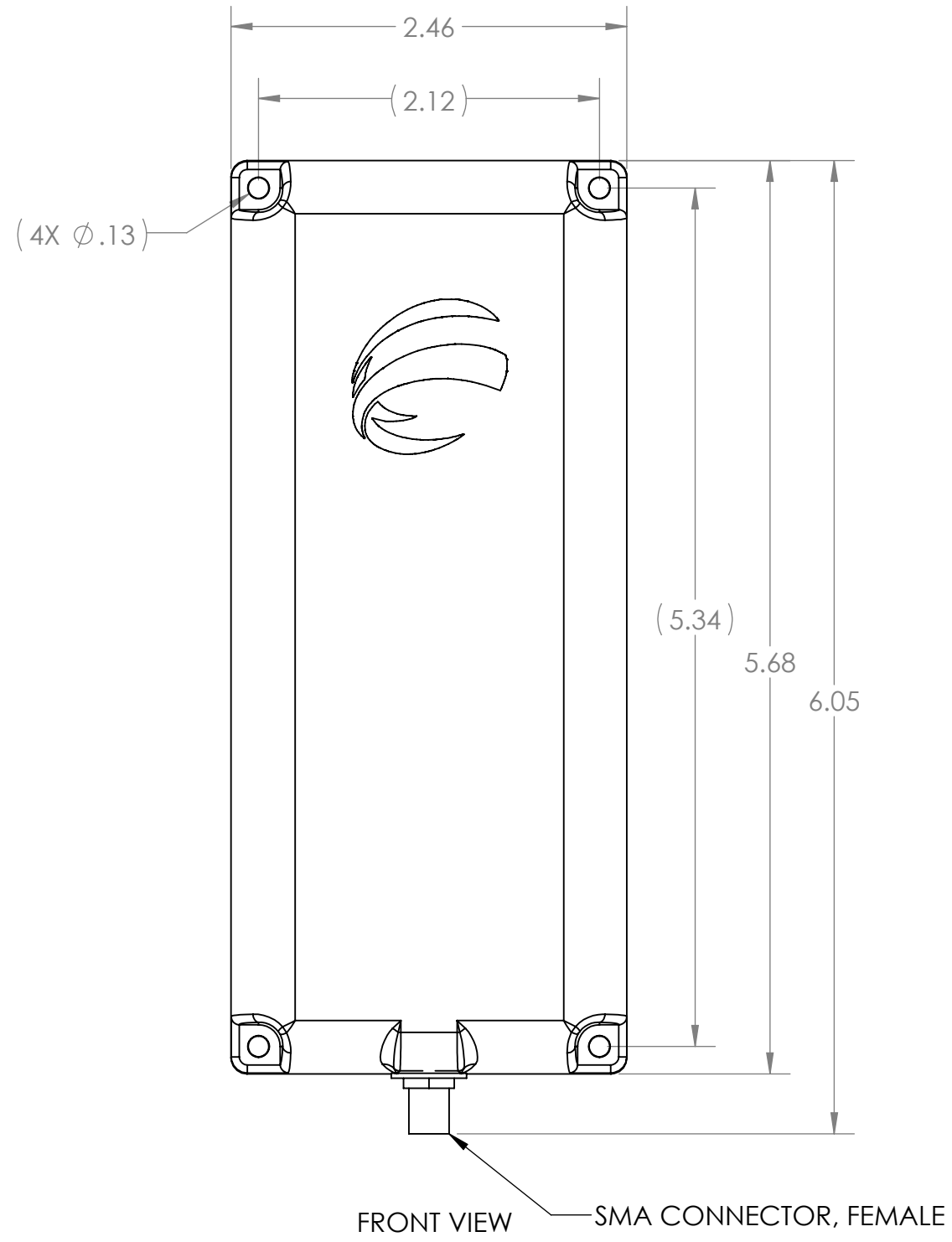


NOTES:

1. OCTANE P/N: 102850
2. TRACEABILITY: OCTANE S/N
3. ALL DIMENSIONS IN PARENTHESES () ARE REFERENCE ONLY.
4. PART MARKING: OCTANE MODEL NUMBER LABEL
5. FREQUENCY RANGE: 960-1210 MHz
6. WEIGHT: 3 OZ

REVISIONS				
ZONE	REV.	DESCRIPTION	DATE	APPROVED
N/A	A	DWG RELEASE	4/9/2019	BZG
N/A	B	DWG UPDATE	8/12/2021	CLQ



THIRD ANGLE PROJECTION

PROPRIETARY AND CONFIDENTIAL
THE INFORMATION CONTAINED IN THIS DRAWING IS THE SOLE PROPERTY OF OCTANE WIRELESS. ANY REPRODUCTION IN PART OR AS A WHOLE WITHOUT THE WRITTEN PERMISSION OF OCTANE WIRELESS IS PROHIBITED.

UNLESS OTHERWISE SPECIFIED:	NAME	DATE
DIMENSIONS ARE IN INCHES	DRAWN BZG	04/09/19
TOLERANCES:	CHECKED CLQ	08/12/21
TWO PLACE DECIMAL \pm .010	ENG APPR. DN	04/09/19
THREE PLACE DECIMAL \pm .005	MFG APPR. AF	04/09/19
ANGULAR \pm 1°	COMMENTS:	
MATERIAL	SEE NOTES	
FINISH	SEE NOTES	
DO NOT SCALE DRAWING		

OCTANE WIRELESS 1340 CHARWOOD ROAD, SUITE L HANOVER, MD 21076		
TITLE: ASSEMBLY, 960-1210 MHz, LOW PROFILE ADS-B ANTENNA, SMA FEMALE CONNECTOR		
SIZE	DWG. NO.	REV
C	LP-960-1210	B
SHEET SCALE 1:1		SHEET 1 OF 1