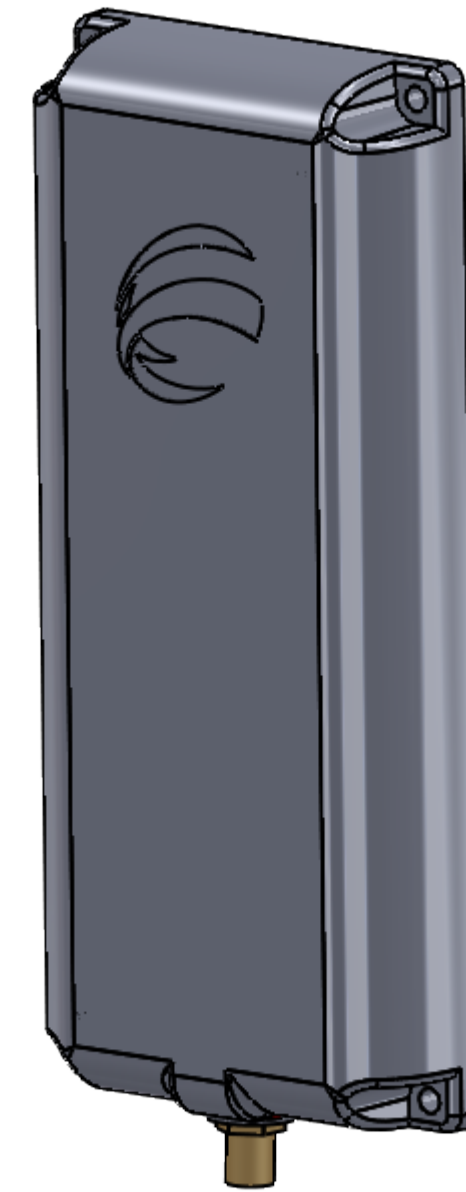
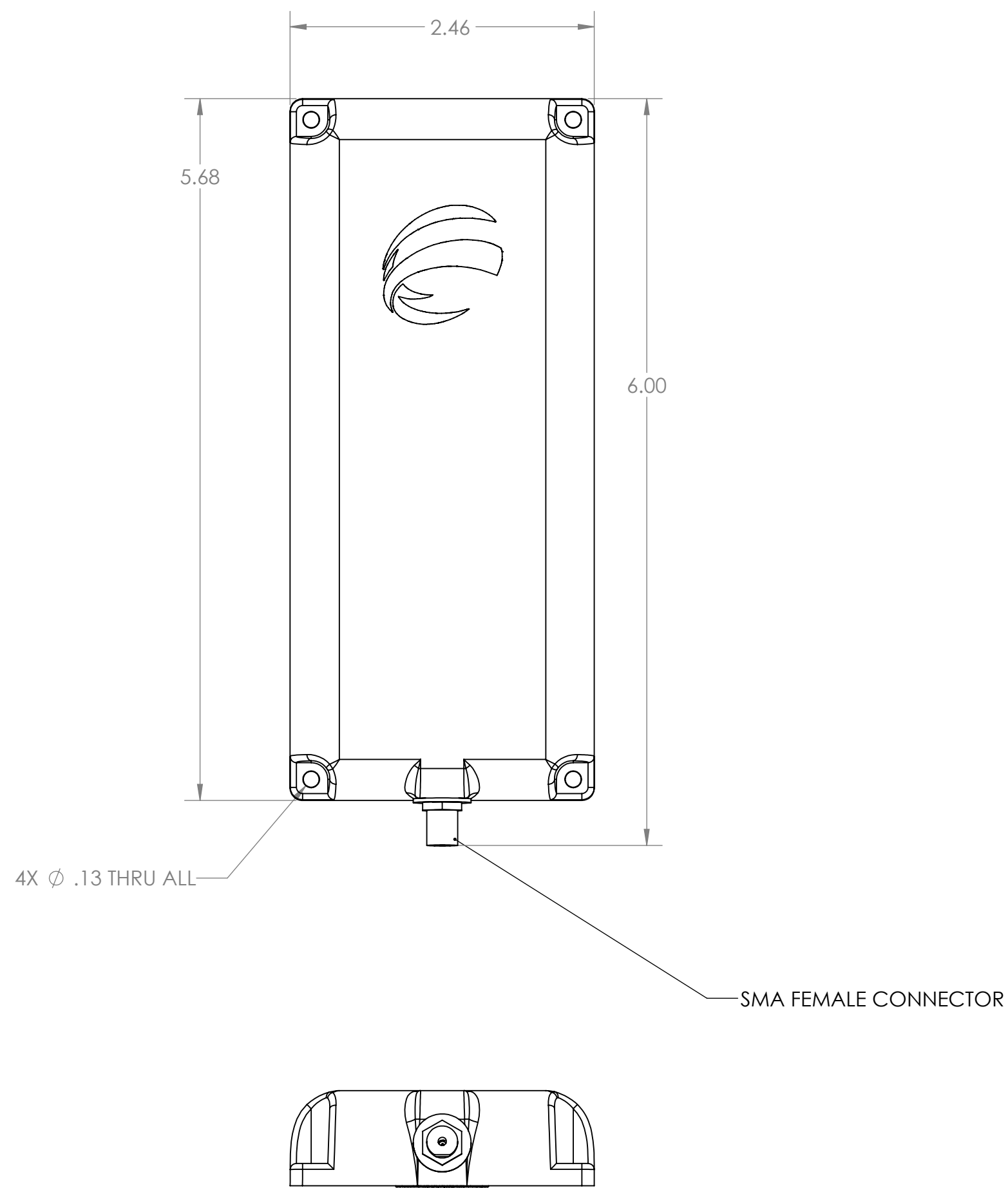


NOTES:

1. PHARAD P/N: 102295
2. TRACEABILITY: PHARAD S/N
3. PART MARKING: PHARAD MODEL NUMBER
4. FREQUENCY OF OPERATION: 700-3000 MHz
5. WEIGHT: 3 OZ

REVISIONS				
ZONE	REV.	DESCRIPTION	DATE	APPROVED
N/A	A-01	ENG RELEASE	7/13/2015	MSF
N/A	A-02	UPDATED VIEWS	8/7/2015	MSF
N/A	A-03	UPDATED DIMENSIONS, ADDED WASHER	4/8/2019	BZG



**PROPRIETARY AND CONFIDENTIAL**  
 THE INFORMATION CONTAINED IN THIS DRAWING IS THE SOLE PROPERTY OF PHARAD, LLC. ANY REPRODUCTION IN PART OR AS A WHOLE WITHOUT THE WRITTEN PERMISSION OF PHARAD, LLC IS PROHIBITED.

UNLESS OTHERWISE SPECIFIED:	NAME	DATE	PHARAD, LLC 1340 CHARWOOD ROAD, SUITE L HANOVER, MD 21076  TITLE: <b>ASSEMBLY, 700-3000 MHz,                  LOW PROFILE LTE ANTENNA</b>
DIMENSIONS ARE IN INCHES	DRAWN	MSF 6/3/2015	
TOLERANCES: TWO PLACE DECIMAL ±.010 THREE PLACE DECIMAL ±.005 ANGULAR ±1°	CHECKED	AF 6/3/2015	
MATERIAL	ENG APPR.	DN 7/31/2015	
SEE NOTES	MFG APPR.	BZG 4/9/2019	COMMENTS:
FINISH	DO NOT SCALE DRAWING		SIZE DWG. NO. REV <b>C LP-700-3000 A-03</b>
SCALE: 1:1			SHEET 1 OF 1