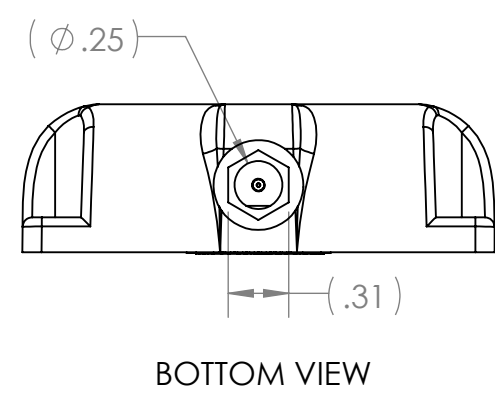
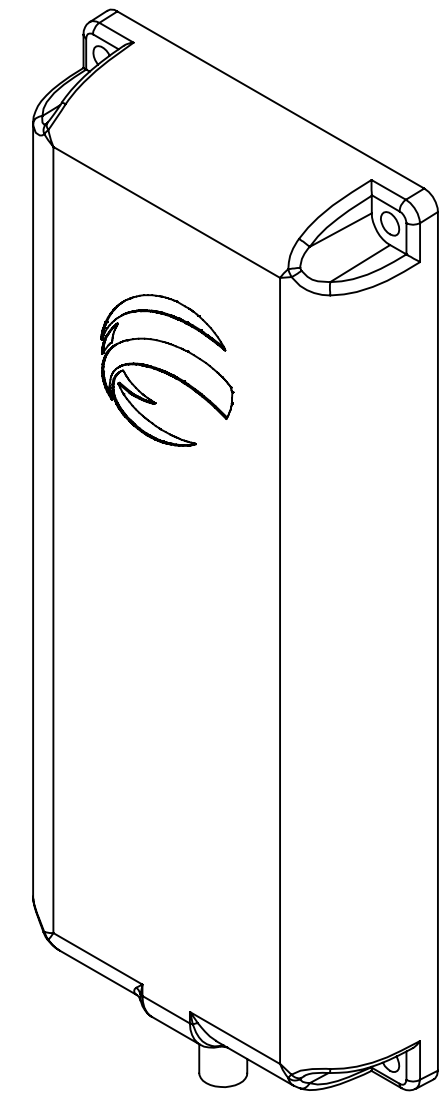
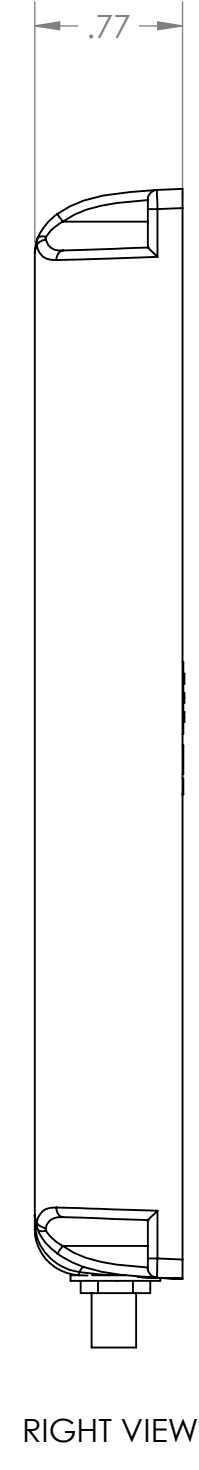
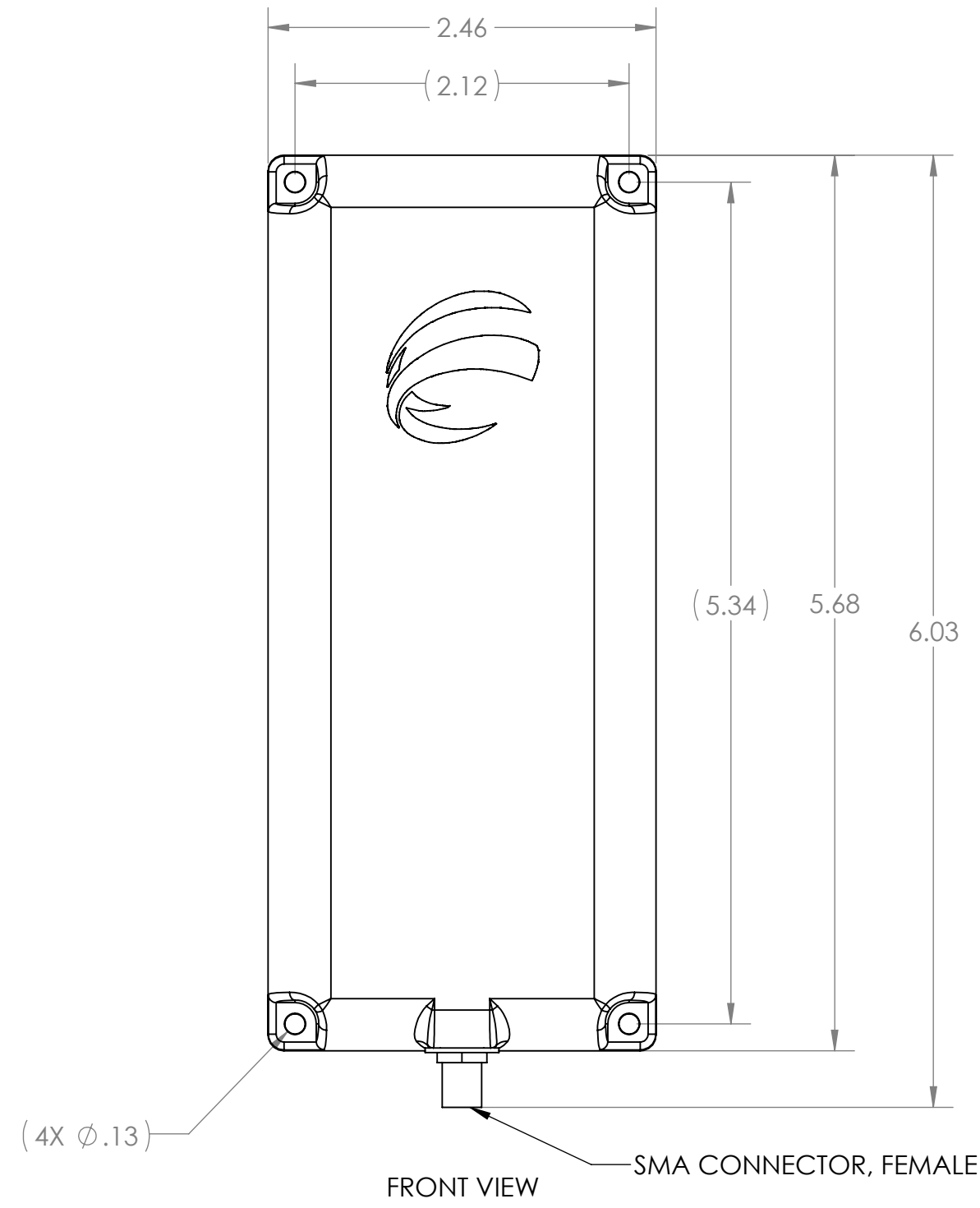


NOTES:

1. OCTANE P/N: 102533
2. TRACEABILITY: OCTANE S/N
3. ALL DIMENSIONS IN PARENTHESES () ARE REFERENCE ONLY.
4. PART MARKING: OCTANE MODEL NUMBER LABEL
5. FREQUENCY RANGE: 3000-10000 MHz
6. WEIGHT: 3 OZ

REVISIONS				
ZONE	REV.	DESCRIPTION	DATE	APPROVED
N/A	A-01	ENG RELEASE	8/12/2015	MSF
N/A	A-02	UPDATED DIMENSIONS, ADDED WASHER	4/8/2019	BZG
N/A	B	ADDED MOUNTING PATTERN	2/23/2021	BZG
N/A	C	DWG UPDATE	11/9/2021	BZG



THIRD ANGLE PROJECTION

PROPRIETARY AND CONFIDENTIAL
 THE INFORMATION CONTAINED IN THIS DRAWING IS THE SOLE PROPERTY OF OCTANE WIRELESS. ANY REPRODUCTION IN PART OR AS A WHOLE WITHOUT THE WRITTEN PERMISSION OF OCTANE WIRELESS IS PROHIBITED.

UNLESS OTHERWISE SPECIFIED:	NAME	DATE
DIMENSIONS ARE IN INCHES	DRAWN MSF	08/12/15
TOLERANCES:	CHECKED CLQ	11/17/21
TWO PLACE DECIMAL ±.010	ENG APPR. DN	11/09/21
THREE PLACE DECIMAL ±.005	MFG APPR. AF	11/09/21
ANGULAR ±1°	COMMENTS:	
MATERIAL	SEE NOTES	
FINISH	SEE NOTES	
DO NOT SCALE DRAWING		

OCTANE WIRELESS
 1340 CHARWOOD ROAD, SUITE L
 HANOVER, MD 21076

TITLE:
 ASSEMBLY, 3000-10000 MHz,
 LOW PROFILE UWB ANTENNA,
 SMA FEMALE CONNECTOR

SIZE	DWG. NO.	REV
C	LP-3000-10000	C

SHEET SCALE 1:1 SHEET 1 OF 1