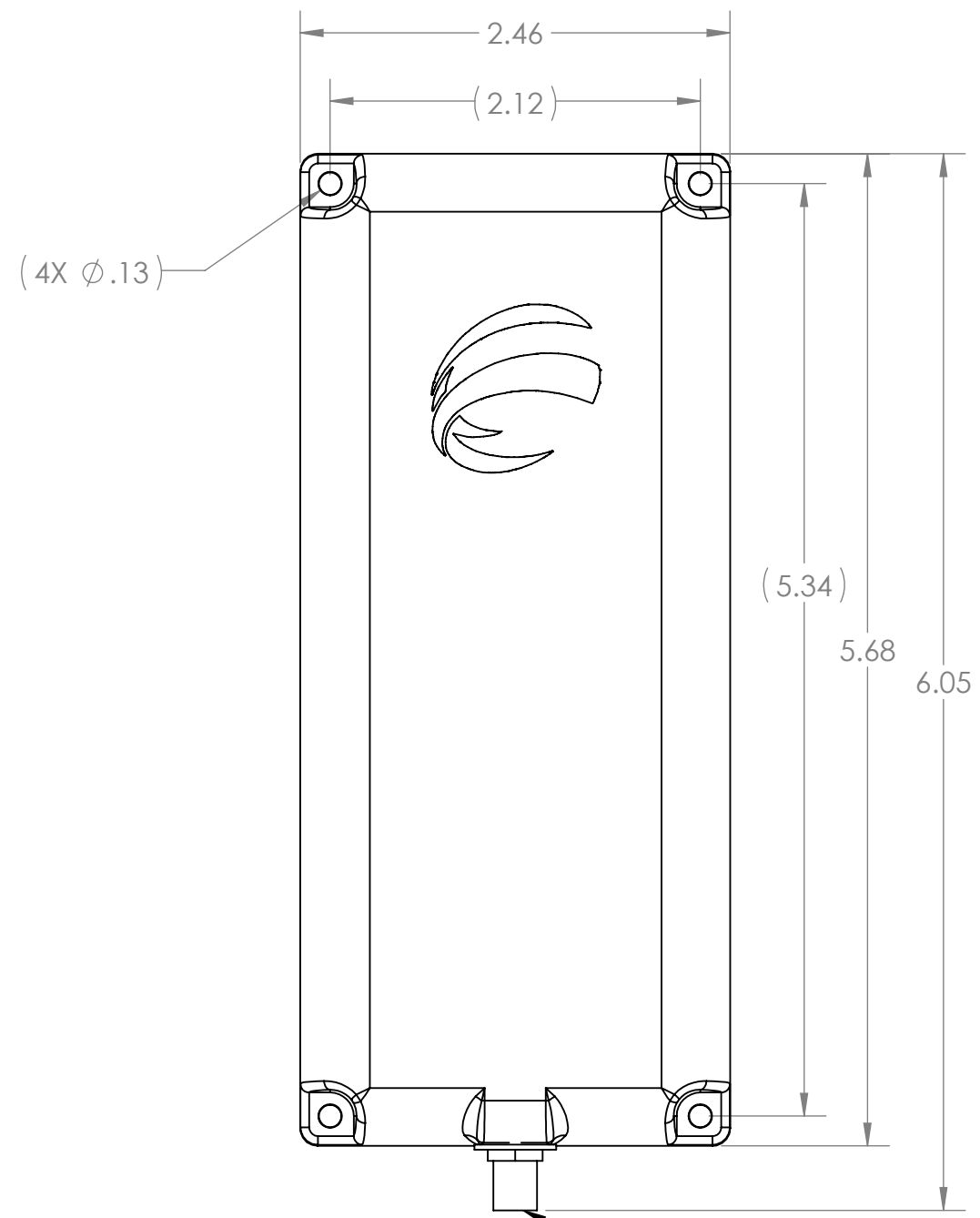


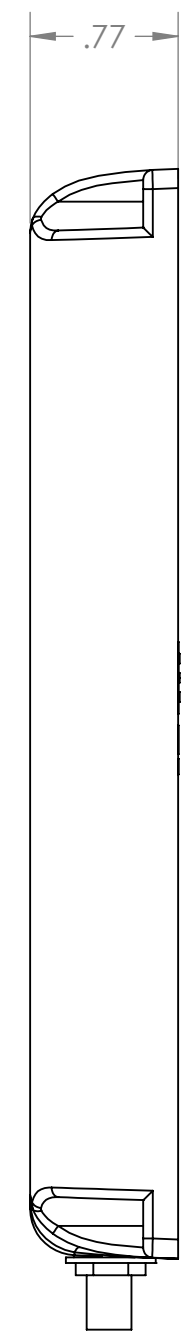
NOTES:

1. OCTANE P/N: 102489
2. TRACEABILITY: OCTANE S/N
3. ALL DIMENSIONS IN PARENTHESES () ARE REFERENCE ONLY.
4. PART MARKING: OCTANE MODEL NUMBER LABEL
5. FREQUENCY RANGE: 2400-6000 MHz
6. WEIGHT: 3 OZ

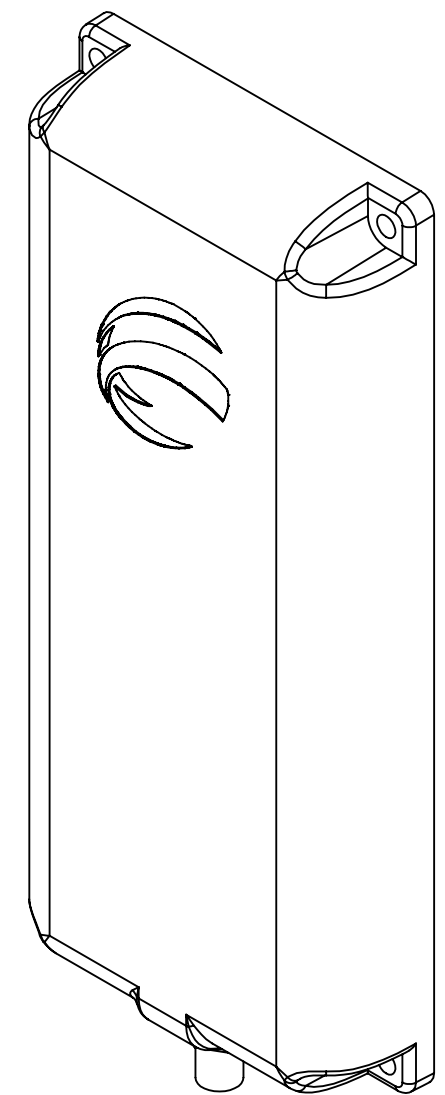
REVISIONS				
ZONE	REV.	DESCRIPTION	DATE	APPROVED
N/A	A-01	ENG RELEASE	6/15/2015	MSF
N/A	A-02	ADDED DIMS	8/7/2015	MSF
N/A	A-03	ADDED WASHER, UPDATED VIEWS	4/8/2019	BZG
N/A	B	ADDED MOUNTING PATTERN	2/23/2021	BZG
N/A	C	DWG UPDATE	6/4/2021	CLQ



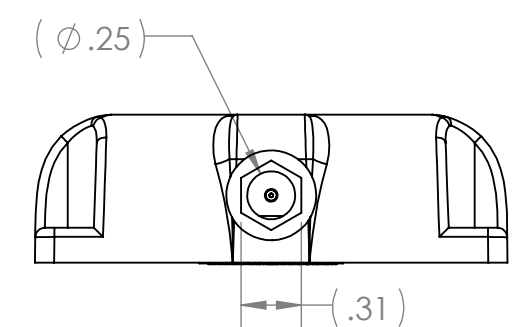
FRONT VIEW
SMA CONNECTOR, FEMALE



RIGHT VIEW



ISO VIEW



BOTTOM VIEW

THIRD ANGLE PROJECTION

PROPRIETARY AND CONFIDENTIAL
THE INFORMATION CONTAINED IN THIS DRAWING IS THE SOLE PROPERTY OF OCTANE WIRELESS. ANY REPRODUCTION IN PART OR AS A WHOLE WITHOUT THE WRITTEN PERMISSION OF OCTANE WIRELESS IS PROHIBITED.

UNLESS OTHERWISE SPECIFIED:	NAME	DATE
DIMENSIONS ARE IN INCHES	DRAWN DJG	06/15/15
TOLERANCES:	CHECKED CLQ	06/04/21
TWO PLACE DECIMAL ±.010	ENG APPR. DN	08/06/15
THREE PLACE DECIMAL ±.005	MFG APPR. AF	08/06/15
ANGULAR ±1°	COMMENTS:	
MATERIAL	SEE NOTES	
FINISH	SEE NOTES	
DO NOT SCALE DRAWING		

OCTANE WIRELESS
1340 CHARWOOD ROAD, SUITE L
HANOVER, MD 21076

TITLE:
ASSEMBLY, 2400-6000 MHz, LOW PROFILE ANTENNA, SMA FEMALE CONNECTOR

SIZE	DWG. NO.	REV
C	LP-2400-6000	C

SHEET SCALE 1:1 SHEET 1 OF 1