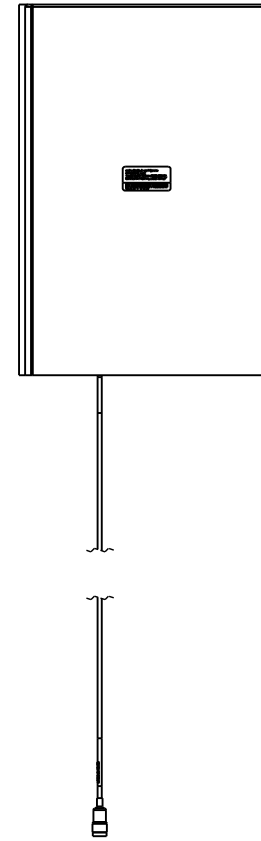
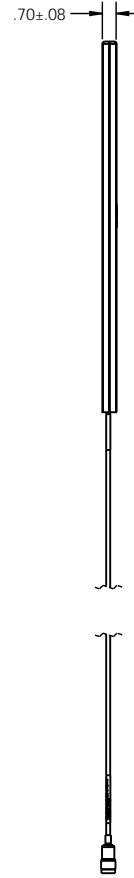
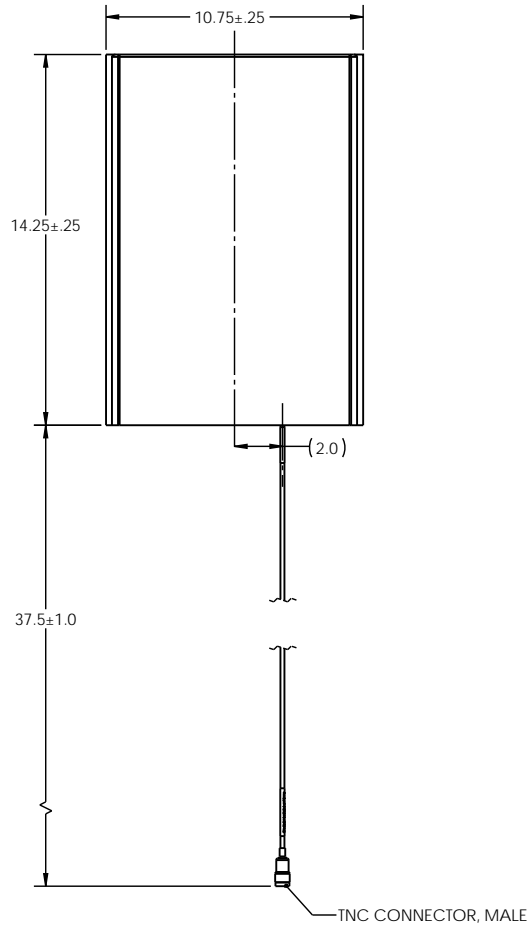


- NOTES:
1. PHARAD P/N: 102163
 2. TRACEABILITY: PHARAD S/N
 3. PART MARKING: PHARAD MODEL NUMBER
 4. FREQUENCY OF OPERATION: 225-6000 MHZ
 5. WEIGHT: 10 OZ

REVISIONS				
ZONE	REV.	DESCRIPTION	DATE	APPROVED
N/A	A-01	ENG RELEASE	11/15/2013	HJJ



PROPRIETARY AND CONFIDENTIAL
 THE INFORMATION CONTAINED IN THIS DRAWING IS THE SOLE PROPERTY OF PHARAD, LLC. ANY REPRODUCTION IN PART OR AS A WHOLE WITHOUT THE WRITTEN PERMISSION OF PHARAD, LLC IS PROHIBITED.

UNLESS OTHERWISE SPECIFIED:		NAME	DATE	PHARAD, LLC 1340 CHARWOOD ROAD, SUITE L HANOVER, MD 21076 TITLE: WEARABLE, 225-6000 MHZ, IOTV									
DIMENSIONS ARE IN INCHES		DRAWN	HJJ 10/29/2013										
TOLERANCES:		CHECKED	DG 10/29/2013										
TWO PLACE DECIMAL ±.010		ENG APPR	DN 10/29/2013										
THREE PLACE DECIMAL ±.005		MFG APPR	AF 10/29/2013	<table border="1"> <tr> <td>SIZE</td> <td>DWG. NO.</td> <td>REV</td> </tr> <tr> <td>C</td> <td>BW-225-6000-I</td> <td>A-01</td> </tr> <tr> <td colspan="2">SCALE: 1:8</td> <td>SHEET 1 OF 1</td> </tr> </table>	SIZE	DWG. NO.	REV	C	BW-225-6000-I	A-01	SCALE: 1:8		SHEET 1 OF 1
SIZE	DWG. NO.	REV											
C	BW-225-6000-I	A-01											
SCALE: 1:8		SHEET 1 OF 1											
ANGULAR ±.1°		COMMENTS:											
MATERIAL		SEE NOTES											
FINISH		SEE NOTES											
DO NOT SCALE DRAWING													